



US00D697183S

(12) **United States Design Patent**
Sital et al.

(10) **Patent No.:** **US D697,183 S**

(45) **Date of Patent:** **** Jan. 7, 2014**

(54) **WALK IN BATHTUB**

(75) Inventors: **Addiel Sital**, Keller, TX (US); **Alison Lyons**, Morristown, NJ (US)

(73) Assignee: **Safety Tubs Company, L.L.C.**, Piscataway, NJ (US)

(**) Term: **14 Years**

(21) Appl. No.: **29/432,269**

(22) Filed: **Sep. 14, 2012**

(51) **LOC (10) Cl.** **23-02**

(52) **U.S. Cl.**
USPC **D23/279**

(58) **Field of Classification Search**
USPC D23/279, 304-306; 4/555-557, 546, 4/578.1, 590

See application file for complete search history.

(56) **References Cited**

U.S. PATENT DOCUMENTS

D355,245 S * 2/1995 Sills et al. D23/279
5,446,929 A * 9/1995 Sills et al. 4/555
5,701,614 A * 12/1997 Appleford et al. 4/555

* cited by examiner

Primary Examiner — Robert Delehanty

(74) *Attorney, Agent, or Firm* — Flaster/Greenberg P.C.

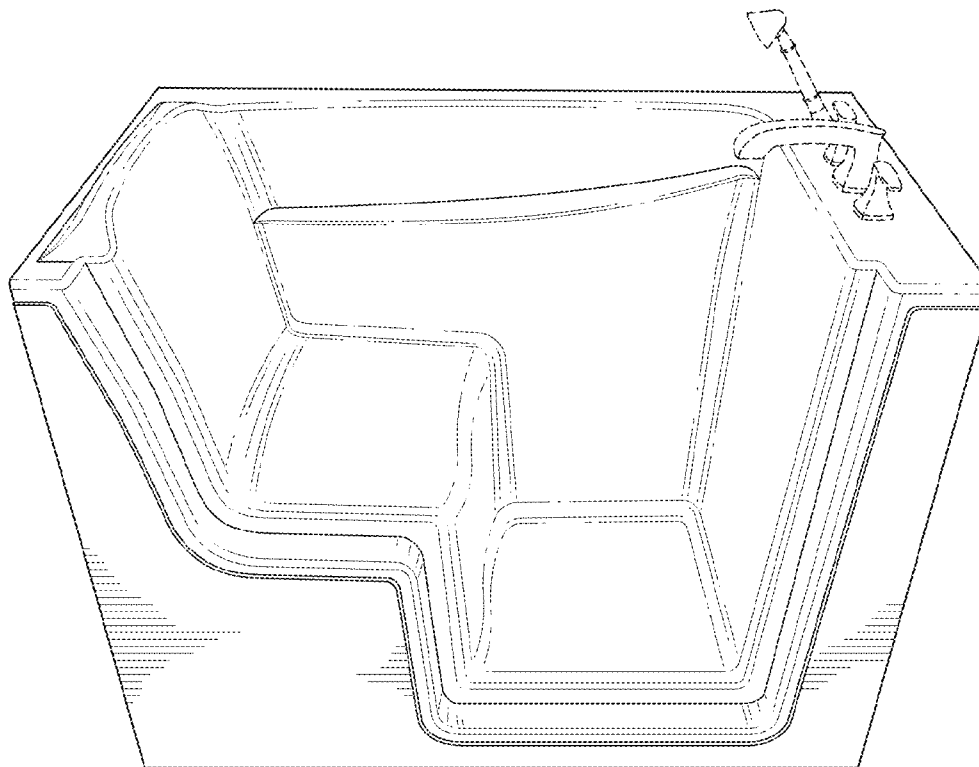
(57) **CLAIM**

The ornamental design for a walk in bathtub, as shown and described.

DESCRIPTION

Fig. 1 is a front elevational view of a walk in bathtub with a door removed;
FIG. 2 is a perspective view of the walk in bathtub of FIG. 1;
FIG. 3 is an isometric view of the walk in bathtub of FIG. 1;
FIG. 4 is a front elevational view of a walk in bathtub with a door attached;
FIG. 5 is a perspective view of the walk in bathtub of FIG. 4;
FIG. 6 is a top plan view of the walk in bathtub of FIG. 4; and
FIG. 7 is a sectional view of the walk in bathtub of FIG. 4 taken at A-A.

1 Claim, 7 Drawing Sheets



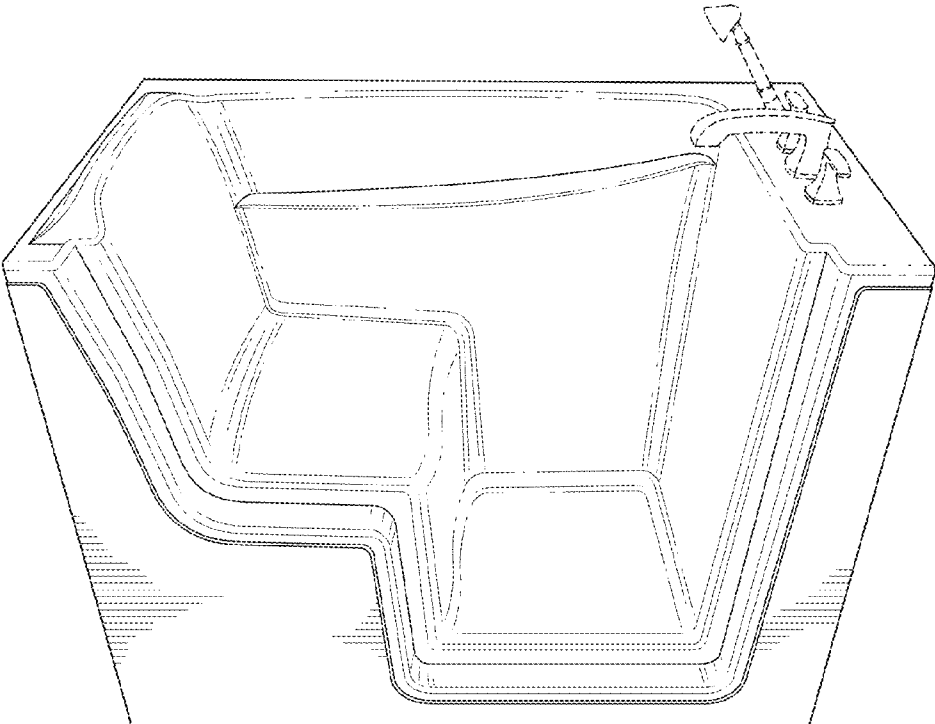


FIG. 1

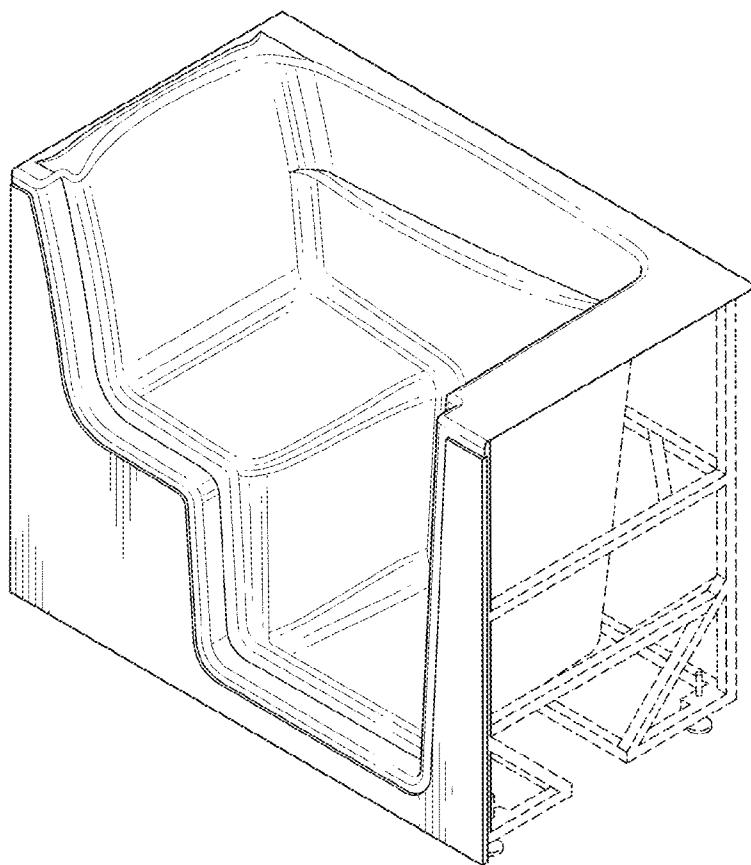


FIG.2

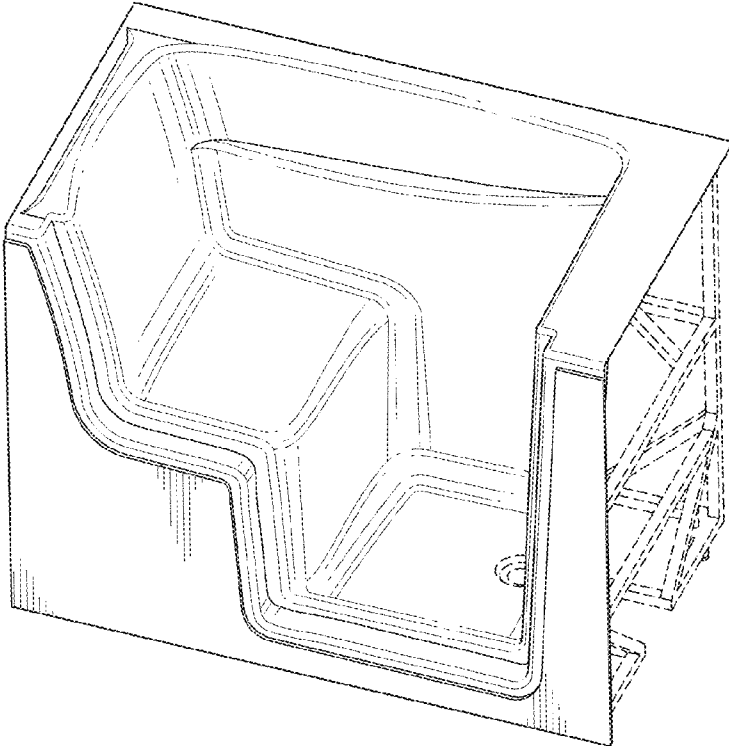


FIG.3

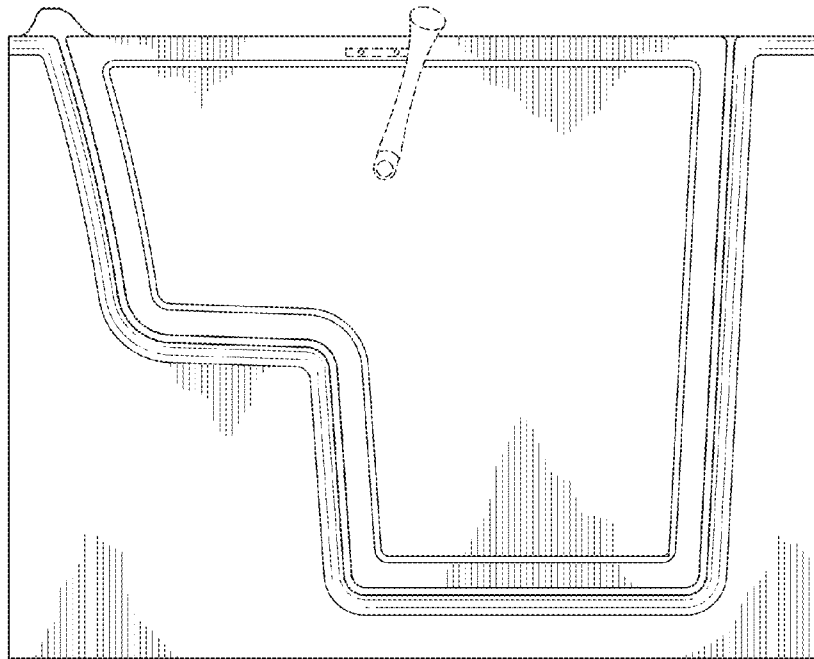


FIG.4

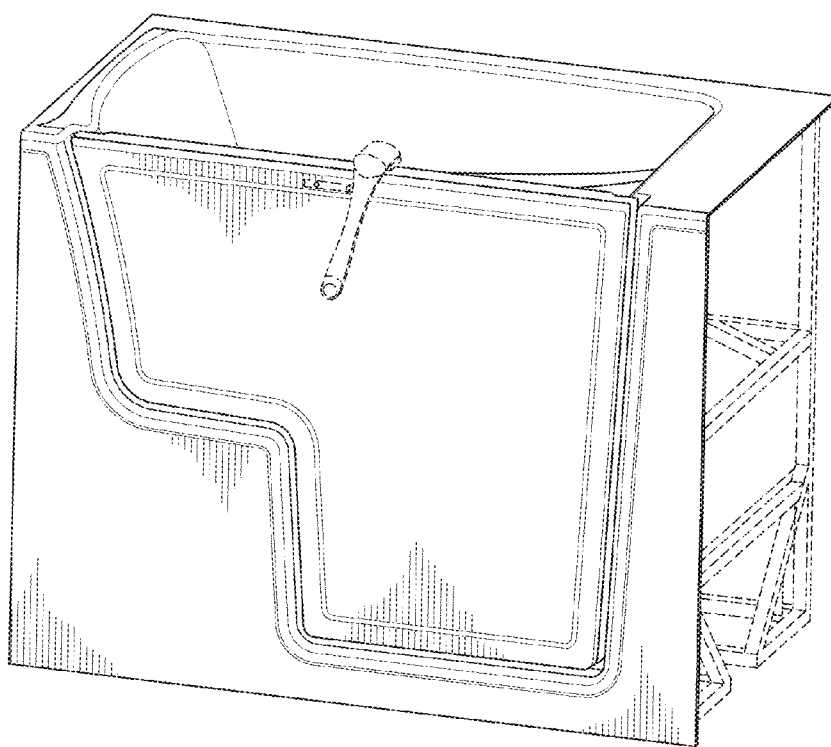


FIG. 5

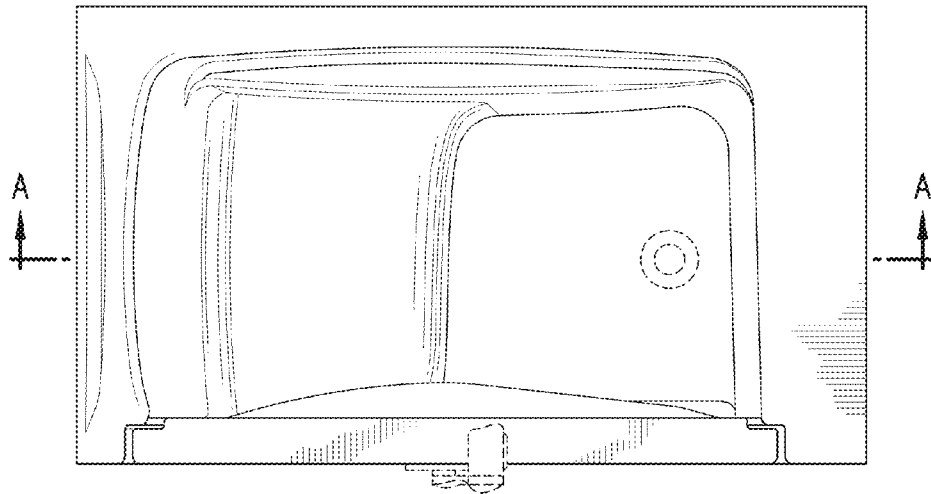


FIG. 6

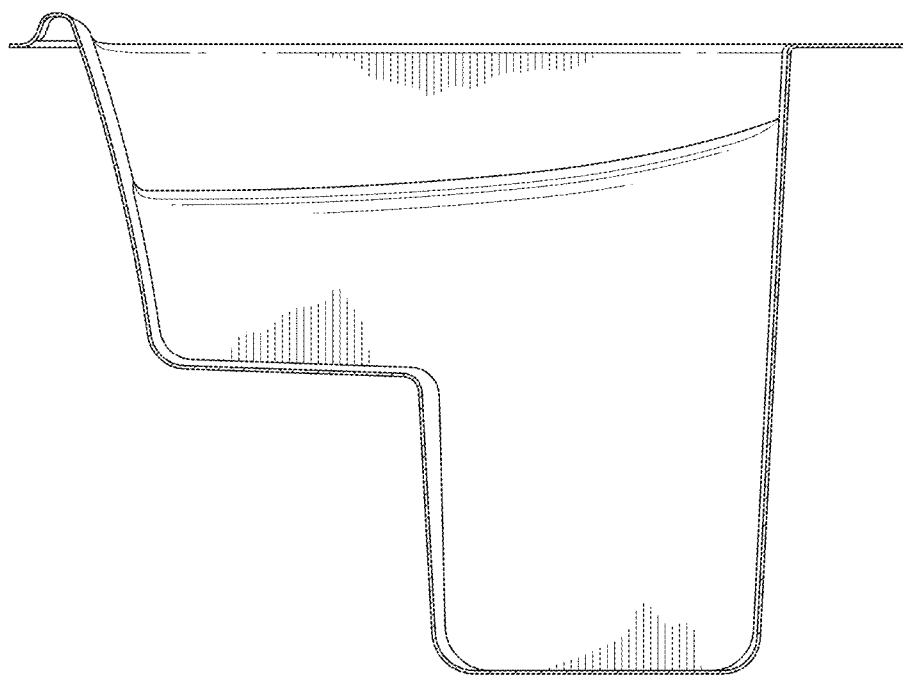


FIG. 7