

[54] HAIR DRYER

D. 268,369 3/1983 McBrien D28/13
D. 280,558 9/1985 Lazar et al. D28/13

[75] Inventors: Stephen A. Francis, Milford; Ronald L. Muller, Old Saybrook, both of Conn.

OTHER PUBLICATIONS

HFD-Retailing Home Furnishings, 2/2/81, p. 29-Helen of Troy Blow Dryer at center right. Modern Salon, 9/1982, p. 31-Forfex Dryer.

[73] Assignee: North American Philips Corp., New York, N.Y.

Primary Examiner—Louis S. Zarfes
Attorney, Agent, or Firm—Ernestine C. Bartlett

[**] Term: 14 Years

[57] CLAIM

[21] Appl. No.: 946,246

The ornamental design for a hair dryer, as shown and described.

[22] Filed: Dec. 24, 1986

[52] U.S. Cl. D28/13

[58] Field of Search D28/9-18;
219/222; 34/96-101; 132/7, 9

DESCRIPTION

[56] References Cited

U.S. PATENT DOCUMENTS

D. 252,952 9/1979 Wistrand D28/13
D. 258,014 1/1981 Lam D28/13
D. 268,290 3/1983 McBrien D28/13

FIG. 1 is a front elevational view of a hair dryer showing our new design; FIG. 2 is a left side elevational view thereof; FIG. 3 is a top plan view thereof; FIG. 4 is a rear elevational view thereof; FIG. 5 is a right side elevational view thereof; and FIG. 6 is a bottom plan view thereof.

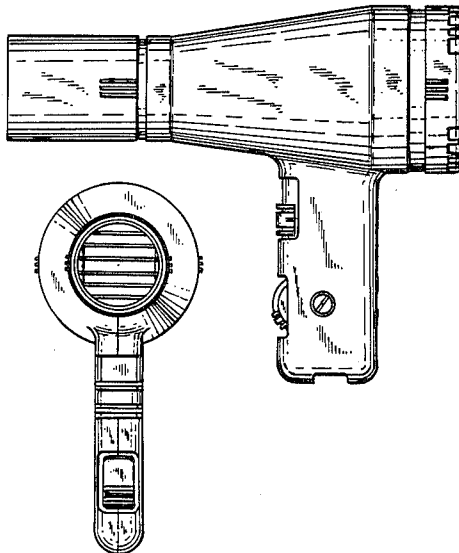


FIG. 1

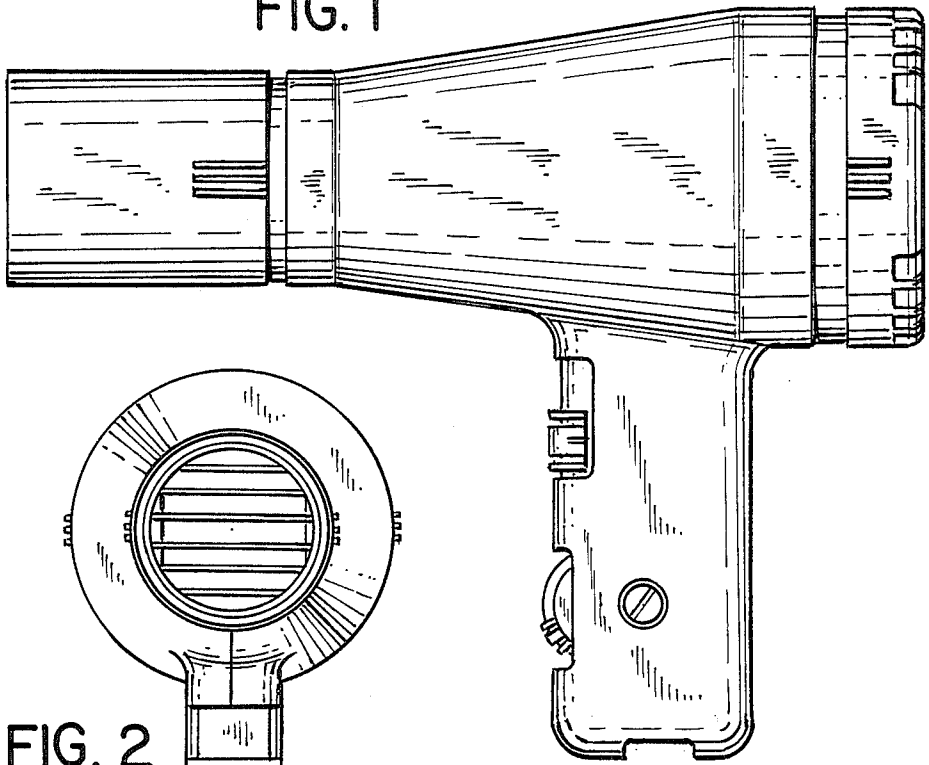


FIG. 2

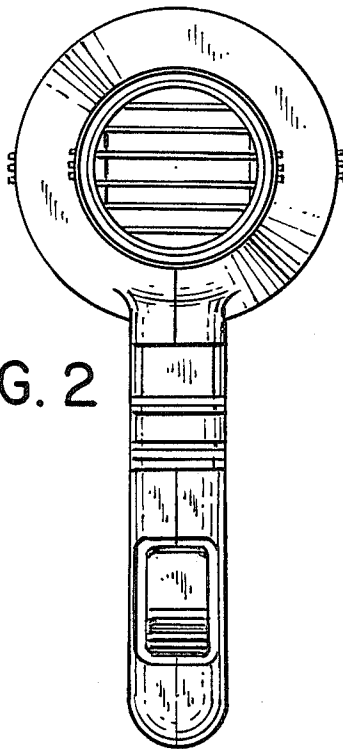


FIG. 3

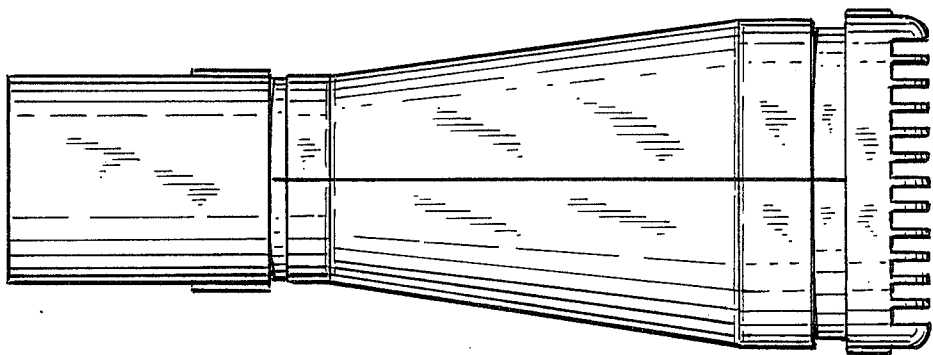


FIG. 4

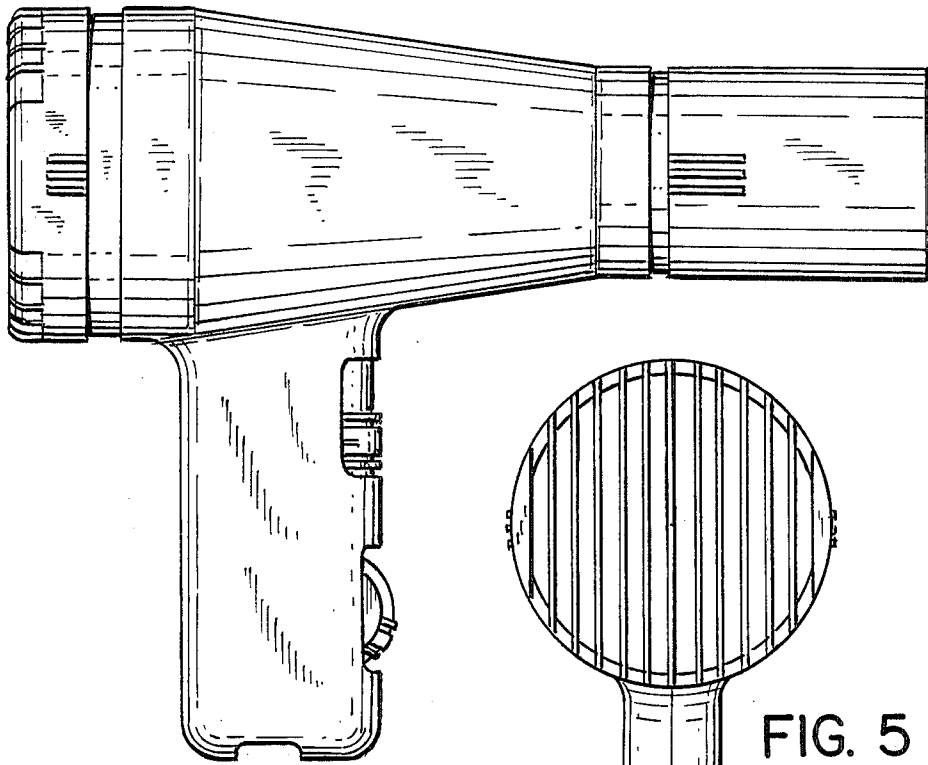


FIG. 5

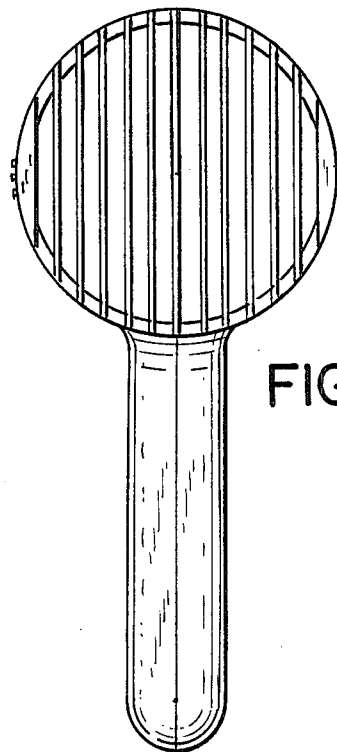


FIG. 6

