



US00D548875S

(12) **United States Design Patent**  
**Schieber**

(10) **Patent No.:** **US D548,875 S**

(45) **Date of Patent:** **\*\* Aug. 14, 2007**

(54) **LAMP SHADE**

(74) *Attorney, Agent, or Firm*—Smith, Gambrell & Russell LLP

(76) Inventor: **Joerg Schieber**, Rosengartenstrasse 96, Stuttgart (DE) 70184

(57) **CLAIM**

(\*\*) Term: **14 Years**

The ornamental design for a lamp shade, as shown and described.

(21) Appl. No.: **29/245,406**

(22) Filed: **Dec. 22, 2005**

**DESCRIPTION**

(51) **LOC (8) Cl.** ..... **26-03**

FIG. 1 is a perspective view of a lamp shade of the present invention;

(52) **U.S. Cl.** ..... **D26/93**

FIG. 2 is a top plan view thereof;

(58) **Field of Classification Search** ..... D26/93-112, D26/118, 119, 128-138; 362/311, 317, 351-361, 362/410-414, 806, 362

FIG. 3 is a bottom view thereof;

See application file for complete search history.

FIG. 4 is a front view thereof;

FIG. 5 is a right side view thereof;

(56) **References Cited**

**U.S. PATENT DOCUMENTS**

103,885 A *	6/1870	Holt	.....	362/351
D177,631 S *	5/1956	Lagin	.....	D26/105
D244,875 S *	6/1977	Baca	.....	D26/105
D365,406 S *	12/1995	Kan	.....	D26/111

FIG. 6 is a left side view thereof;

FIG. 7 is a rear view thereof;

FIG. 8 is a front view of an alternate embodiment of the lamp shade, the sole difference being that the lamp shade is of indeterminate height; and,

FIG. 9 is a right side view of FIG. 8.

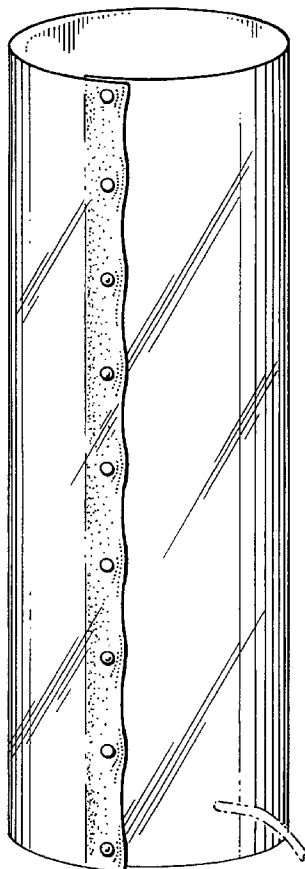
\* cited by examiner

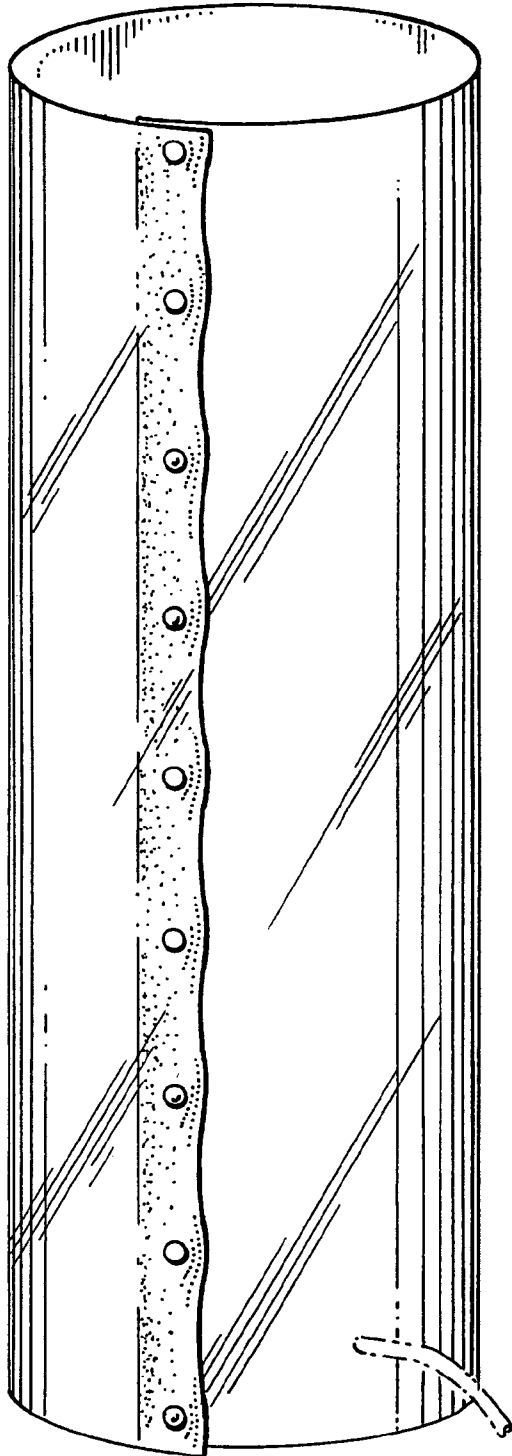
The broken lines shown in the drawing are for illustrative purposes only and form no part of the claimed design.

*Primary Examiner*—Alan P. Douglas

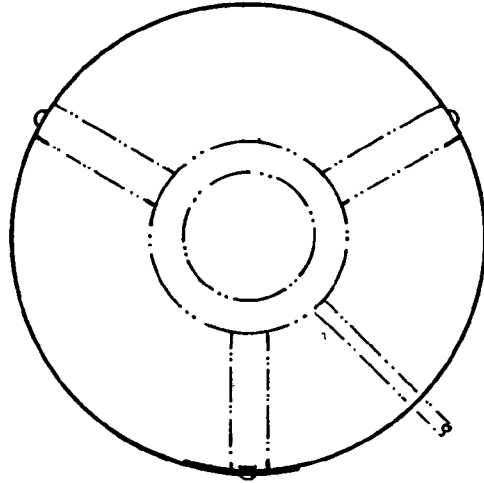
*Assistant Examiner*—Linda Brooks

**1 Claim, 4 Drawing Sheets**

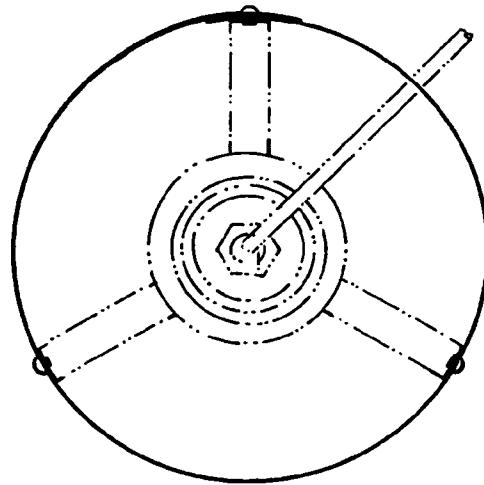




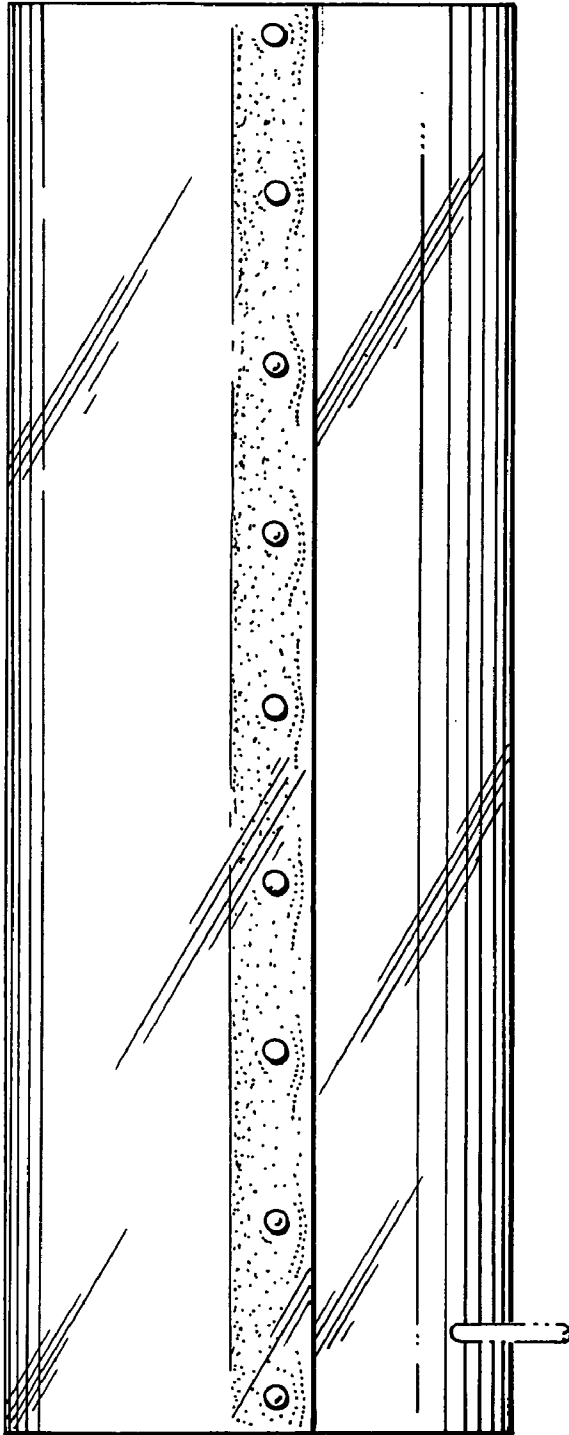
**Fig. 1**



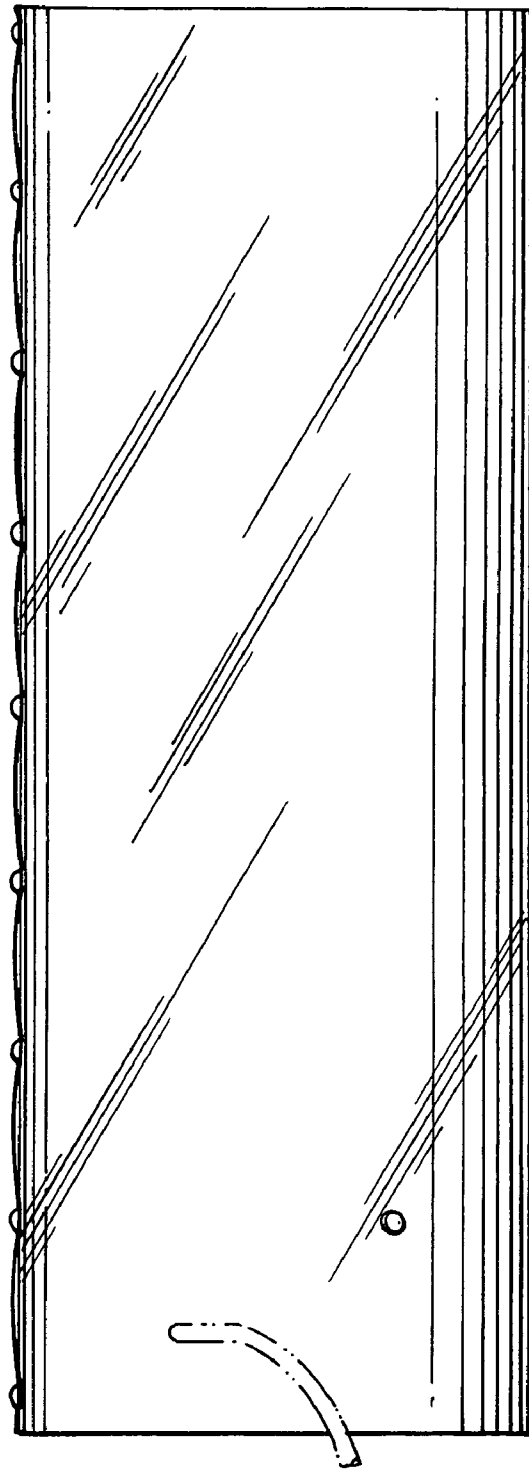
**Fig. 2**



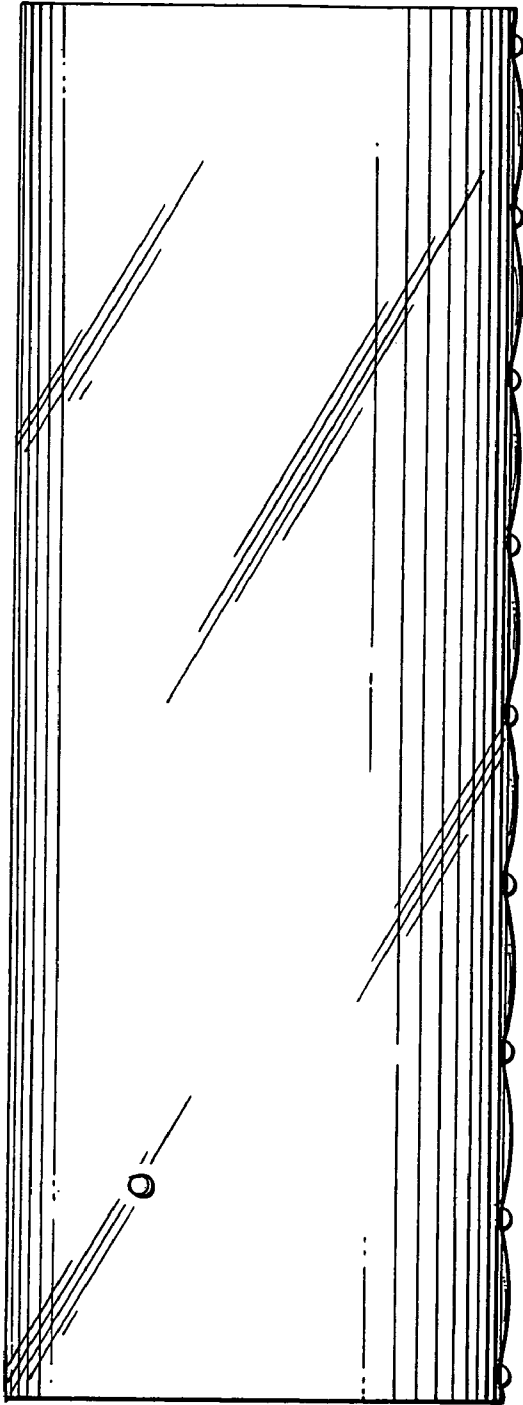
**Fig. 3**



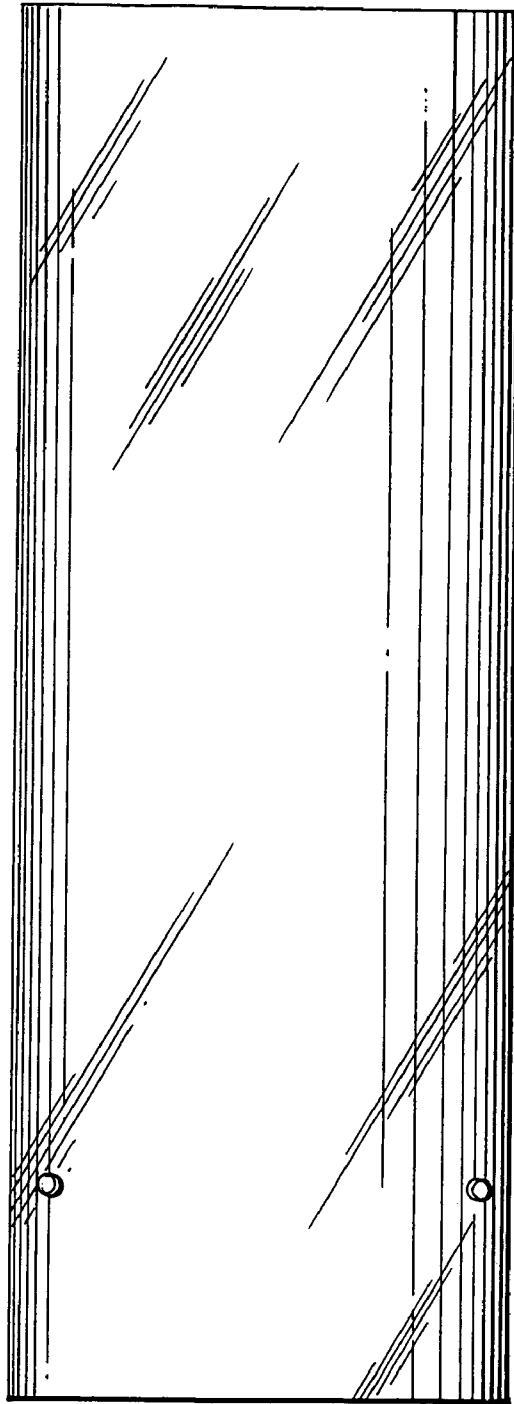
**Fig. 4**



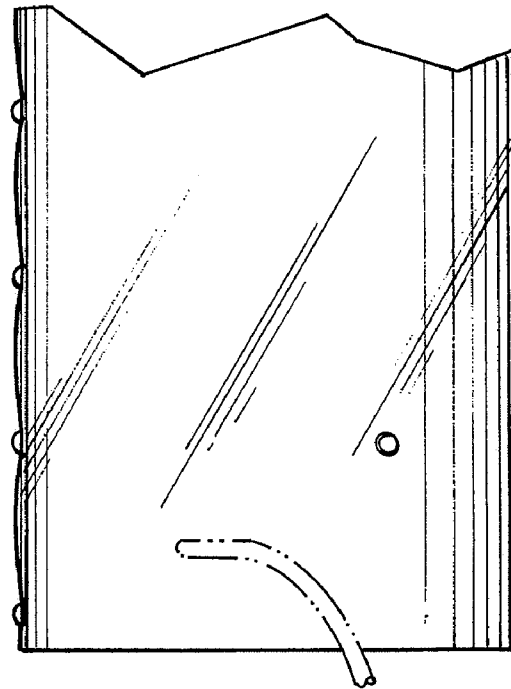
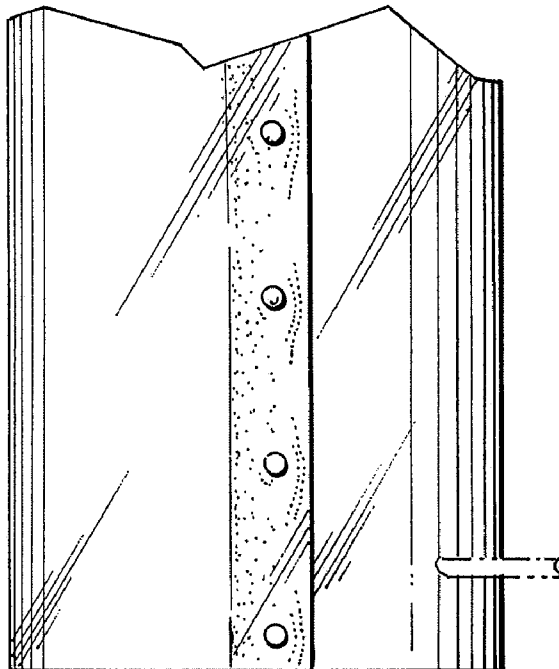
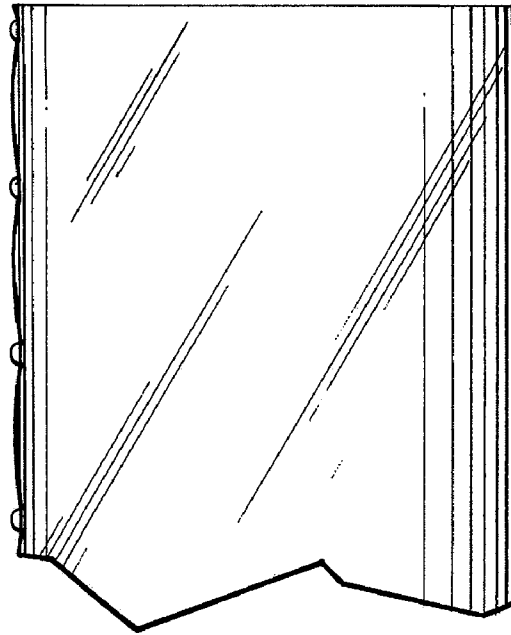
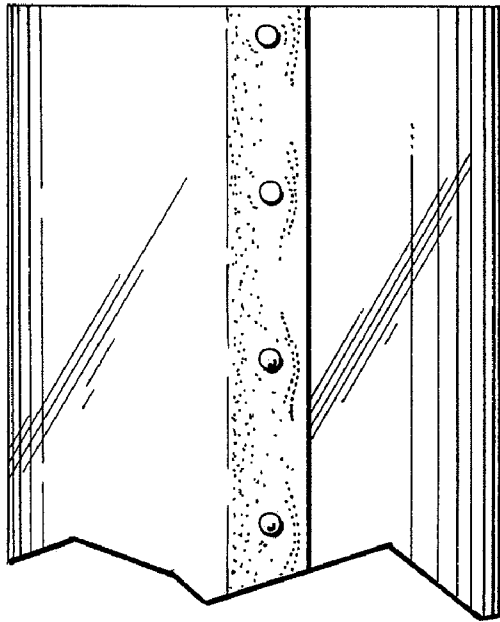
**Fig. 5**



**Fig. 6**



**Fig. 7**



**Fig. 8**

**Fig. 9**

UNITED STATES PATENT AND TRADEMARK OFFICE  
**CERTIFICATE OF CORRECTION**

PATENT NO. : Des. 548,875 S  
APPLICATION NO. : 29/245406  
DATED : August 14, 2007  
INVENTOR(S) : Joerg Schieber

Page 1 of 1

It is certified that error appears in the above-identified patent and that said Letters Patent is hereby corrected as shown below:

Title Pg, Insert Item (30) Foreign Application Priority Data

This patent claims priority to:

European Community Design Applications Nos. 000363064-001, 000363064-0002, 000363064-0003 and 000363064-0004, filed on June 24, 2005.

Signed and Sealed this

Twenty-first Day of October, 2008

A handwritten signature in black ink that reads "Jon W. Dudas". The signature is written in a cursive style with a large, looped initial "J".

JON W. DUDAS  
*Director of the United States Patent and Trademark Office*