



US0D1016512S

(12) **United States Design Patent**
Halstrøm

(10) **Patent No.:** **US D1,016,512 S**

(45) **Date of Patent:** **** Mar. 5, 2024**

(54) **SOFA**

Assistant Examiner — Xavier Marti-Santos

(71) Applicant: **HERMAN MILLER, INC.**, Zeeland, MI (US)

(74) *Attorney, Agent, or Firm* — MICHAEL BEST & FRIEDRICH LLP

(72) Inventor: **Chris Liljenberg Halstrøm**, Copenhagen (DK)

(57) **CLAIM**

I claim the ornamental design for a sofa, as shown and described.

(73) Assignee: **MillerKnoll, Inc.**, Zeeland, MI (US)

(**) Term: **15 Years**

DESCRIPTION

(21) Appl. No.: **29/768,825**

FIG. 1 is a perspective view of a sofa showing a first embodiment of the design.

(22) Filed: **Feb. 1, 2021**

FIG. 2 is a front view of the sofa of FIG. 1.

(51) **LOC (14) Cl.** **06-01**

FIG. 3 is a rear view of the sofa of FIG. 1.

(52) **U.S. Cl.** **D6/381**
USPC **D6/381**

FIG. 4 is a first side view of the sofa of FIG. 1.

(58) **Field of Classification Search**
USPC D6/334–337, 349, 369, 374, 375, 377, D6/381

FIG. 5 is a second side view of the sofa of FIG. 1.

FIG. 6 is a top view of the sofa of FIG. 1.

FIG. 7 is a bottom view of the sofa of FIG. 1.

FIG. 8 is a perspective of a sofa showing a second embodiment of the design.

(Continued)

FIG. 9 is a front view of the sofa of FIG. 8.

FIG. 10 is a rear view of the sofa of FIG. 8.

FIG. 11 is a first side view of the sofa of FIG. 8.

FIG. 12 is a second side view of the sofa of FIG. 8.

FIG. 13 is a top view of the sofa of FIG. 8.

FIG. 14 is a bottom view of the sofa of FIG. 8.

FIG. 15 is a perspective view of a sofa showing a third embodiment of the design.

(56) **References Cited**

U.S. PATENT DOCUMENTS

D234,731 S 4/1975 Chase et al.
3,953,071 A 4/1976 Striebel

(Continued)

FOREIGN PATENT DOCUMENTS

GB 6151073 * 7/2021
GB 6151074 * 7/2021

(Continued)

OTHER PUBLICATIONS

Kapsel Sofa [online], [site visited Sep. 8, 2022]. Available from internet, URL: <https://www.dwr.com/living-sofas-sectionals/kapsel-sofa/2522817.html?lang=en_US> (Year: 2022).*

(Continued)

FIG. 16 is a front view of the sofa of FIG. 15.

FIG. 17 is a rear view of the sofa of FIG. 15.

FIG. 18 is a first side view of the sofa of FIG. 15.

FIG. 19 is a second side view of the sofa of FIG. 15.

FIG. 20 is a top view of the sofa of FIG. 15.

FIG. 21 is a bottom view of the sofa of FIG. 15.

FIG. 22 is a perspective of a sofa showing a fourth embodiment of the design.

FIG. 23 is a front view of the sofa of FIG. 22.

FIG. 24 is a rear view of the sofa of FIG. 22.

FIG. 25 is a first side view of the sofa of FIG. 22.

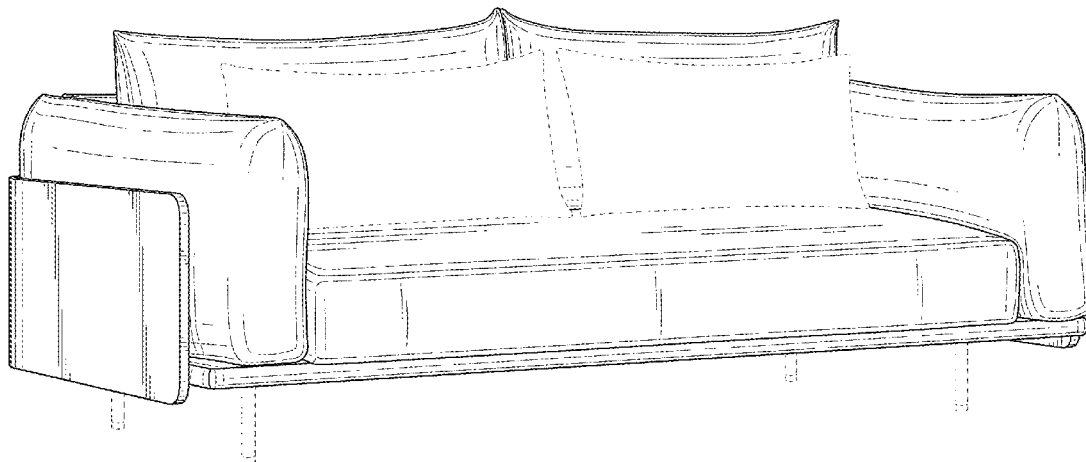
FIG. 26 is a second side view of the sofa of FIG. 22.

FIG. 27 is a top view of the sofa of FIG. 22; and,

FIG. 28 is a bottom view of the sofa of FIG. 22.

(Continued)

Primary Examiner — Llorelys Martinez



The broken lines in the figures are for the purpose of illustrating portions of the sofa, which form no part of the claimed design.

1 Claim, 24 Drawing Sheets

(58) **Field of Classification Search**

CPC A47C 17/00; A47C 17/045; A47C 17/12;
A47C 17/136; A47C 17/02; A47C 17/04;
A47C 17/132; A47C 7/24

See application file for complete search history.

(56)

References Cited

U.S. PATENT DOCUMENTS

D247,835 S	5/1978	Offredi	
D360,310 S	7/1995	Stamberg	
D423,808 S *	5/2000	Natuzzi	D6/381
D448,183 S *	9/2001	Brisson	D6/381
D477,152 S *	7/2003	Levy	D6/381
D479,055 S *	9/2003	Nicoletti	D6/381
D514,840 S	2/2006	Ghetti	
D536,899 S	2/2007	Nicoletti	
D584,522 S	1/2009	Ricci	
D677,488 S	3/2013	Suma	
D677,493 S	3/2013	Masson	
D690,954 S *	10/2013	Beucler	D6/381
D698,179 S	1/2014	Nguyen	
D719,757 S	12/2014	Sonmez	
D731,198 S	6/2015	Podsiadlo	
D785,359 S *	5/2017	Massaud	D6/381
D811,111 S *	2/2018	Garrison	D6/381
D814,207 S *	4/2018	Garrison	D6/381
D850,893 S *	6/2019	Lissoni	D8/381
D859,872 S	9/2019	Ho	
D882,283 S *	4/2020	Barber	D6/381
D883,698 S *	5/2020	Carter	D6/381

D885,782 S	6/2020	Gam et al.	
D889,877 S *	7/2020	Hale	D6/381
D898,396 S	10/2020	Massaud	
D901,911 S	11/2020	Gilles	
D905,978 S	12/2020	Smrstick	
D914,384 S	3/2021	Foersom	
D930,381 S	9/2021	Nie	
D938,214 S *	12/2021	Citterio	D6/717.2
D941,045 S	1/2022	Radonjanin-Stojmirova	
D967,642 S	10/2022	Beamer	
D977,862 S	2/2023	Beamer et al.	
D977,863 S	2/2023	Doshi et al.	
D977,864 S	2/2023	Doshi	
D988,743 S	6/2023	Anderssen	
D988,744 S	6/2023	Anderssen	
D997,587 S	9/2023	Tian	

FOREIGN PATENT DOCUMENTS

GB	6151075	*	7/2021
GB	6151076	*	7/2021

OTHER PUBLICATIONS

Kapsel Sofa [online], [site visited Mar. 23, 2023]. Available from internet, URL: <https://www.dwr.com/living-sofas-sectionals/kapsel-sofa/2526854.html?lang=en_US> (Year: 2021) (2 pages).
GB6173189, Application date: Oct. 29, 2021, Intellectual Property Office, Publication date: Dec. 7, 2021, Owner: MillerKnoll Inc. (Year: 2021).
Rod, Living Divani, first available Jan. 1, 2012 [online], [retrieved Oct. 6, 2023], <<https://livingdivani.it/en/products/armchairs-and-chairs/rod-armchair/>> (Year: 2012).
Milo Baughman Rosewood Case Sofa, first available Jan. 1, 1970, [retrieved from online Oct. 6, 2023], <https://www.1stdibs.com/furniture/seating/sofas/rosewood-case-sofa-milo-baughman/id-f_695757/> (Year: 1970).

* cited by examiner

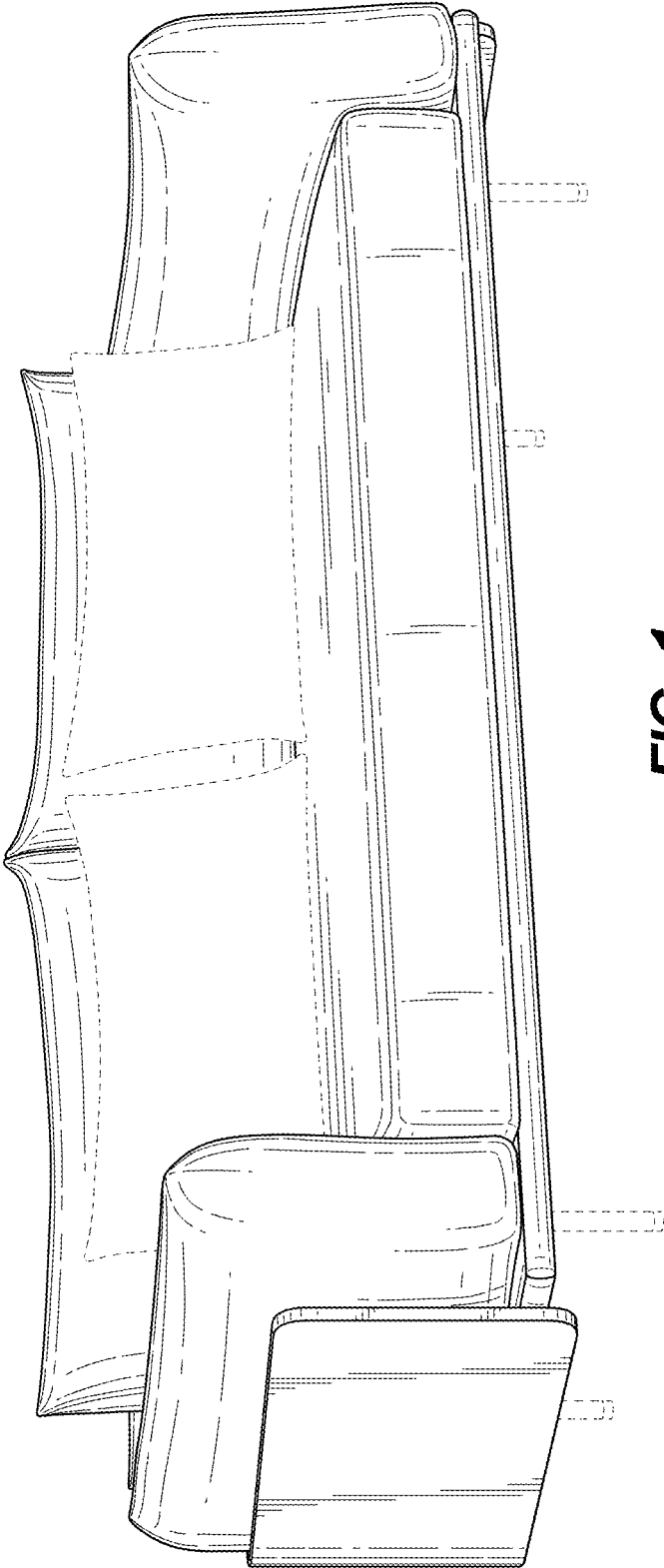


FIG. 1

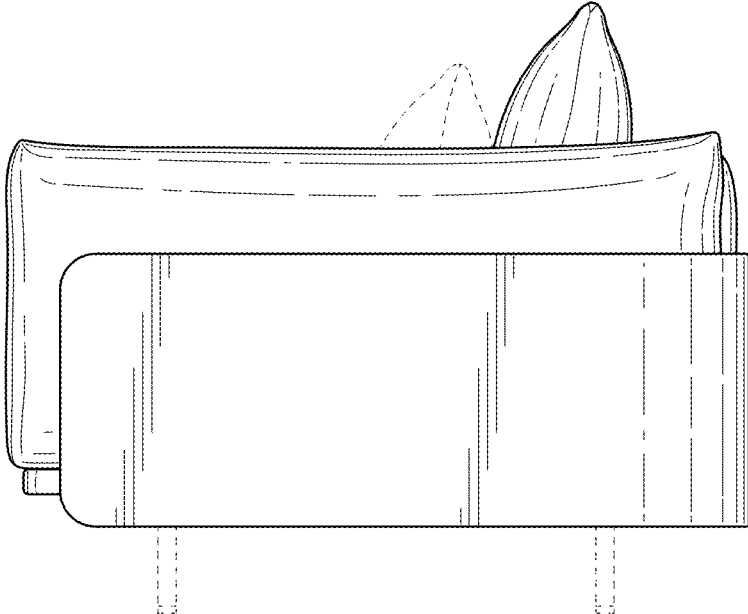


FIG. 2

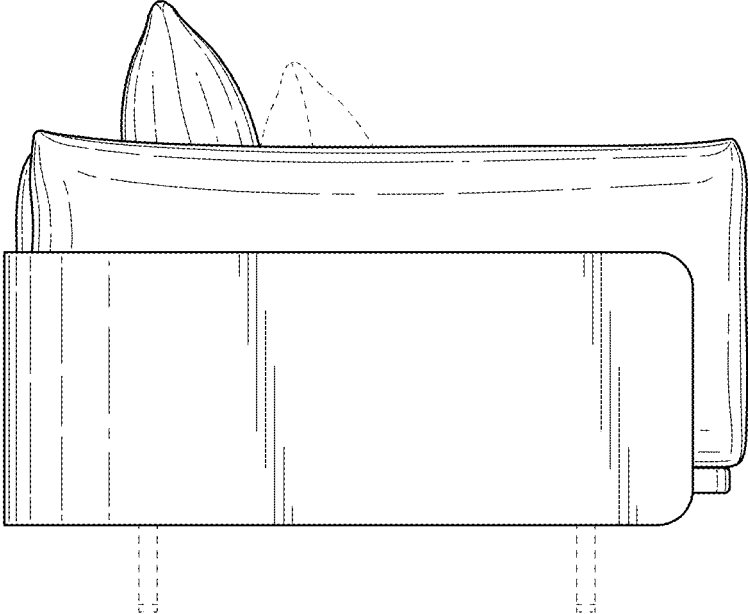


FIG. 3

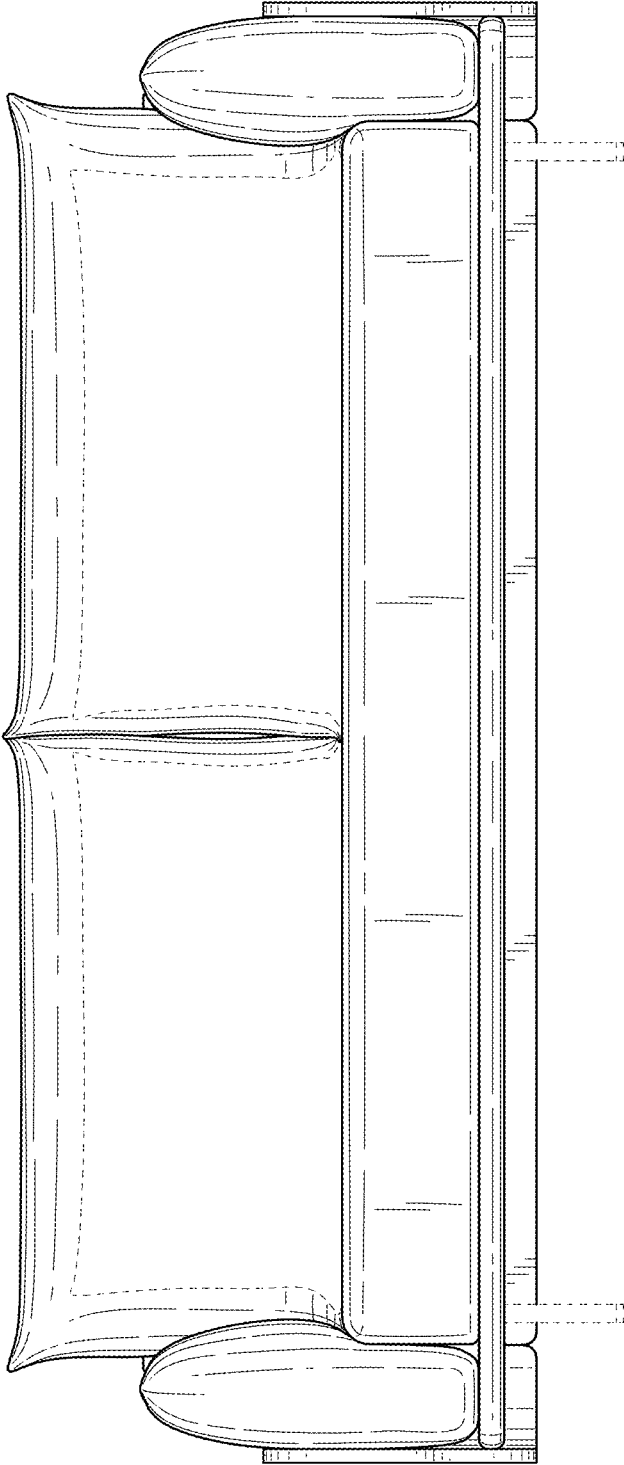


FIG. 4

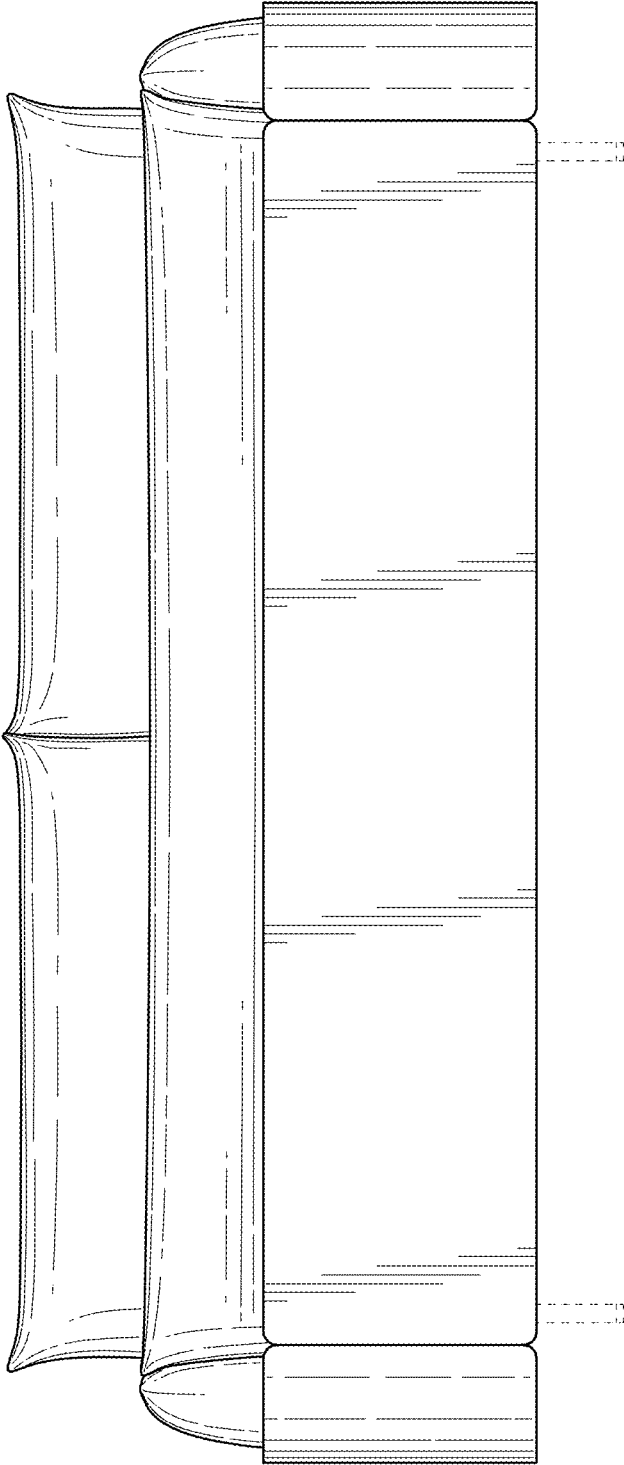


FIG. 5

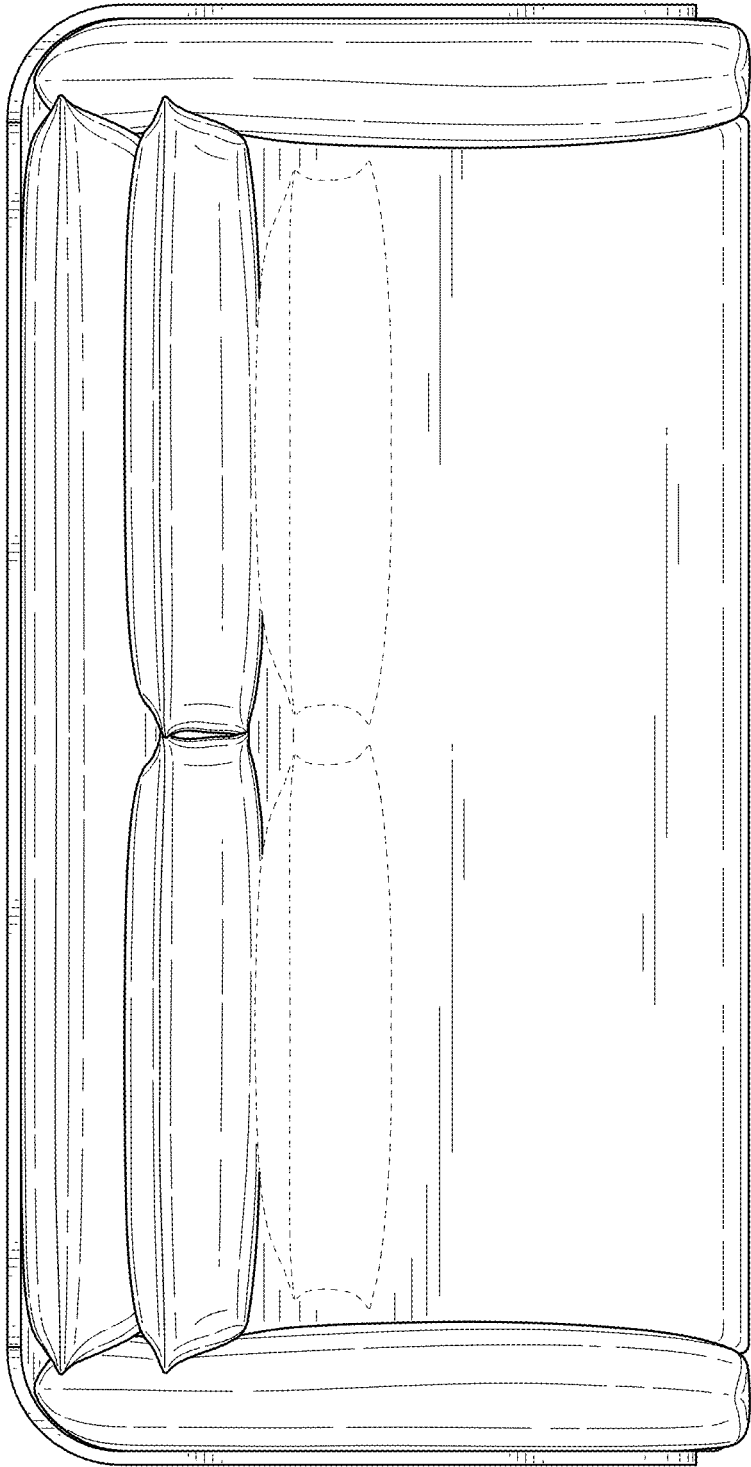


FIG. 6

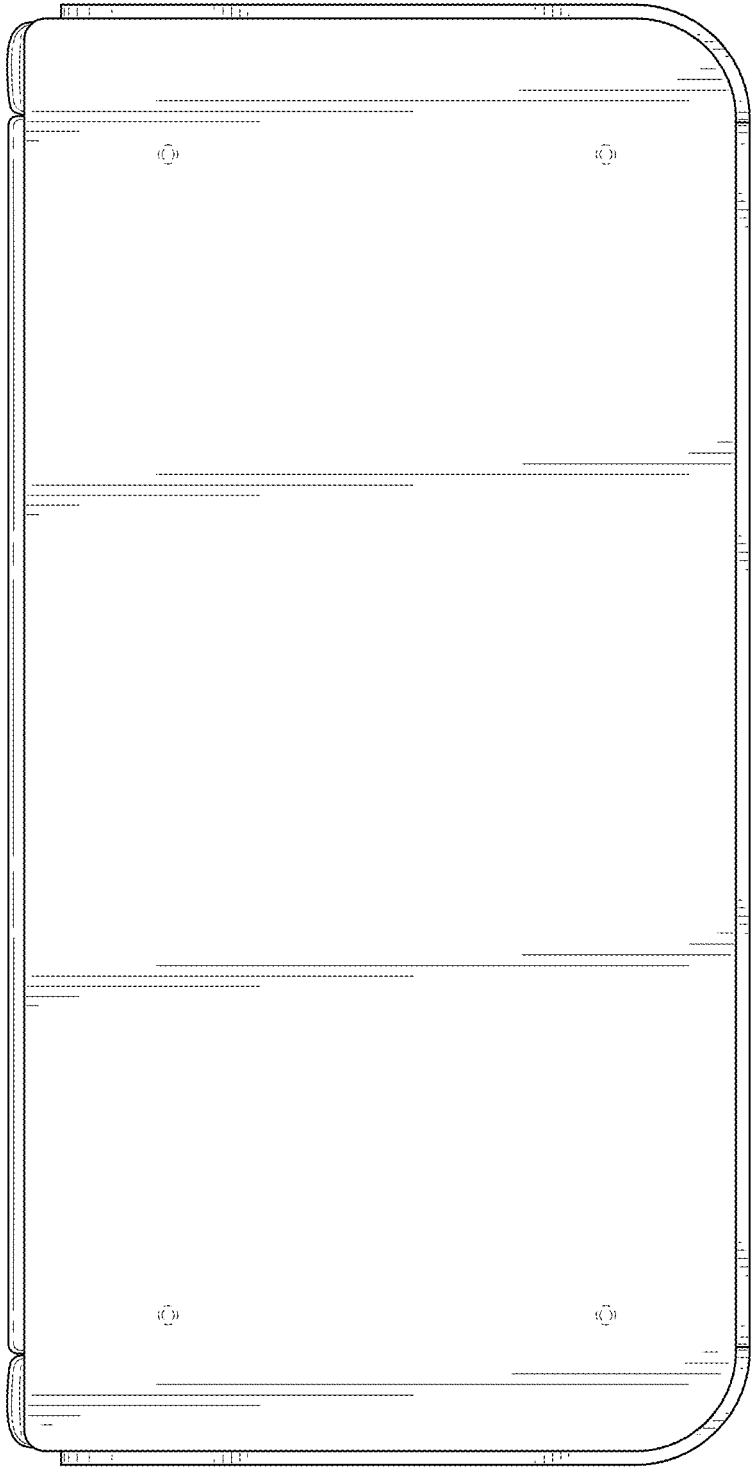


FIG. 7

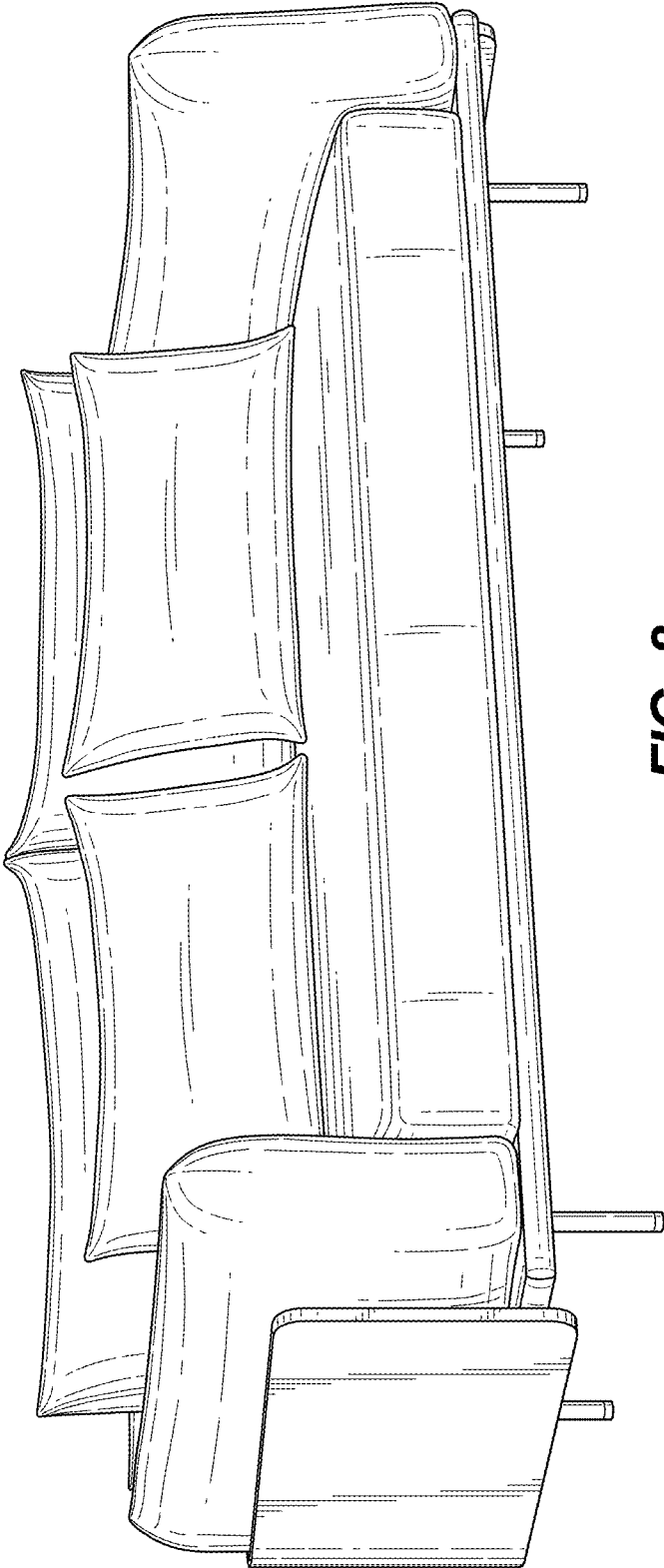


FIG. 8

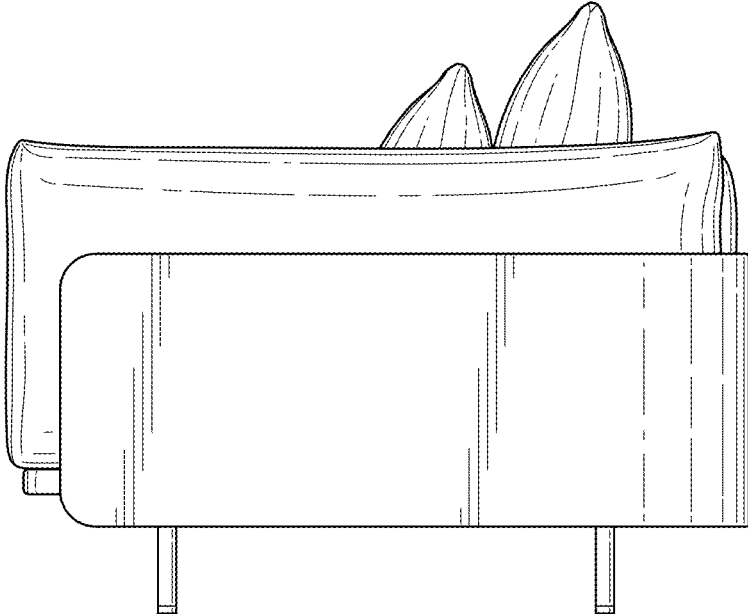


FIG. 9

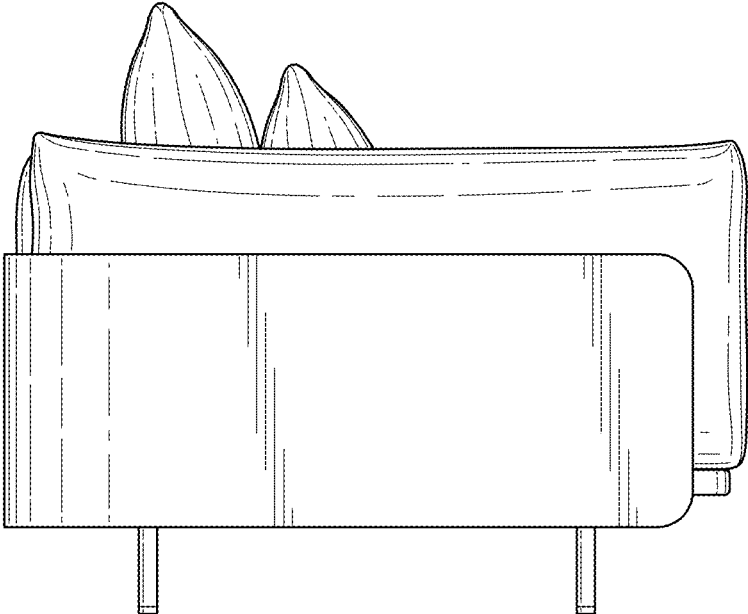


FIG. 10

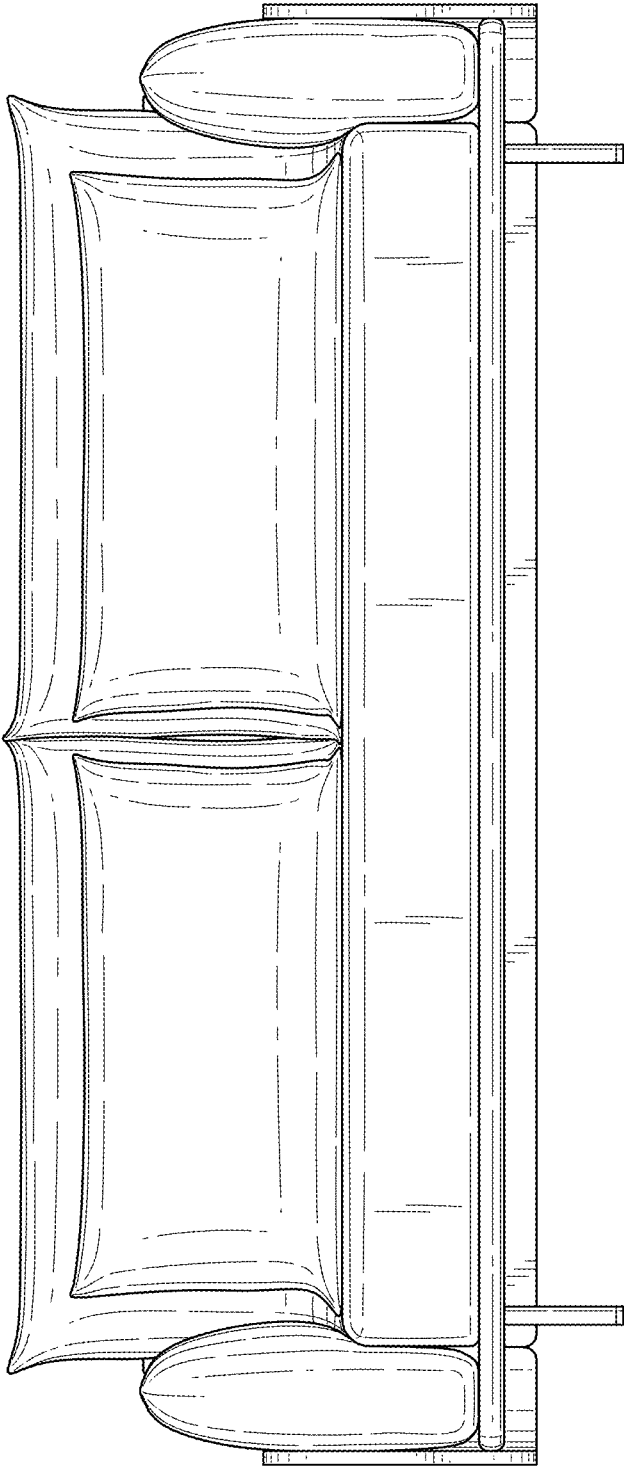


FIG. 11

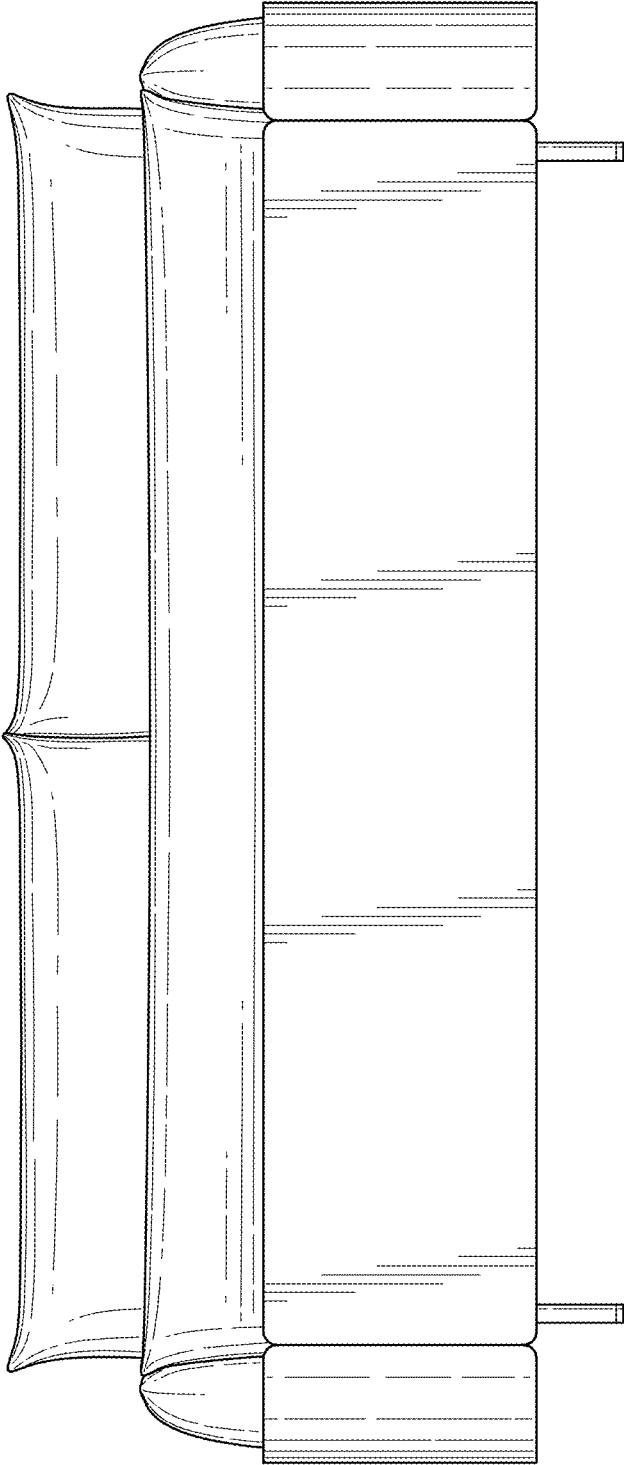


FIG. 12

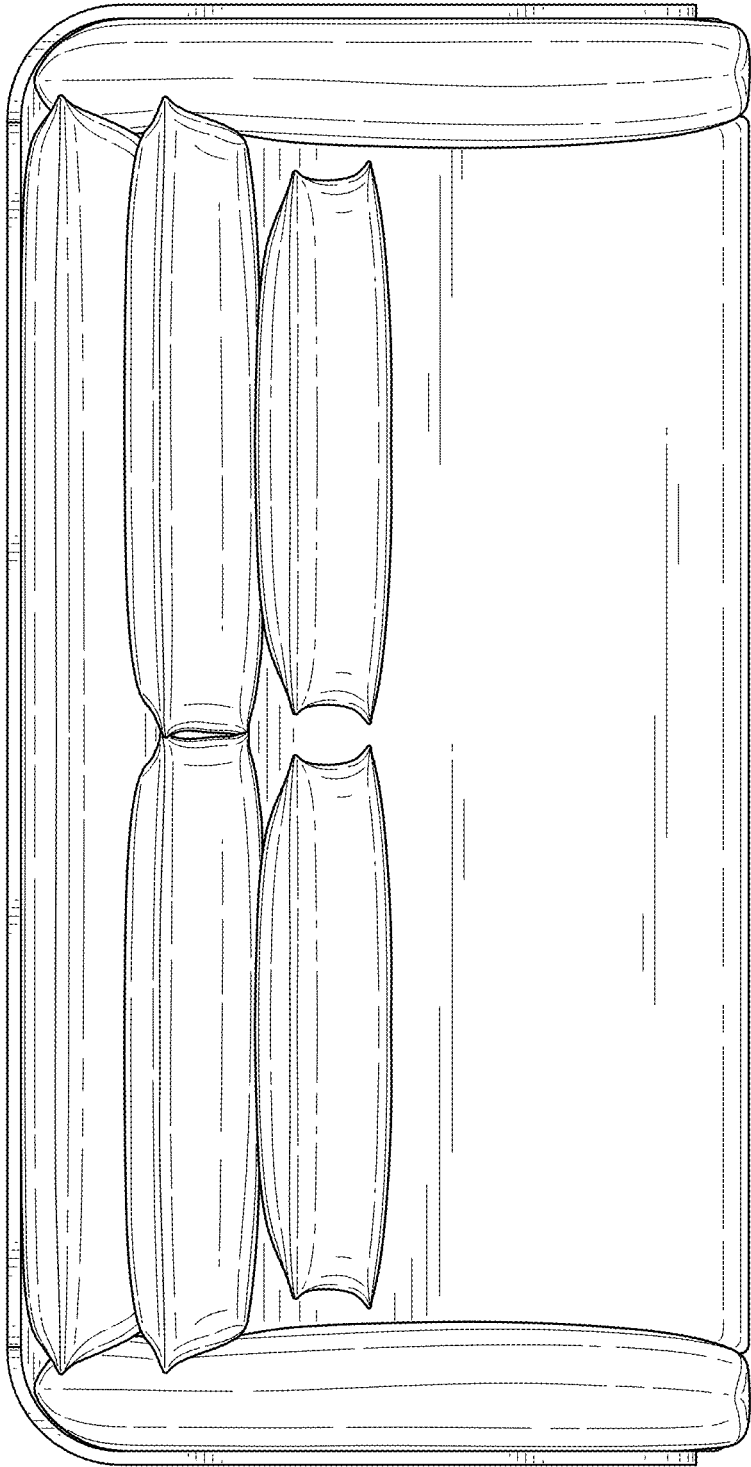


FIG. 13

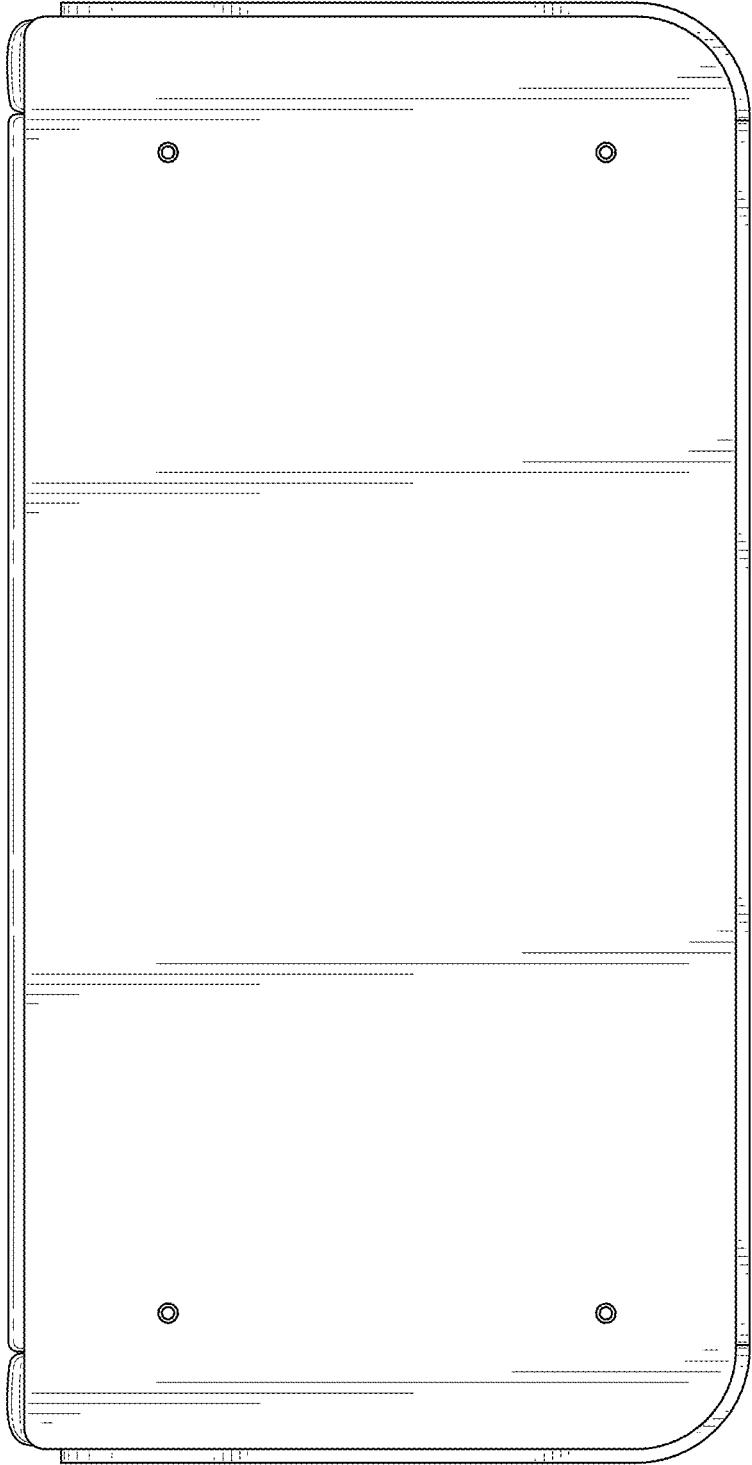


FIG. 14

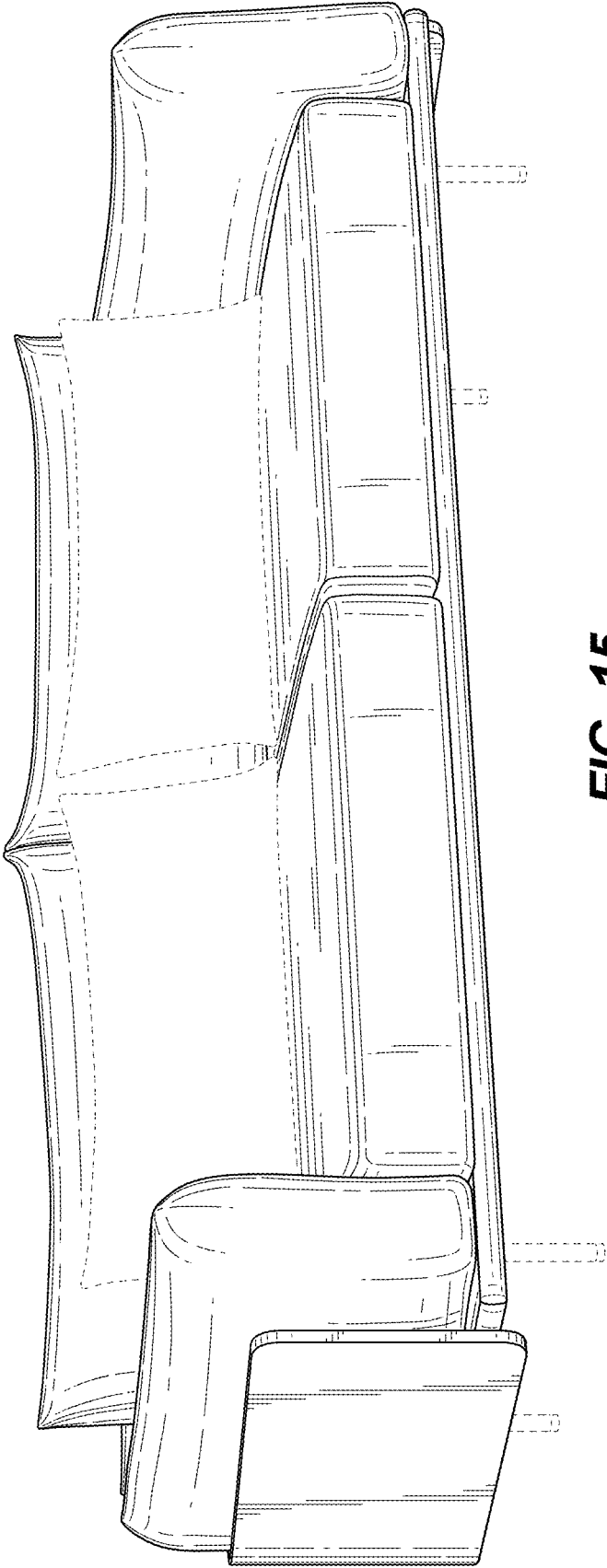


FIG. 15

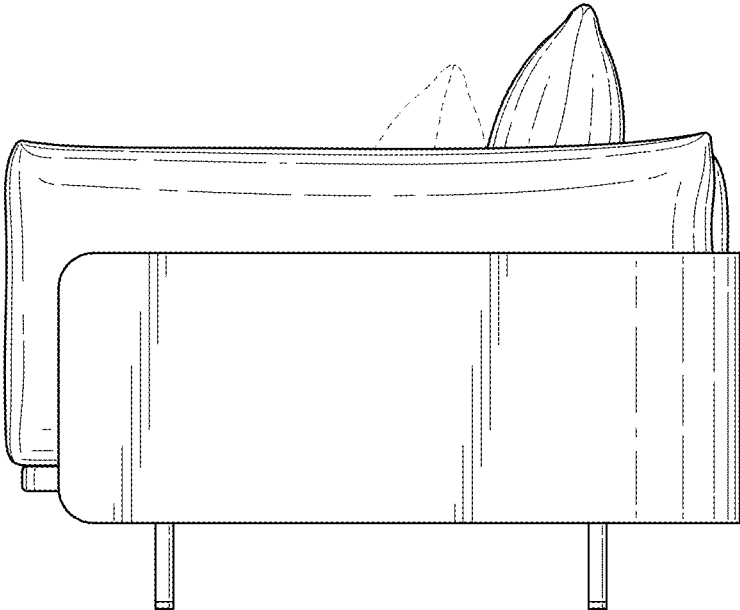


FIG. 16

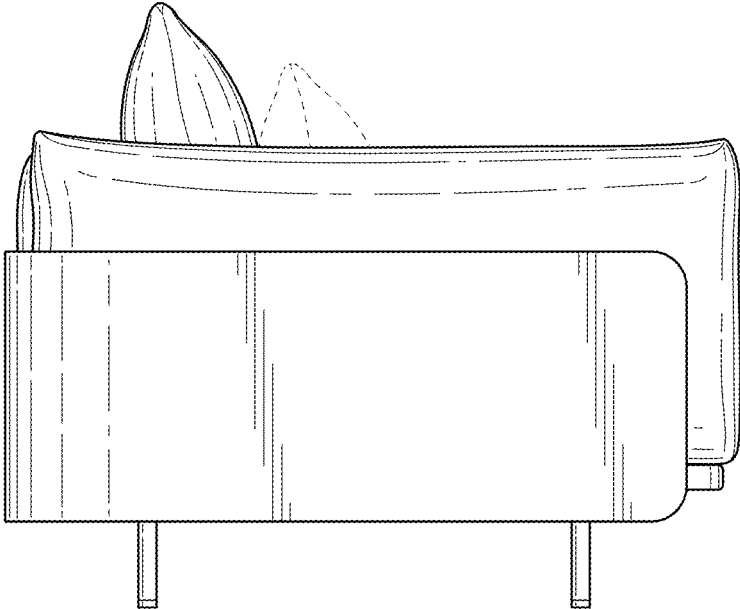


FIG. 17

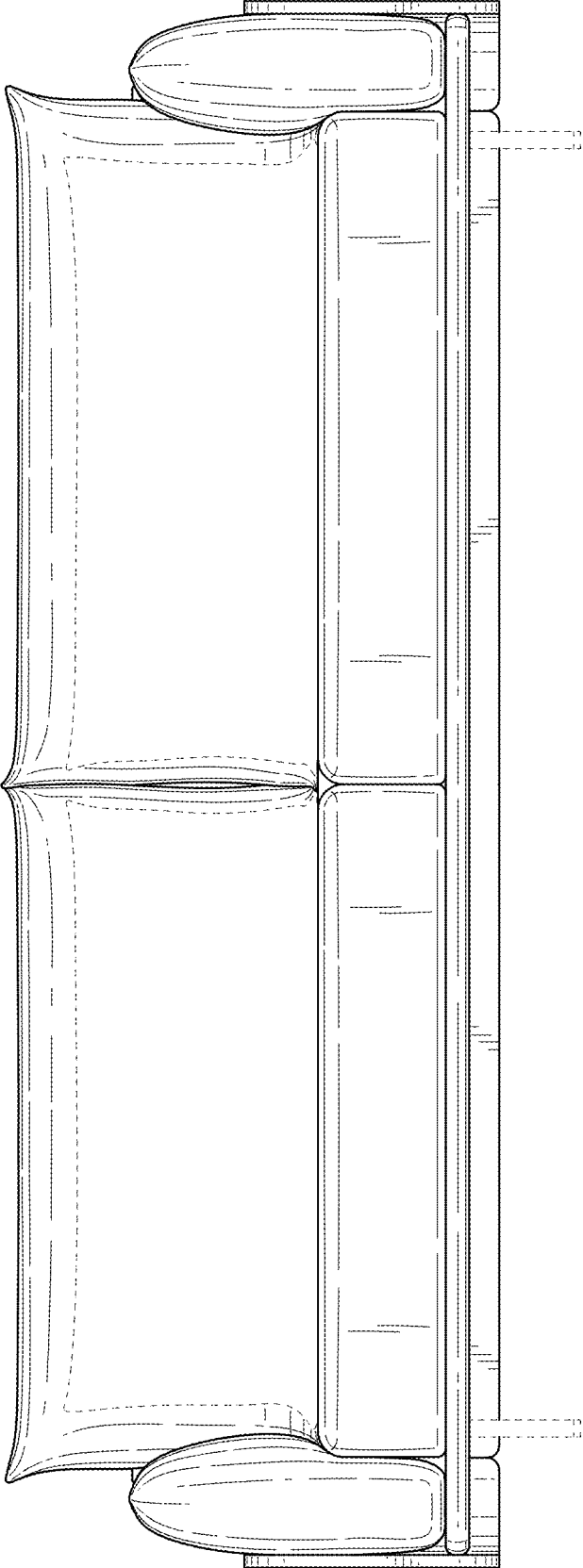


FIG. 18

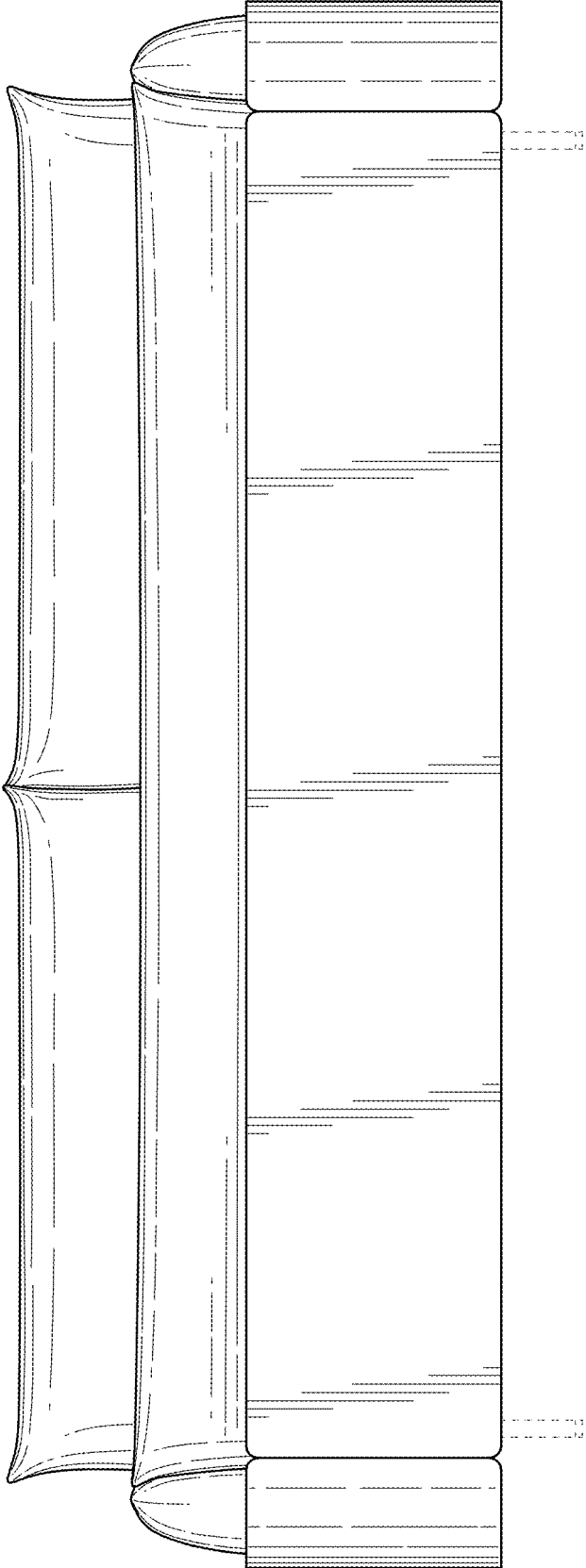


FIG. 19

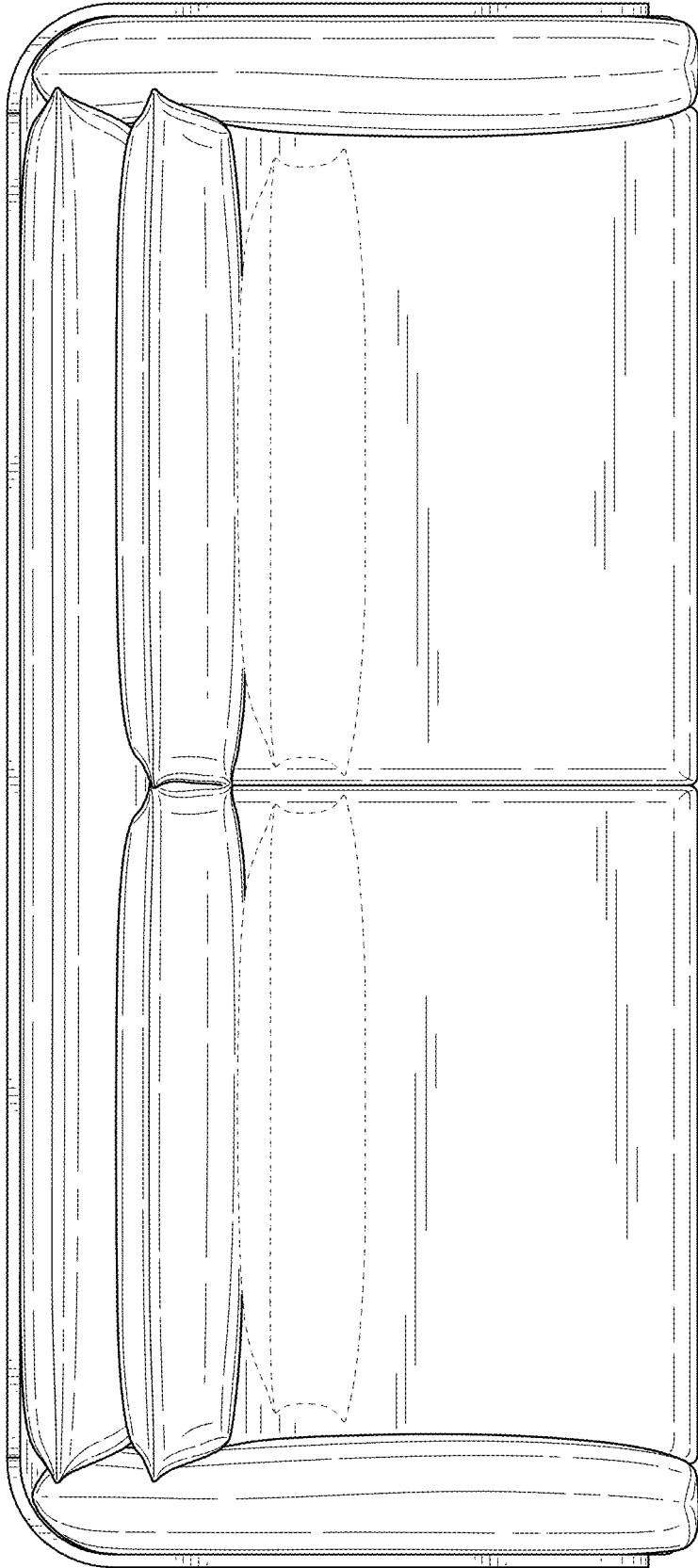


FIG. 20

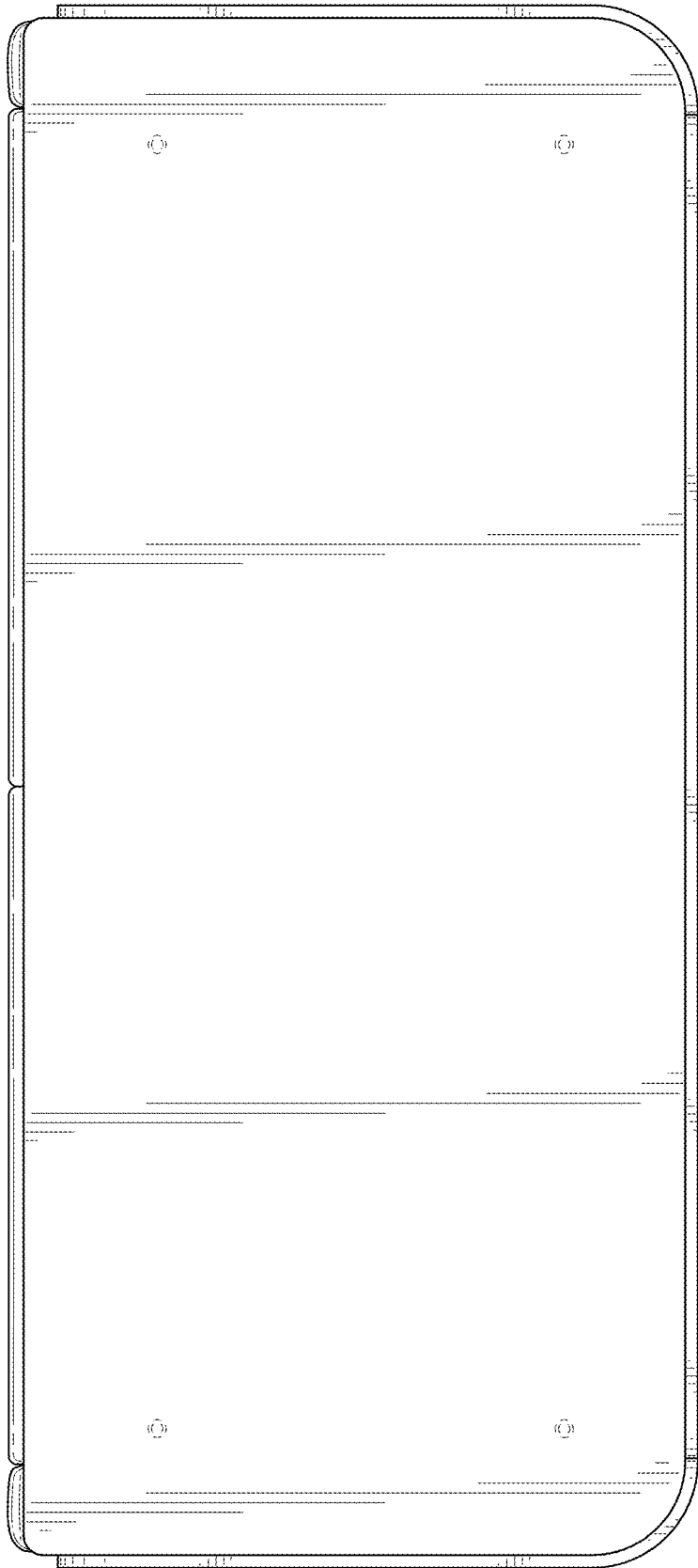


FIG. 21

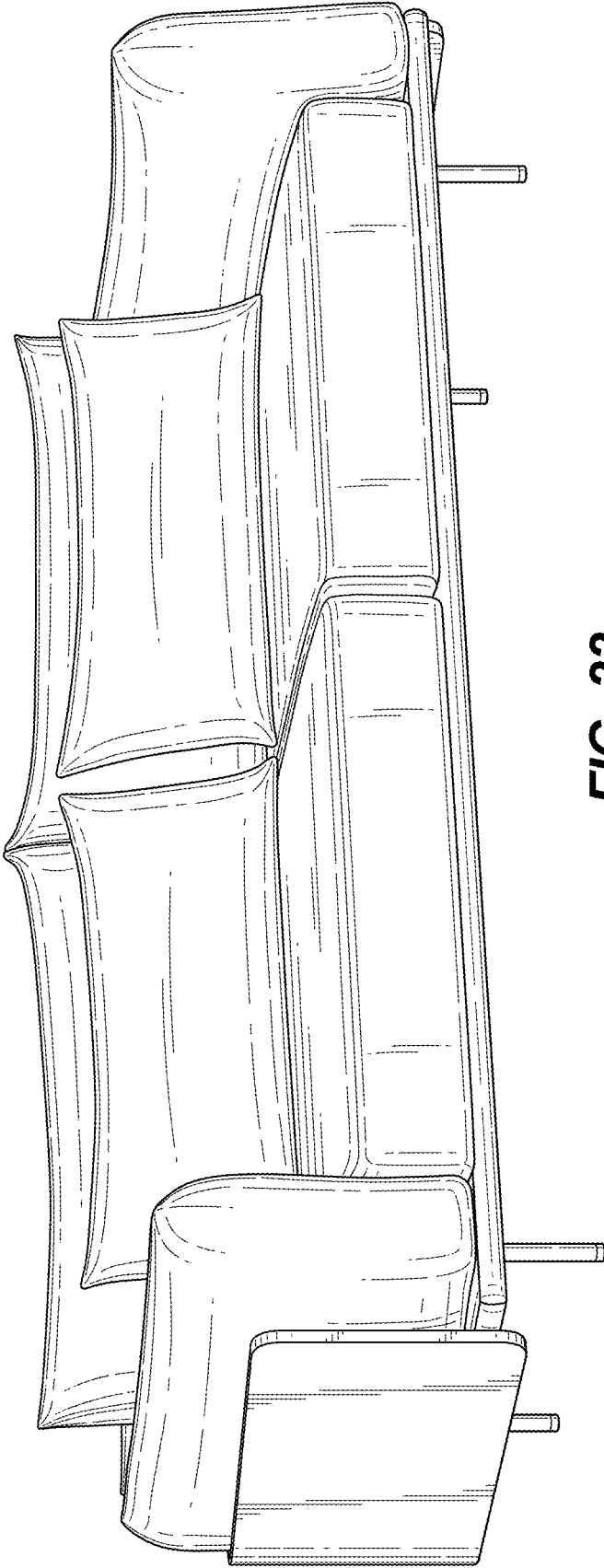


FIG. 22

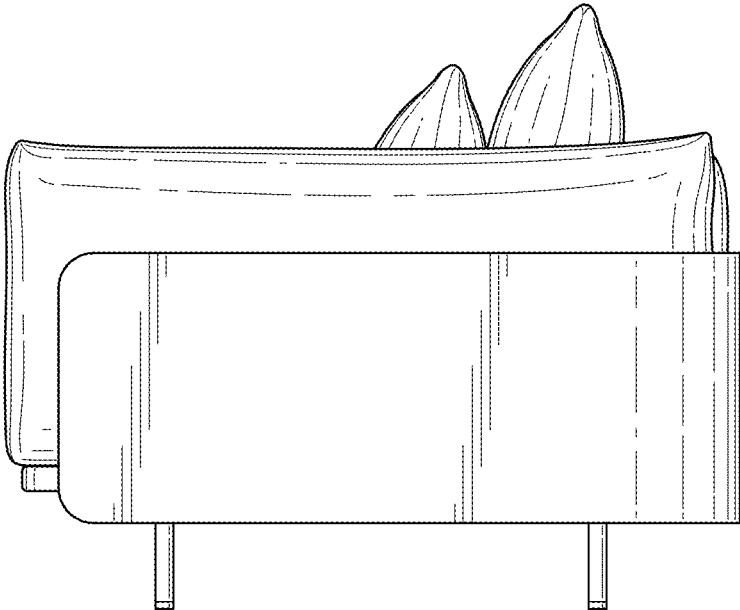


FIG. 23

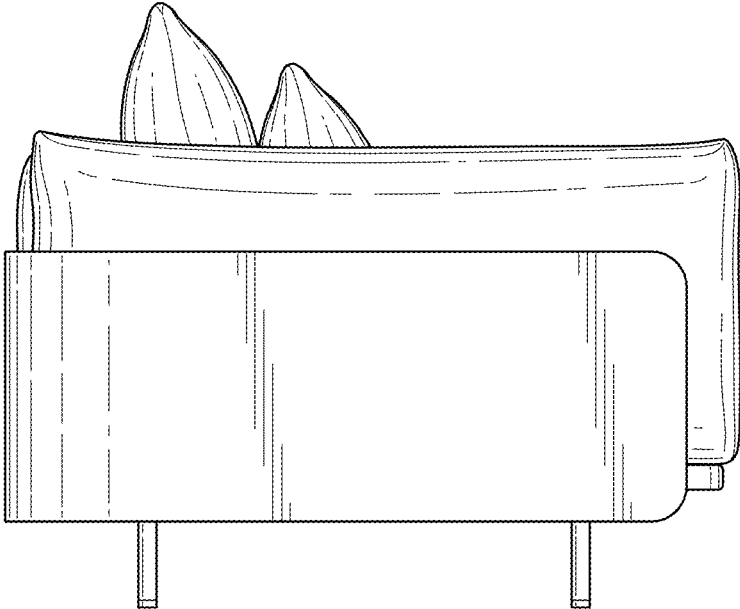


FIG. 24

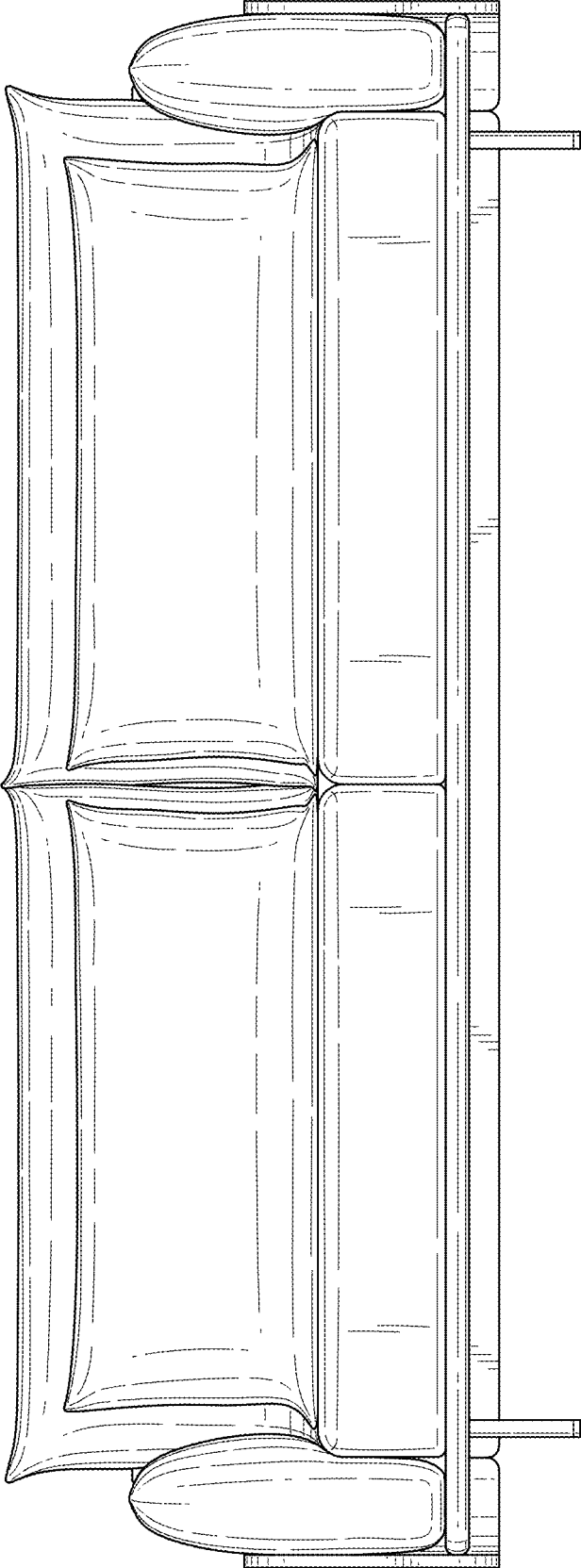


FIG. 25

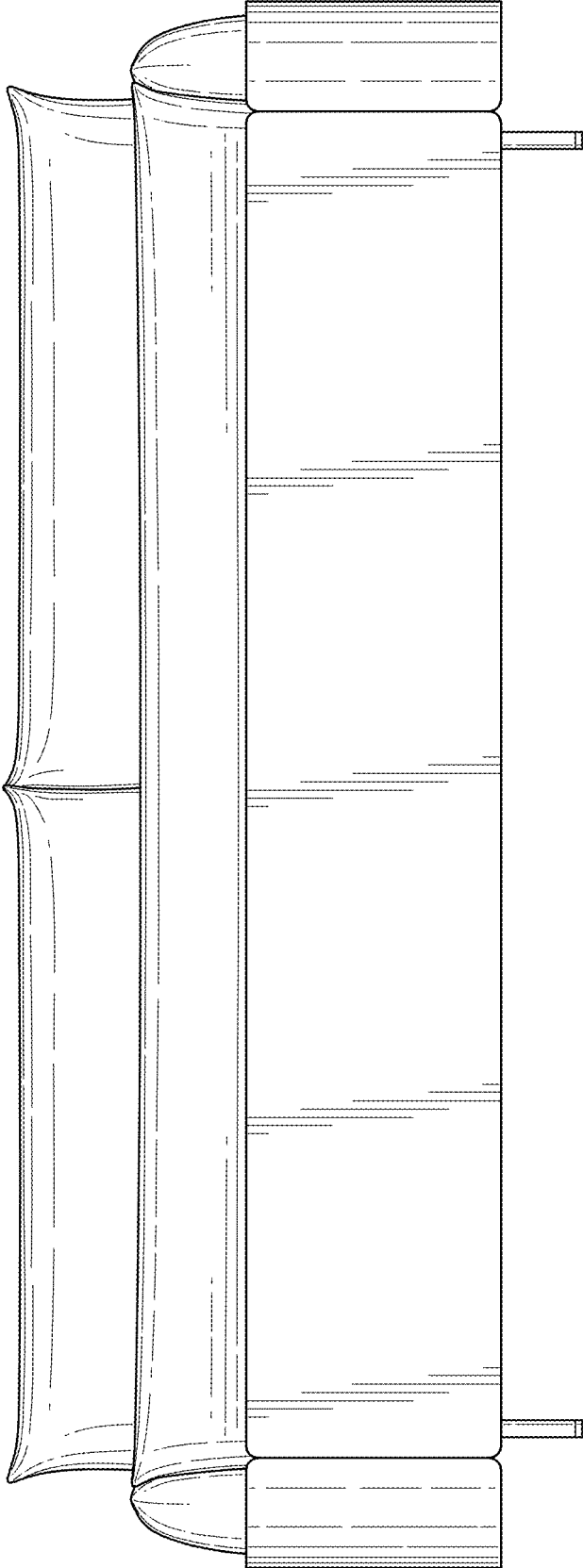


FIG. 26

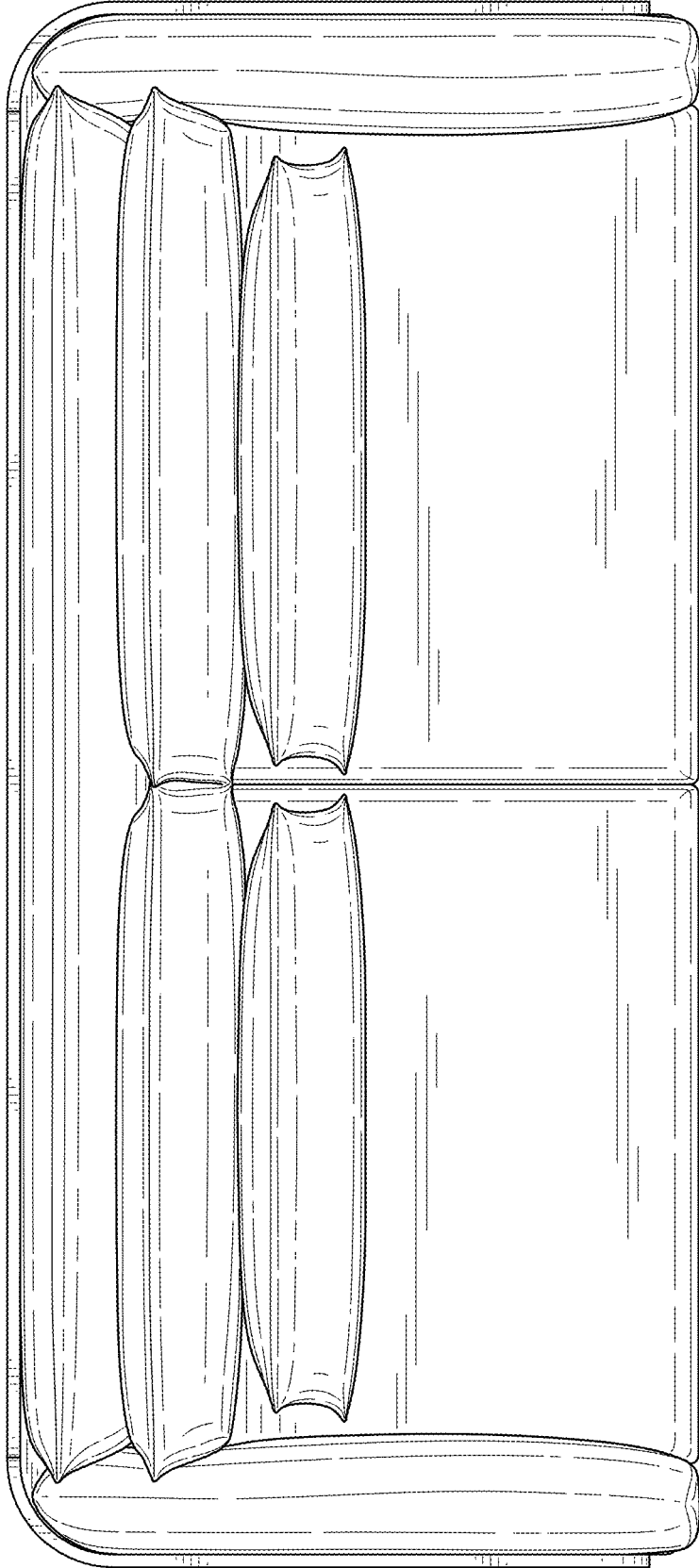


FIG. 27

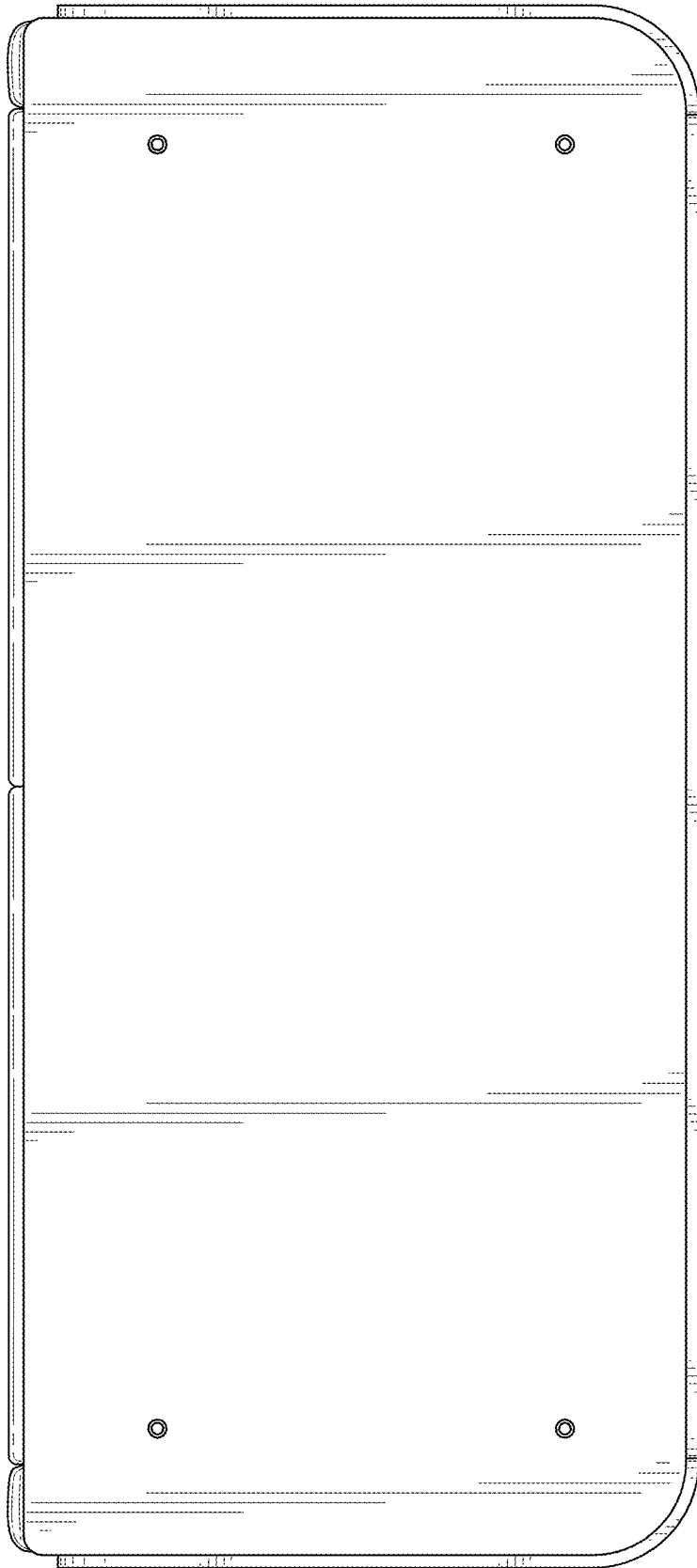


FIG. 28