



US00D547282S

(12) **United States Design Patent**
Hsiung

(10) **Patent No.:** **US D547,282 S**

(45) **Date of Patent:** **** Jul. 24, 2007**

(54) **PORTABLE DVD PLAYER**

(75) Inventor: **Chen Kuo Hsiung**, Laguna (HK)

(73) Assignee: **Silicon Pyramid Electron, Ltd.**,
Guangzhou (CN)

(**) Term: **14 Years**

(21) Appl. No.: **29/231,481**

(22) Filed: **Jun. 6, 2005**

(30) **Foreign Application Priority Data**

Jan. 21, 2005 (CN) 2005 3 0050738

(51) **LOC (8) Cl.** **14-03**

(52) **U.S. Cl.** **D14/129**

(58) **Field of Classification Search** D14/125,
D14/129, 132, 136, 156, 126, 371, 374, 375;
348/180, 184, 325, 838; 341/12; 345/104,
345/133, 156, 168, 173, 87; 720/605, 669,
720/600, 655; 369/99, 197; 455/344, 345,
455/346, 347, 566; 368/12

See application file for complete search history.

(56) **References Cited**

U.S. PATENT DOCUMENTS

- D432,124 S * 10/2000 Pardikes et al. D14/336
- D481,718 S * 11/2003 Chiang et al. D14/341
- D494,174 S * 8/2004 Hsu Li D14/374

- D496,034 S * 9/2004 Guerrero et al. D14/336
- D503,160 S * 3/2005 Peng D14/129
- D504,427 S * 4/2005 Hsu Li D14/371
- D504,686 S * 5/2005 Hsu Li D14/371
- D509,827 S * 9/2005 Johnson D14/374
- D518,010 S * 3/2006 Peng D14/129
- D519,956 S * 5/2006 Peng D14/129
- D525,973 S * 8/2006 Julian et al. D14/371

* cited by examiner

Primary Examiner—Philip S. Hyder

(74) *Attorney, Agent, or Firm*—Much Shelist

(57) **CLAIM**

The ornamental design for a portable DVD player, as shown and described.

DESCRIPTION

FIG. 1 is a perspective view of the portable DVD player showing the new design;

FIG. 2 is a front view of FIG. 1.

FIG. 3 is a left side view of FIG. 1.

FIG. 4 is a right side view of FIG. 1.

FIG. 5 is a rear view of FIG. 1.

FIG. 6 is a top view of FIG. 1; and,

FIG. 7 is a bottom view of FIG. 1.

1 Claim, 1 Drawing Sheet

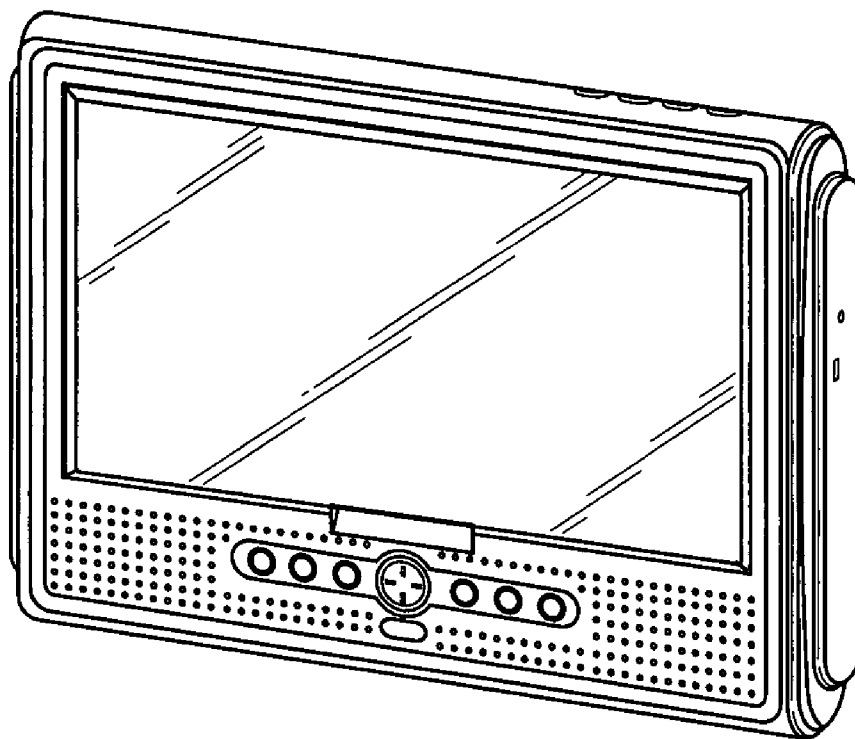


Fig. 1

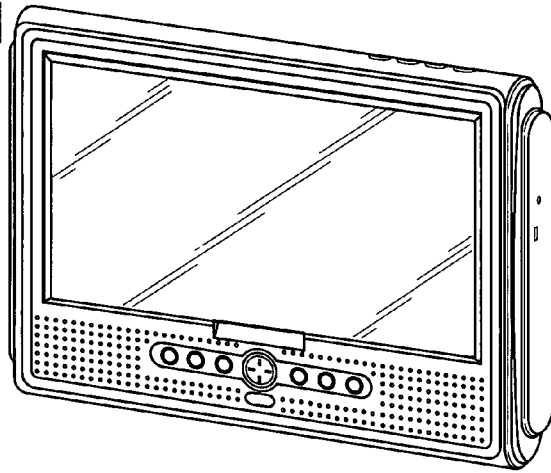


Fig. 2

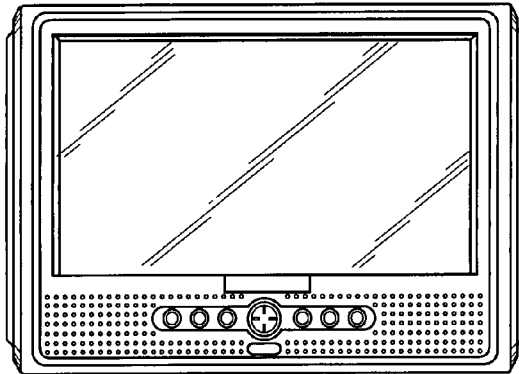


Fig. 3

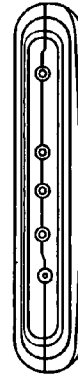


Fig. 5

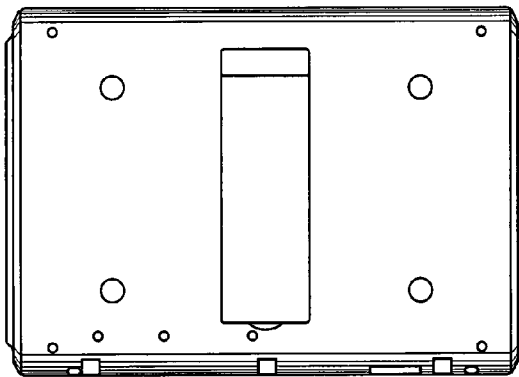


Fig. 4



Fig. 6



Fig. 7

