



US00D765211S

(12) **United States Design Patent**
Huang

(10) **Patent No.:** **US D765,211 S**

(45) **Date of Patent:** **** Aug. 30, 2016**

(54) **LOWER RECEIVER FOR A FIREARM**

(71) Applicant: **George Huang**, Henderson, NV (US)

(72) Inventor: **George Huang**, Henderson, NV (US)

(**) Term: **15 Years**

(21) Appl. No.: **29/549,455**

(22) Filed: **Dec. 22, 2015**

Related U.S. Application Data

(63) Continuation-in-part of application No. 29/494,291, filed on Jun. 19, 2014, now Pat. No. Des. 746,936.

(51) **LOC (10) Cl.** **22-01**

(52) **U.S. Cl.**
USPC **D22/108**

(58) **Field of Classification Search**
USPC D22/103, 108; D21/572-575
CPC F41A 21/30; F41A 21/325
See application file for complete search history.

(56) **References Cited**

U.S. PATENT DOCUMENTS

8,789,305	B1 *	7/2014	DiChario	42/75.03
D713,485	S *	9/2014	Firpo et al.	D22/108
D729,893	S *	5/2015	Foster	D22/103
2013/0227869	A1 *	9/2013	Thordsen	42/6
2014/0075815	A1 *	3/2014	Jarboe	42/73
2014/0237878	A1 *	8/2014	Lambert	42/75.01
2014/0305019	A1 *	10/2014	King, Jr.	42/71.01

2014/0331535	A1 *	11/2014	Robinson et al.	42/6
2015/0000171	A1 *	1/2015	Roberts	42/75.03
2015/0101230	A1 *	4/2015	Curtis	42/75.01
2015/0153125	A1 *	6/2015	Lutton et al.	42/69.01
2015/0176944	A1 *	6/2015	Kupanoff	42/73
2015/0198394	A1 *	7/2015	Hochstrate et al.	42/17

* cited by examiner

Primary Examiner — Michael A Pratt

(74) *Attorney, Agent, or Firm* — Shaddock Law Group, PC

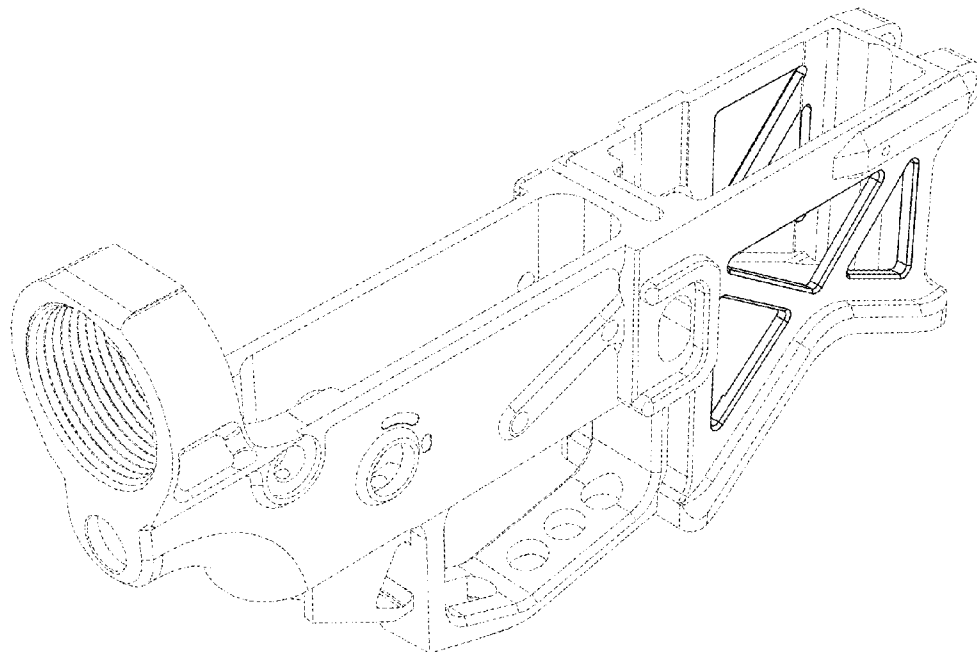
(57) **CLAIM**

The ornamental design for a lower receiver for a firearm, as shown and described.

DESCRIPTION

FIG. 1 is a right, rear, upper perspective view of a lower receiver for a firearm, showing my new design; FIG. 2 is a right side view thereof; FIG. 3 is a left side view thereof; FIG. 4 is a top view thereof; FIG. 5 is a bottom view thereof; FIG. 6 is a front view thereof; FIG. 7 is a rear view thereof; FIG. 8 is a right, rear perspective view thereof; FIG. 9 is a left, rear perspective view thereof; FIG. 10 is a right, front perspective view thereof; FIG. 11 is a left, front perspective view thereof; FIG. 12 is a left, front, bottom perspective view thereof; and, FIG. 13 is a right, front, bottom perspective view thereof. The broken lines shown throughout the various figures depict additional structures that form no part of the claimed design.

1 Claim, 7 Drawing Sheets



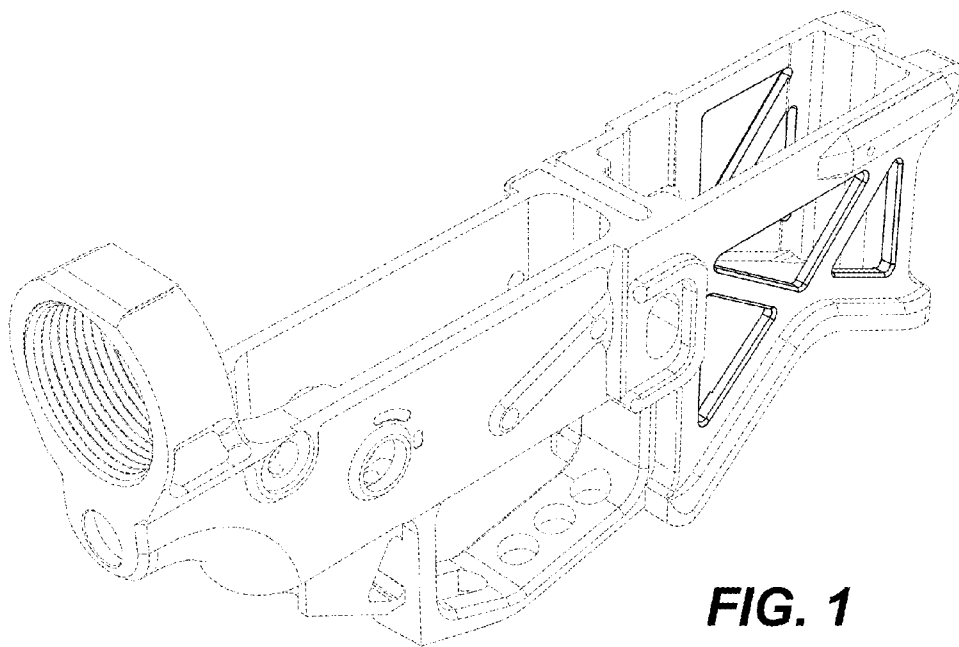


FIG. 1

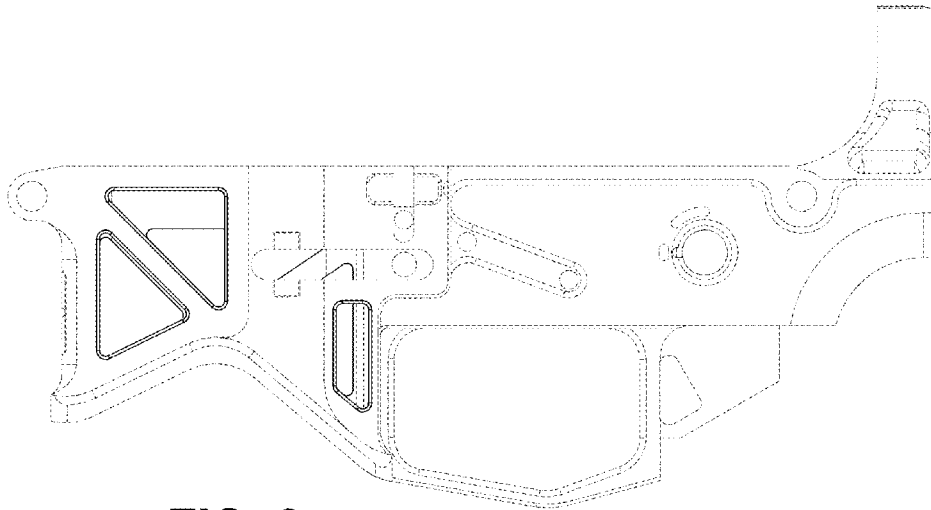


FIG. 2

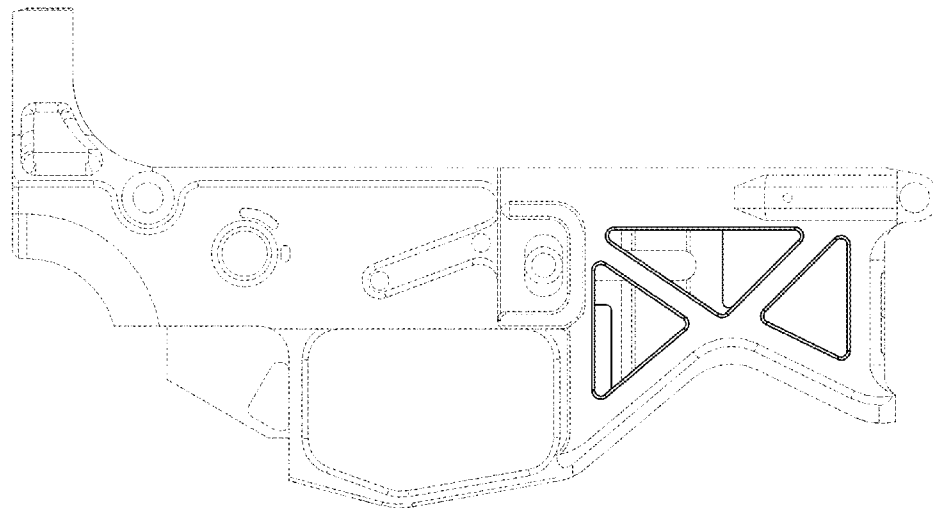


FIG. 3

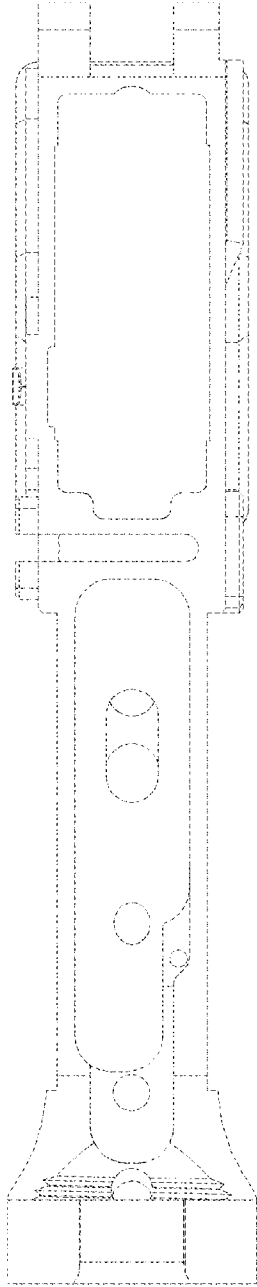


FIG. 4

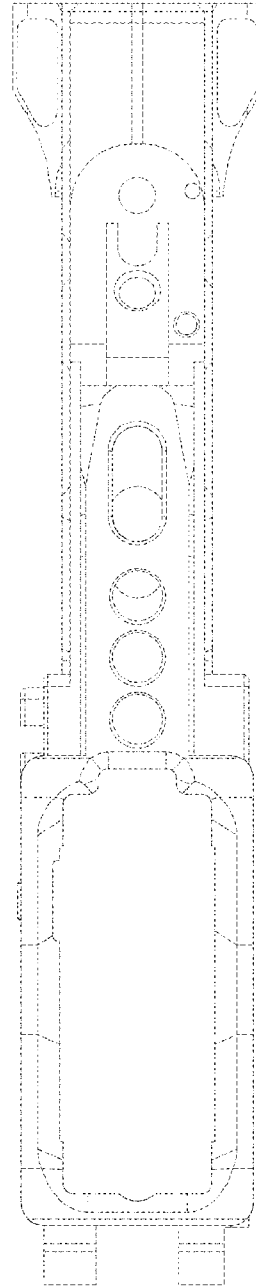


FIG. 5

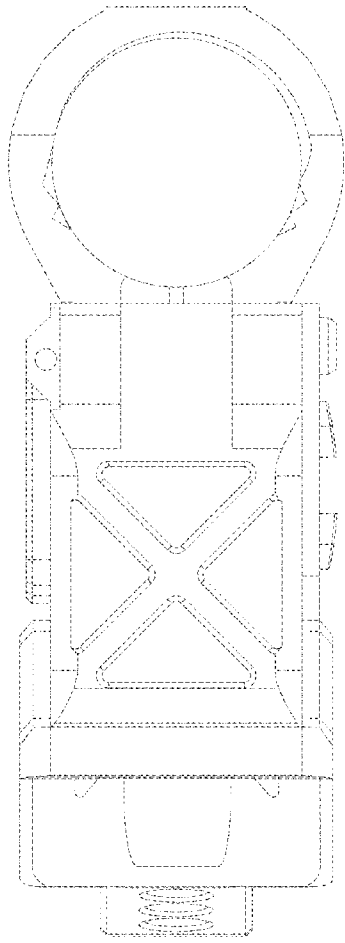


FIG. 6

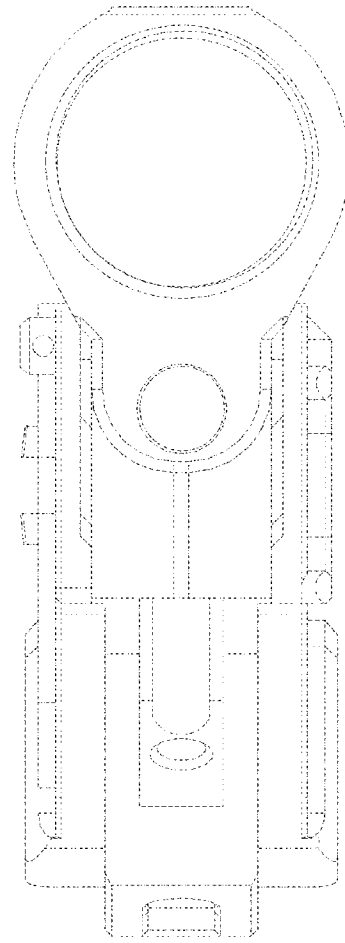


FIG. 7

FIG. 8

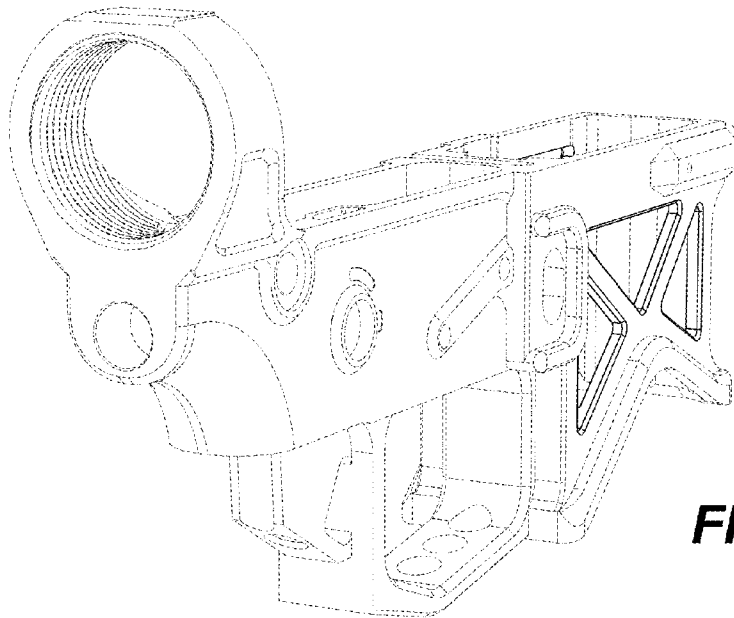
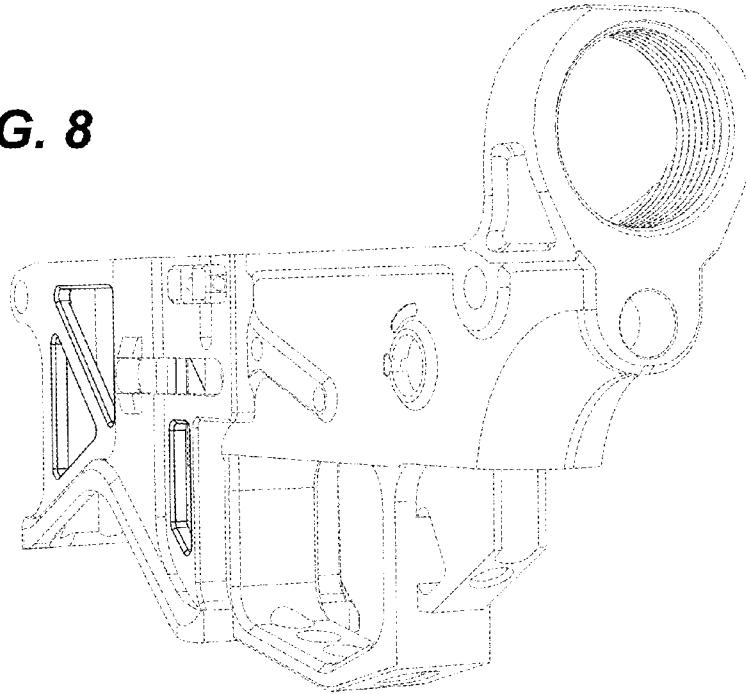


FIG. 9

FIG. 10

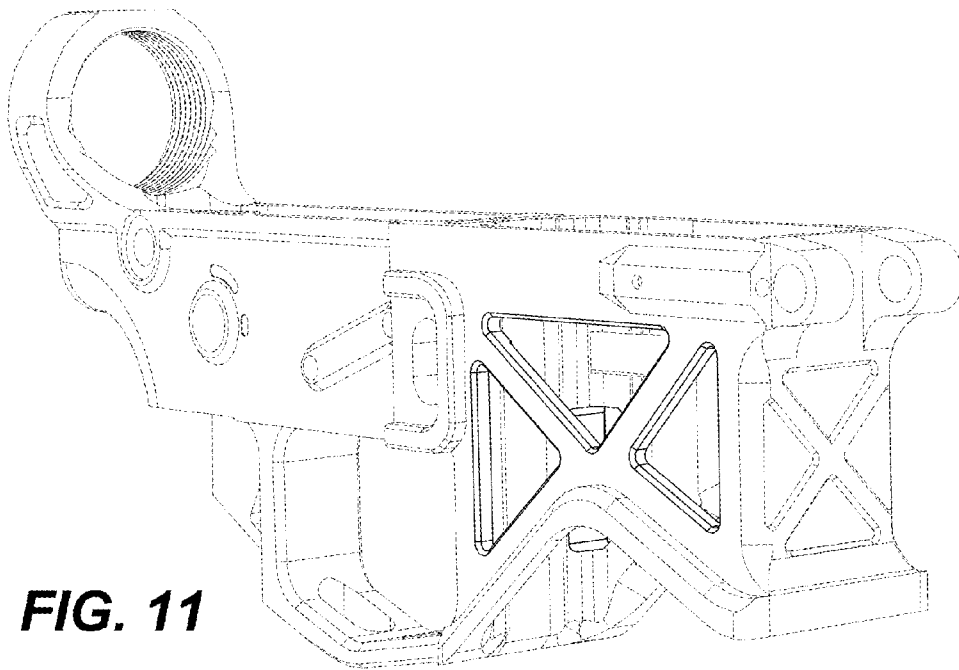
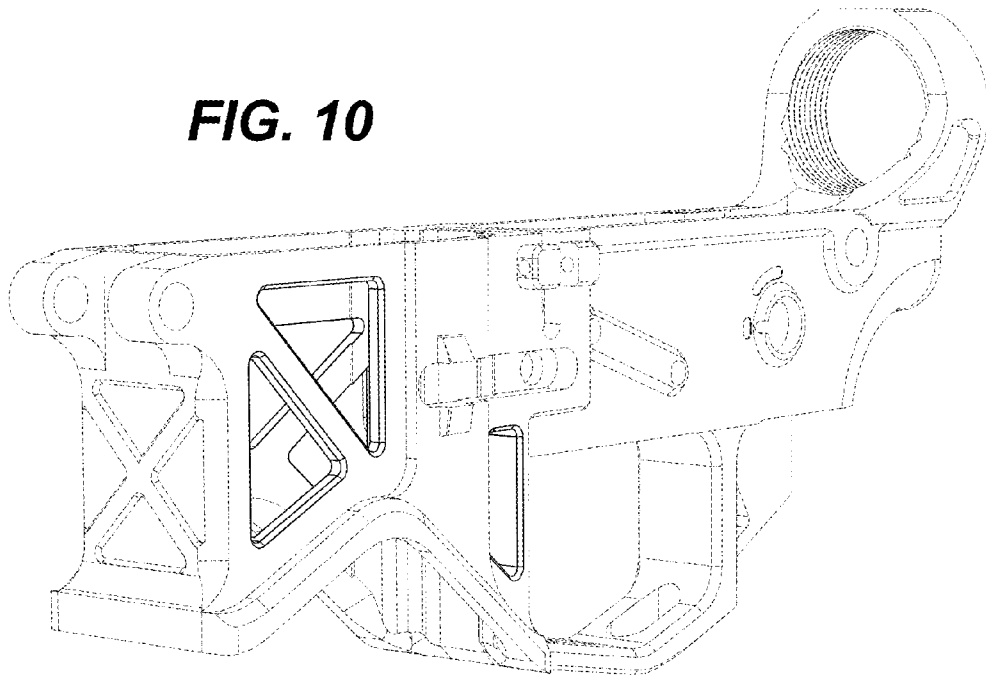


FIG. 11

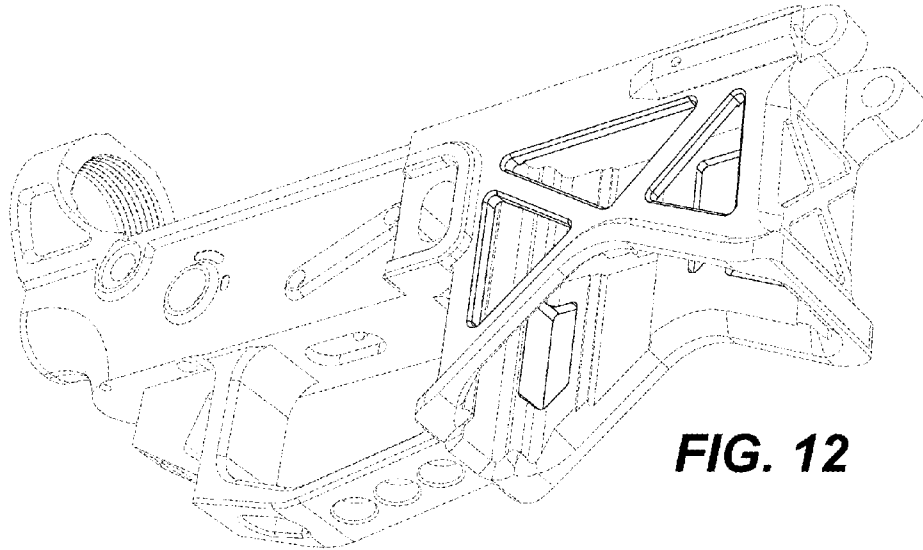


FIG. 12

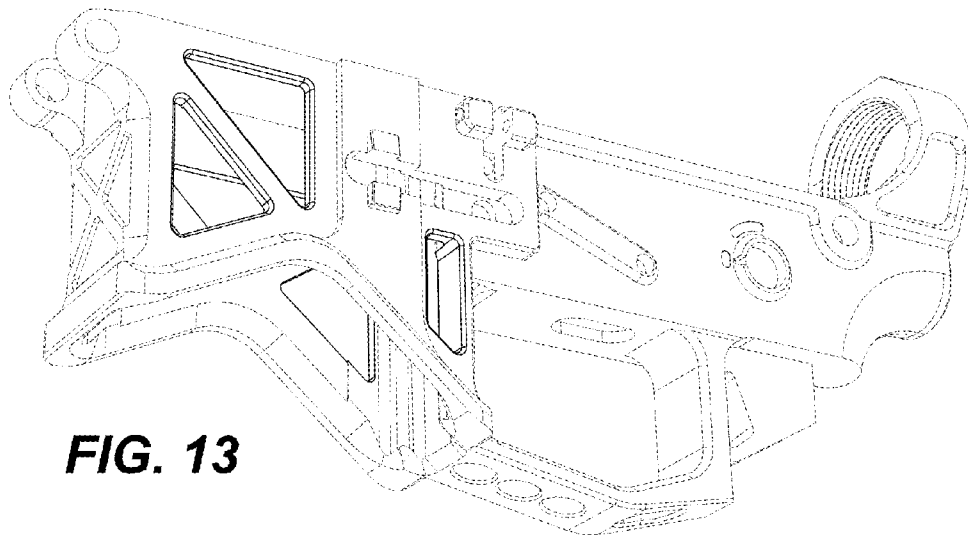


FIG. 13