



US00D444211S

(12) **United States Design Patent**
Müllenmeister

(10) **Patent No.:** **US D444,211 S**

(45) **Date of Patent:** **** Jun. 26, 2001**

- (54) **SHOWER FAUCET**
- (75) Inventor: **Daniel Müllenmeister**, Havixbeck (DE)
- (73) Assignee: **Friedrich Grohe AG & Co. KG**, Hemer (DE)
- (**) Term: **14 Years**

- D. 409,284 * 5/1999 Gottwald D23/238
- D. 409,727 * 5/1999 Lobermeier D23/238
- D. 434,470 * 11/2000 Fleischmann D23/200

* cited by examiner

Primary Examiner—Louis S. Zarfes
Assistant Examiner—Gregory Andoll
(74) *Attorney, Agent, or Firm*—Herbert Dubno

- (21) Appl. No.: **29/132,783**
- (22) Filed: **Nov. 15, 2000**

(57) **CLAIM**

The ornamental design for a shower faucet, as shown and described.

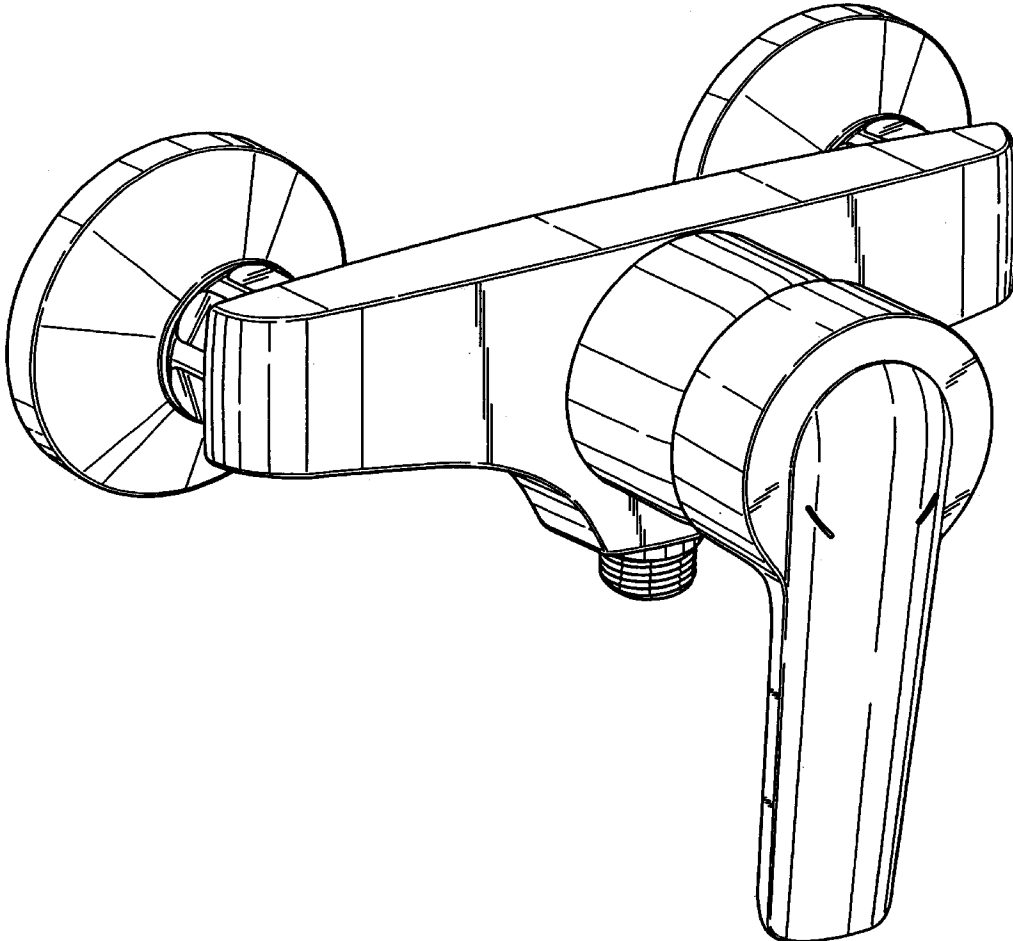
- (30) **Foreign Application Priority Data**
Jun. 22, 2000 (DE) 400 05 887
- (51) **LOC (7) Cl.** **23-01**
- (52) **U.S. Cl.** **D23/238**
- (58) **Field of Search** D23/238–243,
D23/245, 249–257; D8/300–310, 350–354;
4/675–678; 16/110 R–121; 137/801

DESCRIPTION

FIG. 1 is a top, front, left-side perspective view of a shower faucet showing my new design;
FIG. 2 is a left side elevational view thereof, the right side elevational view being mirror symmetrical thereto;
FIG. 3 is a front elevational view thereof;
FIG. 4 is a rear elevational view thereof;
FIG. 5 is a bottom plan view thereof; and,
FIG. 6 is a top plan view thereof.

- (56) **References Cited**
U.S. PATENT DOCUMENTS
D. 408,502 * 4/1999 Lobermeier D23/238

1 Claim, 6 Drawing Sheets



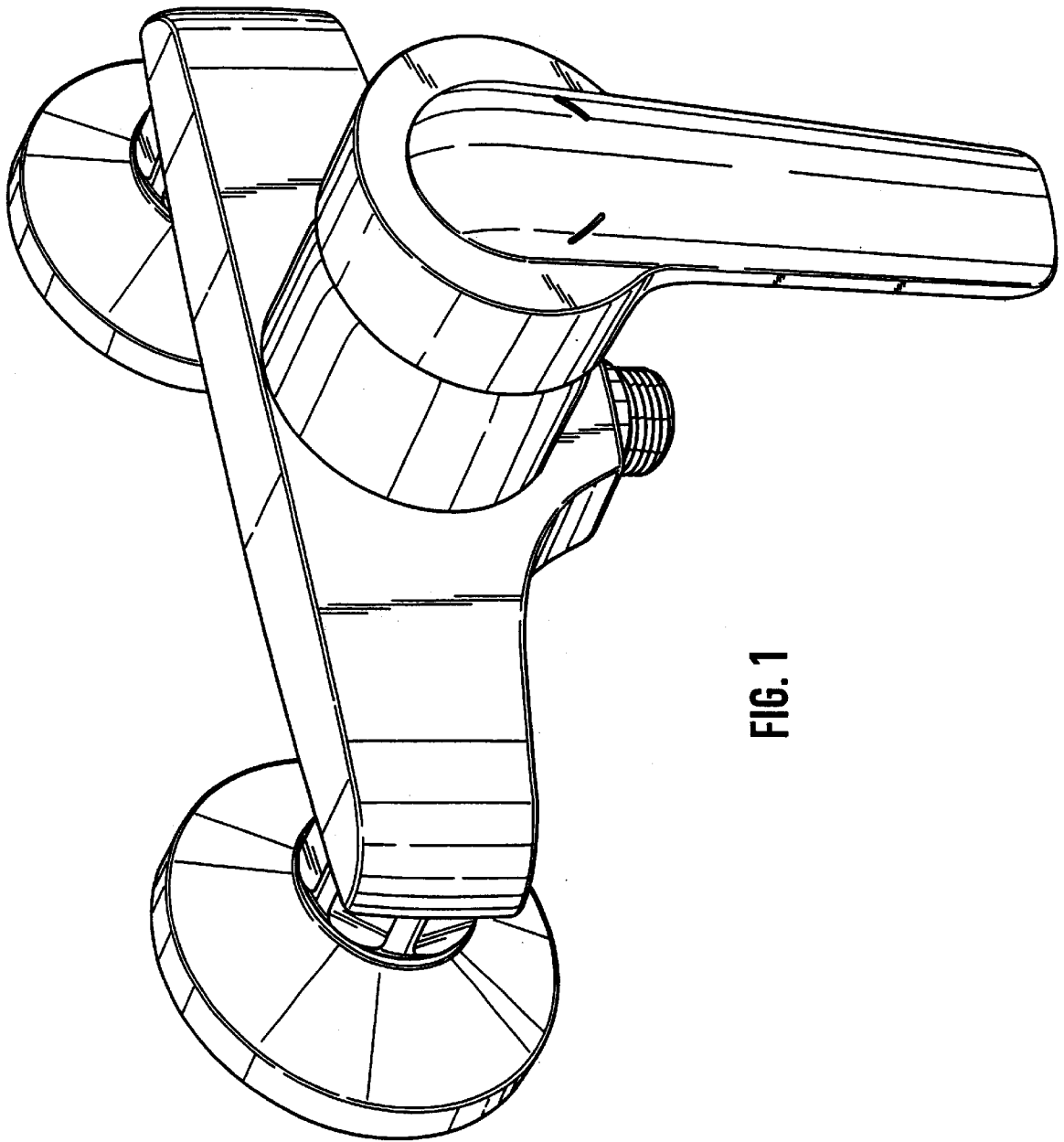


FIG. 1

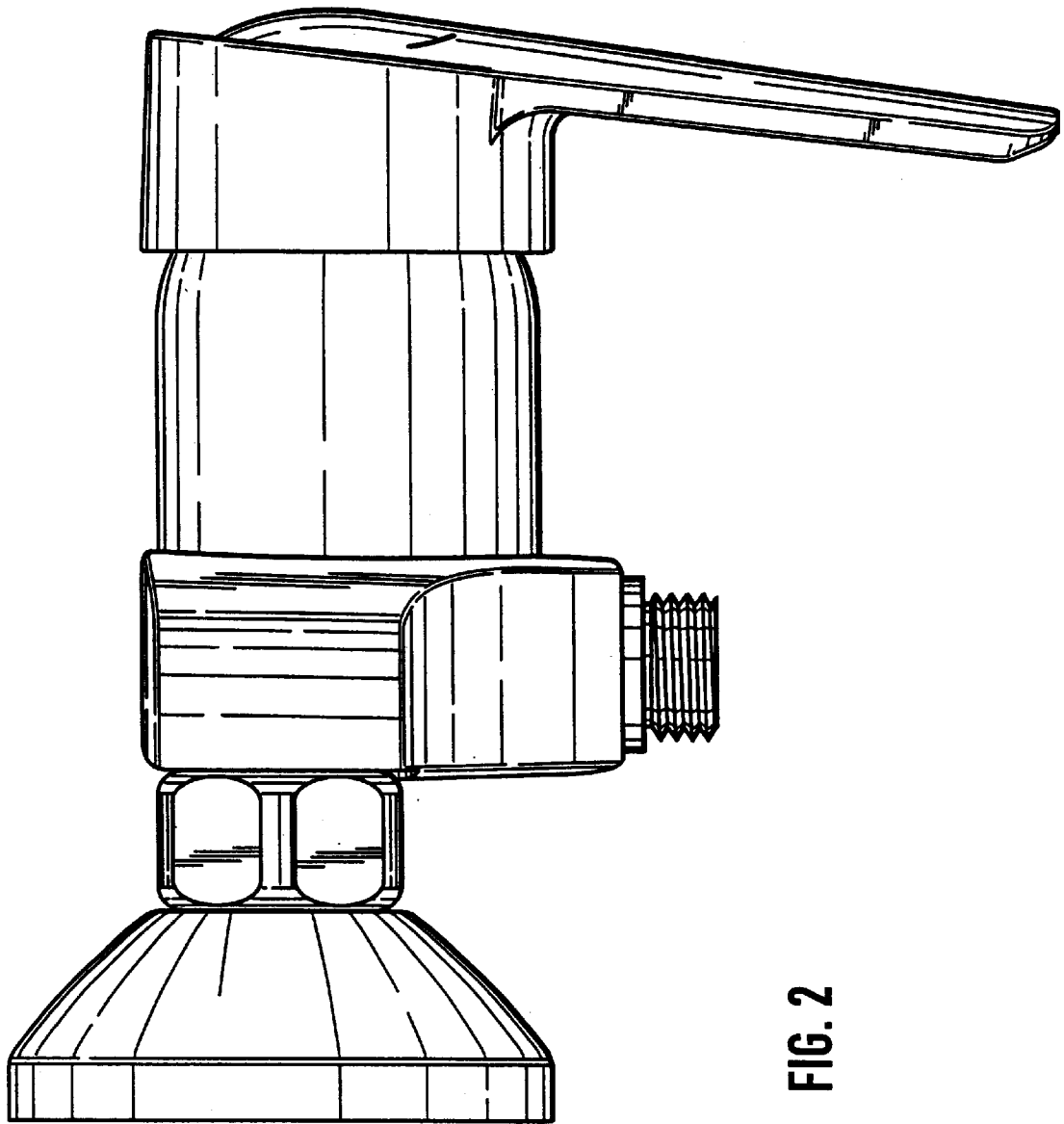


FIG. 2

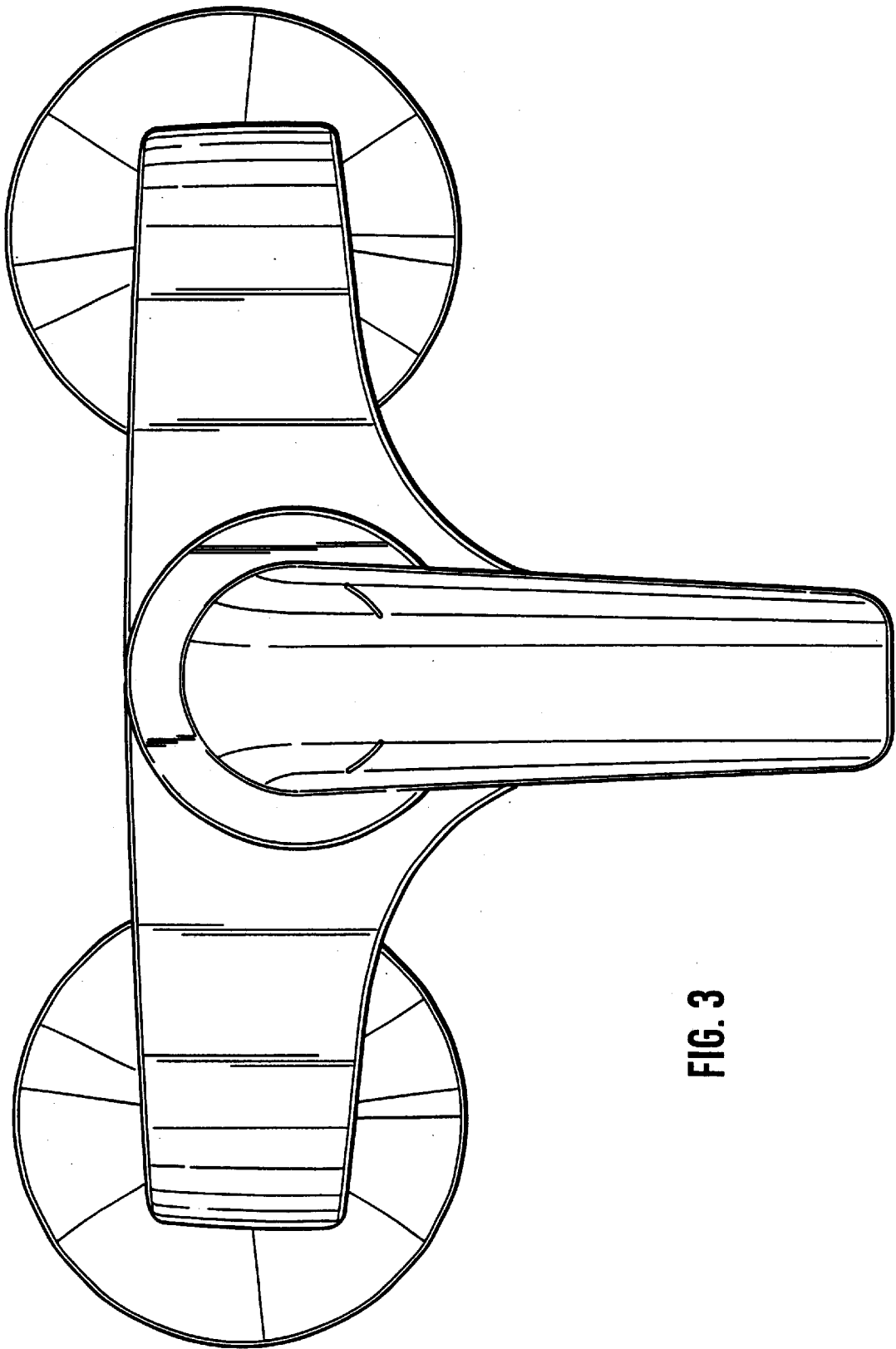


FIG. 3

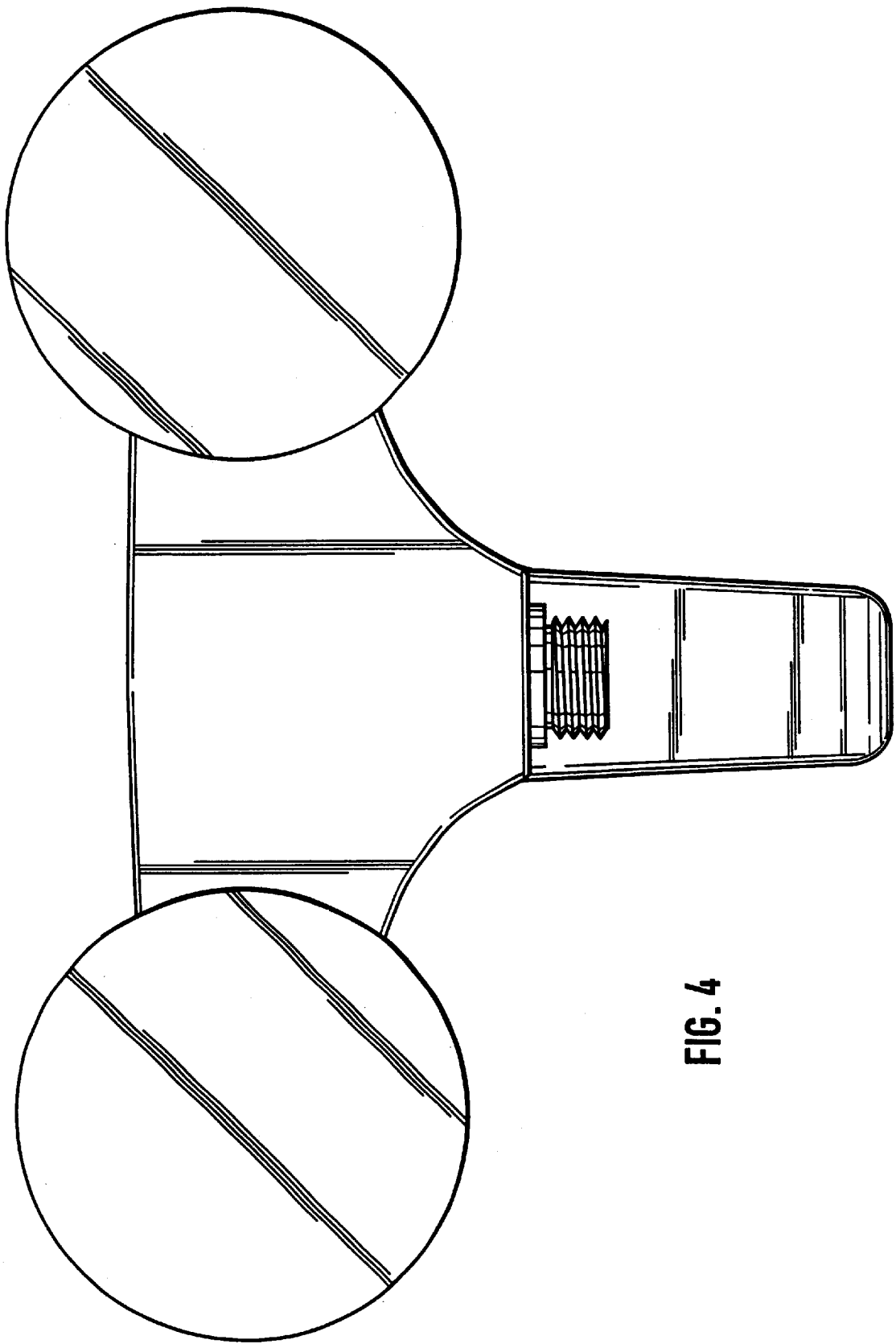
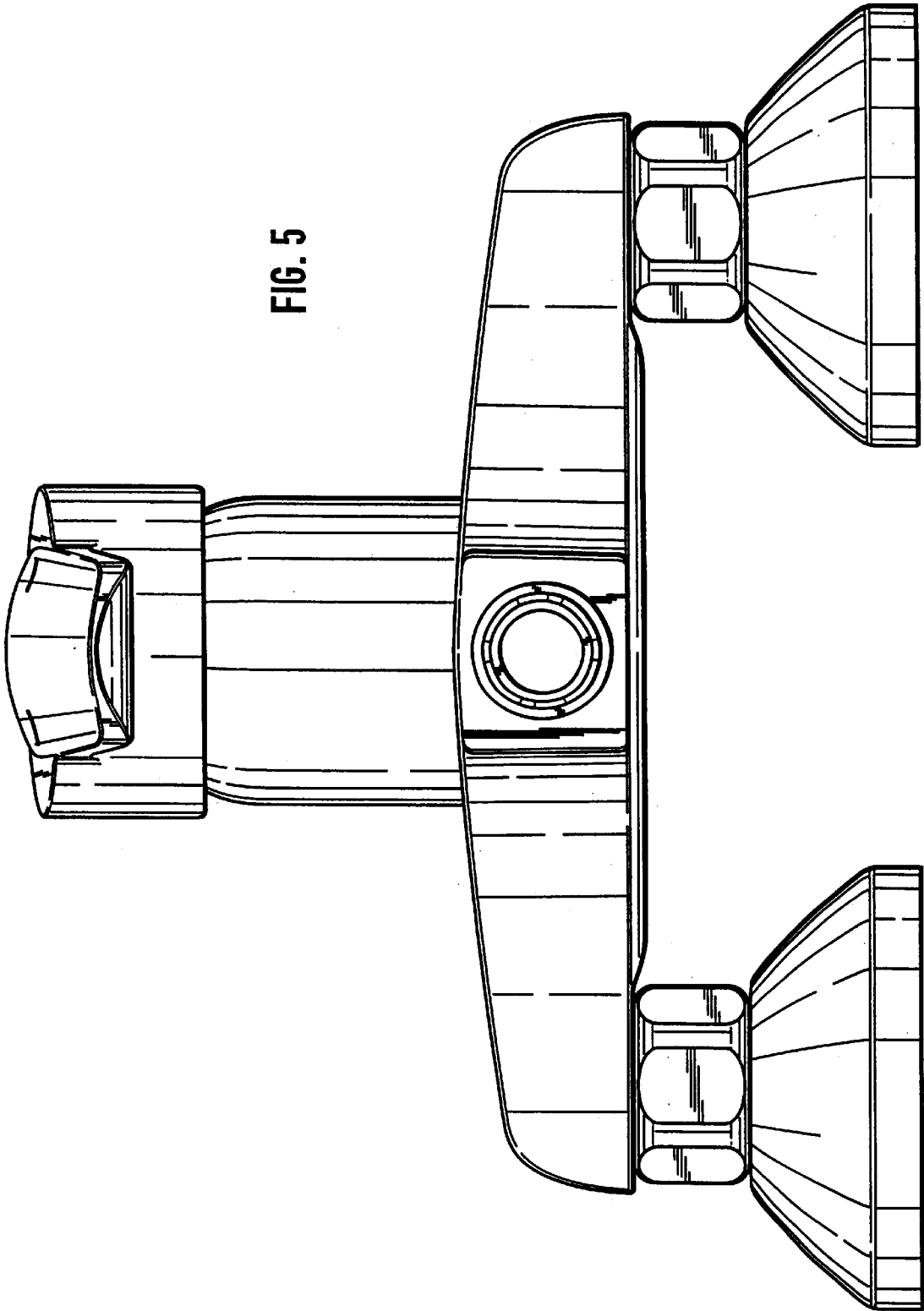


FIG. 4

FIG. 5



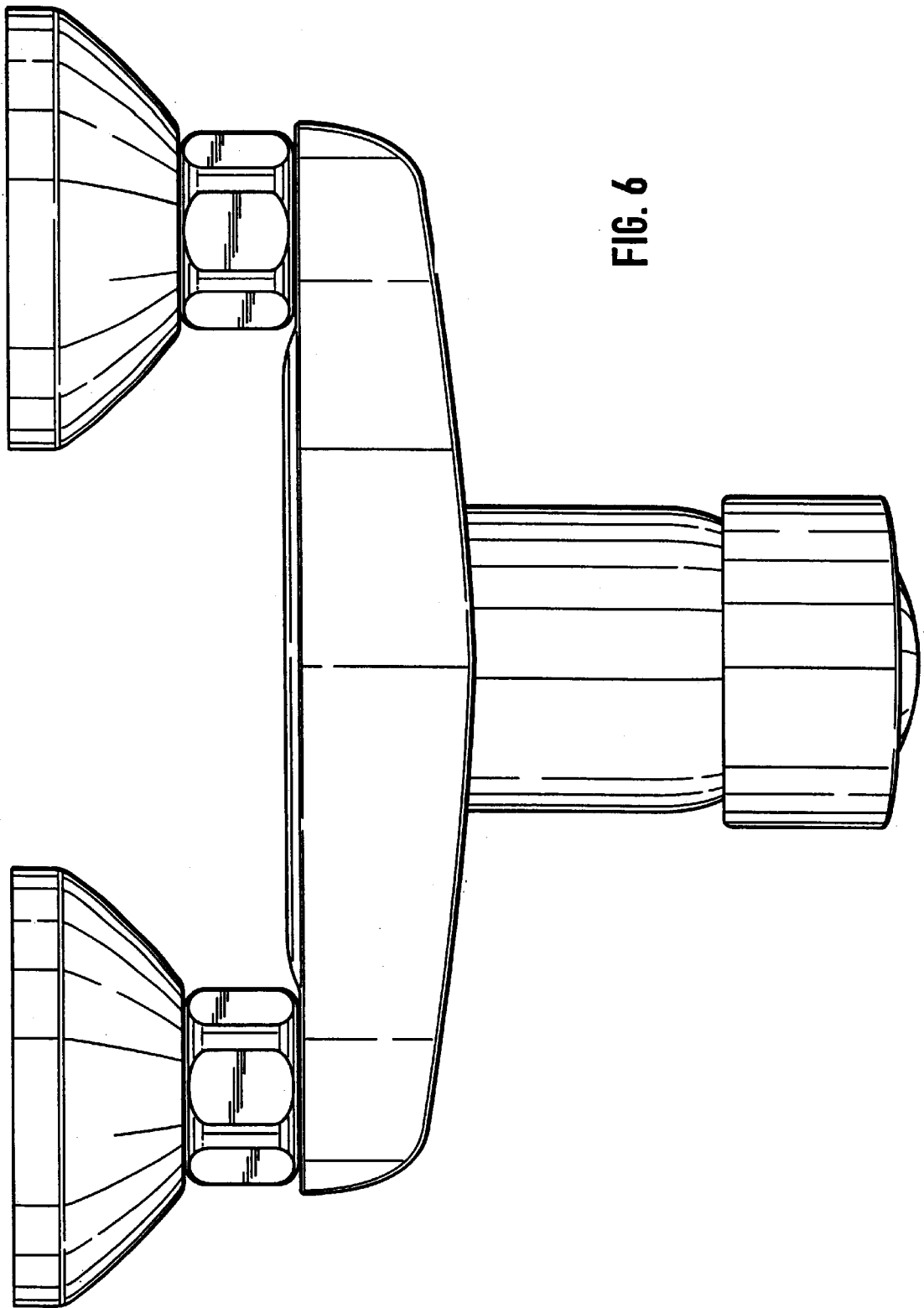


FIG. 6