



US0D1083000S

(12) **United States Design Patent** (10) **Patent No.:** **US D1,083,000 S**  
**Aguilar et al.** (45) **Date of Patent:** **\*\* Jul. 8, 2025**

(54) **COMBINATION STOCK, CHEEK RISER AND BUTT PAD ASSEMBLY**

(57) **CLAIM**

The ornamental design for a combination stock, cheek riser and butt pad assembly as shown and described.

(71) Applicant: **VK Integrated Systems, Inc.**, Fullerton, CA (US)

(72) Inventors: **Steve I. Aguilar**, Fullerton, CA (US); **Vasilios K. Kapogianis**, Fullerton, CA (US)

(73) Assignee: **VK Integrated Systems, Inc.**, Clarksville, TN (US)

(\*\*) Term: **15 Years**

(21) Appl. No.: **29/916,177**

(22) Filed: **Nov. 8, 2023**

(51) **LOC (15) Cl.** ..... **22-01**

(52) **U.S. Cl.**  
USPC ..... **D22/108**

(58) **Field of Classification Search**  
USPC ..... D22/103, 104, 108-111; D21/571-574, D21/567

(Continued)

(56) **References Cited**

**U.S. PATENT DOCUMENTS**

D640,342 S \* 6/2011 Fitzpatrick ..... D22/108  
D697,162 S \* 1/2014 Faifer ..... D22/108

(Continued)

**OTHER PUBLICATIONS**

TFB, posted Jul. 7, 2023 [online], [retrieved Jan. 29, 2025]. Retrieved from internet, <https://www.thefirearmblog.com/blog/2023/07/07/vk-integrated-systems-donates-ngsw-r-ar/> (Date:2025) (Year: 2023).\*

(Continued)

*Primary Examiner* — Holly E Thurman  
*Assistant Examiner* — Kristopher Michael Blechschmidt

(74) *Attorney, Agent, or Firm* — Paul J. Backofen, Esq.

**DESCRIPTION**

The file of this patent contains at least one drawing executed in color. Copies of this patent with color drawing(s) will be provided by the Office upon request and payment of the necessary fee.

FIG. 1 is a left-front perspective view of a black color combination stock, cheek riser and butt pad assembly showing our new design.

FIG. 2 is a bottom right rear perspective view thereof.

FIG. 3 is a top left rear perspective view thereof.

FIG. 4 is a bottom left rear perspective view thereof.

FIG. 5 is a top left front perspective view thereof.

FIG. 6 is a bottom left front perspective view thereof.

FIG. 7 is a top right front perspective view thereof.

FIG. 8 is a bottom right front perspective view thereof.

FIG. 9 is a right side view thereof.

FIG. 10 is a left-front perspective view of a flat dark earth color combination stock, cheek riser and butt pad assembly showing our new design.

FIG. 11 is a top plan view thereof.

FIG. 12 is a bottom plan view thereof.

FIG. 13 is a front elevation view thereof.

FIG. 14 is a rear elevation view thereof.

FIG. 15 is a top, right, rear perspective of the combination stock, cheek riser and butt pad assembly, shown with portions of the claim removed for clarity of the disclosure.

FIG. 16 is a bottom right rear perspective view thereof.

FIG. 17 is a right side view thereof.

FIG. 18 is a left side view thereof.

FIG. 19 is a top plan view thereof.

FIG. 20 is a bottom plan view thereof.

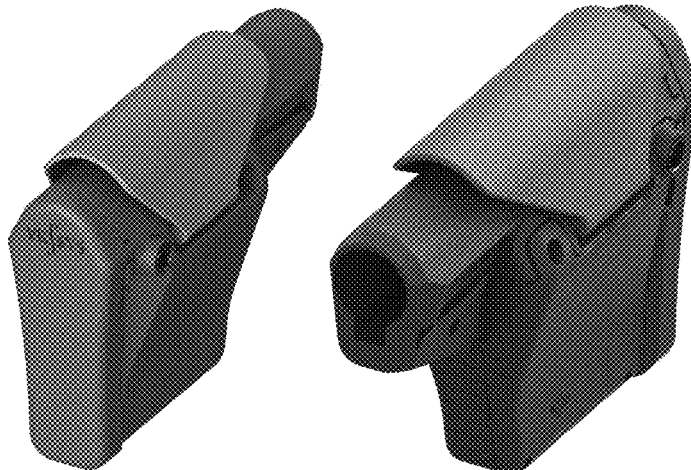
FIG. 21 is a front elevation view thereof.

FIG. 22 is a rear elevation view thereof.

FIG. 23 is a top right front perspective view thereof; and,

FIG. 24 is a bottom right front perspective view thereof.

(Continued)



The “VK/SYS” symbol forming part of the claimed design is a registered Trademark of VK Integrated Systems, Inc.

**1 Claim, 18 Drawing Sheets  
(18 of 18 Drawing Sheet(s) Filed in Color)**

(58) **Field of Classification Search**

CPC .. F41A 5/00; F41A 17/46; F41A 21/32; F41A 9/61; F41A 9/65; F41A 21/36; F41A 21/34; F41C 33/008; F41C 33/007; F41C 23/16; F41C 23/14; F41C 23/20; F41C 23/22; F41C 23/04; F41C 23/10; F41C 3/00; F41C 23/06; F41C 23/08; F41C 23/12; F41G 11/003

See application file for complete search history.

(56) **References Cited**

U.S. PATENT DOCUMENTS

D760,326 S \* 6/2016 Chu ..... D21/573  
 9,404,708 B1 \* 8/2016 Chow ..... F41C 23/14  
 D773,005 S \* 11/2016 Ding ..... D22/108

D818,074 S \* 5/2018 Ding ..... D22/108  
 D892,256 S \* 8/2020 Aguilar ..... D22/108  
 D993,349 S \* 7/2023 Aguilar ..... D22/108  
 D1,025,271 S \* 4/2024 Shen ..... D22/108  
 D1,031,900 S \* 6/2024 Aguilar ..... D22/108  
 D1,034,881 S \* 7/2024 Aguilar ..... D22/108  
 2011/0192067 A1\* 8/2011 Troy ..... F41C 23/06  
 42/73  
 2021/0018296 A1\* 1/2021 Faifer ..... F41C 23/04

OTHER PUBLICATIONS

VK, posted Jan. 29, 2024 [online], [retrieved Jan. 29, 2025]. Retrieved from internet, [https://www.linkedin.com/posts/vk-integrated-systems\\_tak-poweredbyvkis-vkis-activity-7089702028586692608-Wcae?trk=public\\_profile\\_like\\_view](https://www.linkedin.com/posts/vk-integrated-systems_tak-poweredbyvkis-vkis-activity-7089702028586692608-Wcae?trk=public_profile_like_view) (Date:2025) (Year: 2024).\*

Atak, posted Jan. 26, 2023 [online], [retrieved Jan. 29, 2025]. Retrieved from internet, <https://www.thefirearmblog.com/blog/2023/01/26/shot-2023-atak-integration/> (Date:2025) (Year: 2023).\*

Situational, posted unknown [online], [retrieved Jan. 29, 2025]. Retrieved from internet, <https://www.defenseadvancement.com/feature/situational-awareness-for-soldiers-enhancing-cohesion-control-with-sensor-technology> (Date:2025) (Year: 2025).\*

\* cited by examiner



Fig. 1



Fig. 2



Fig. 3

Fig. 4



Fig. 5





Fig. 6



Fig. 7

Fig. 8



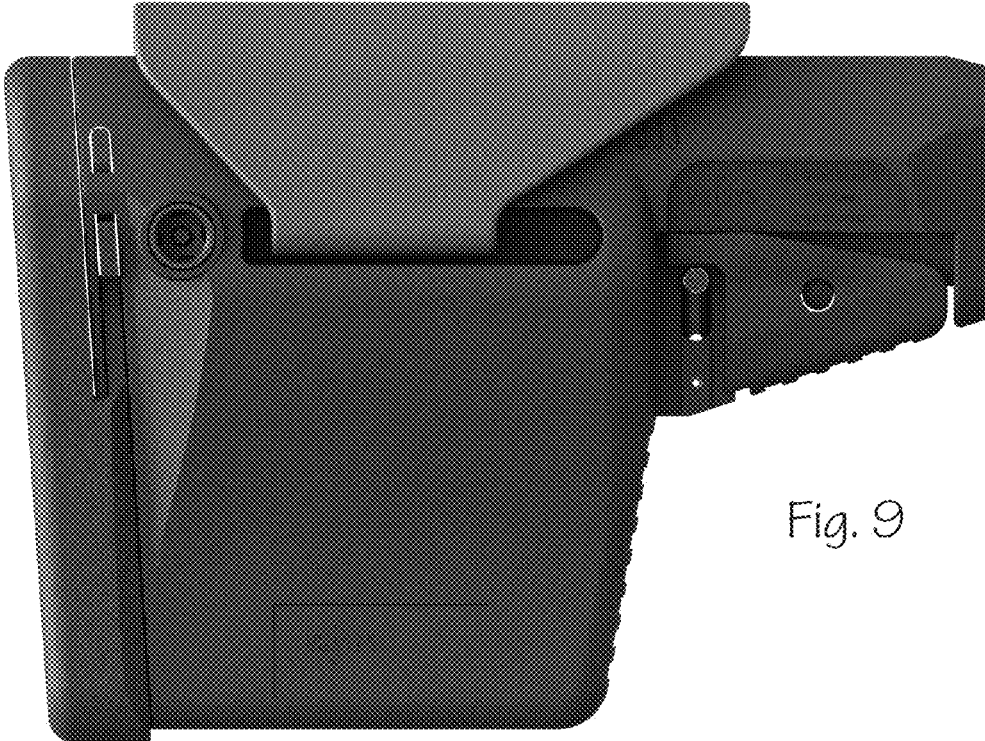


Fig. 9



Fig. 10

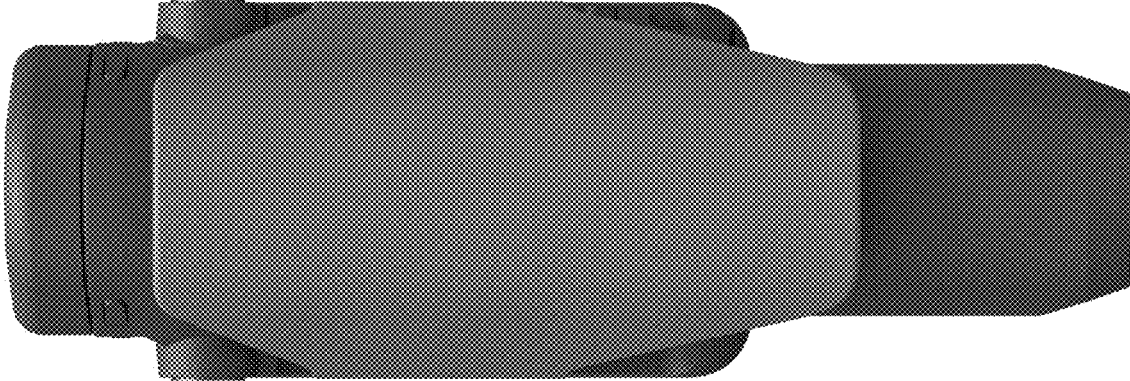


Fig. 11

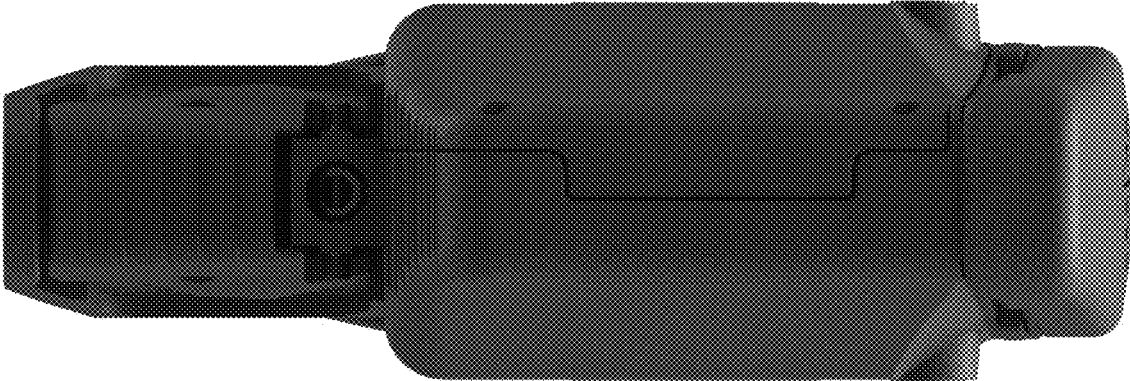


Fig. 12



Fig. 13

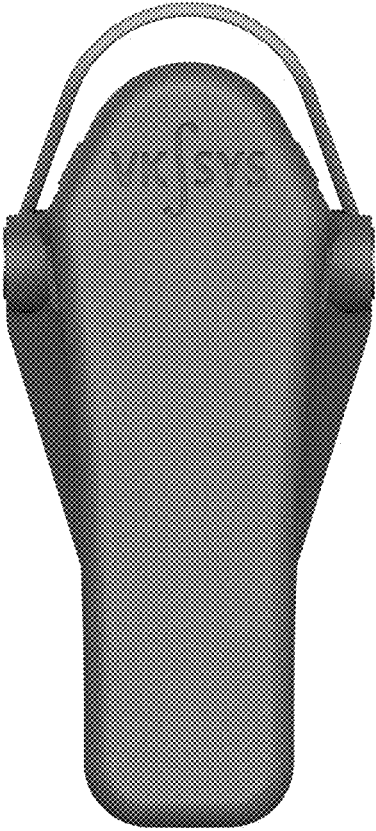


Fig. 14



Fig. 15



Fig. 16

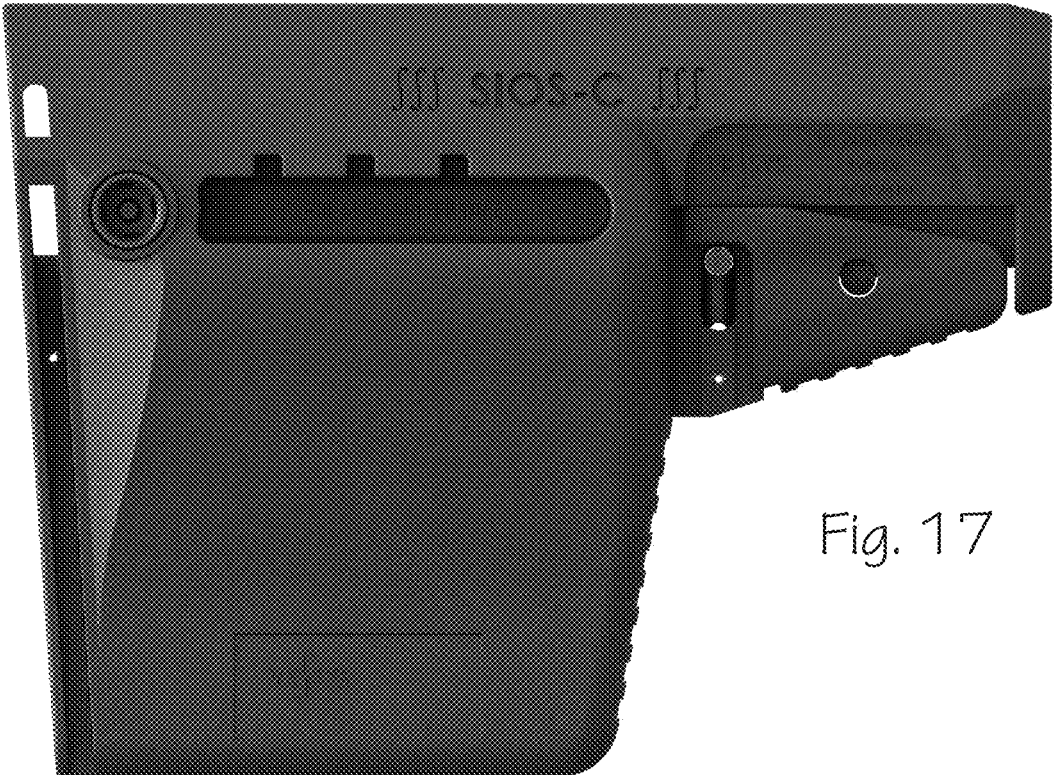


Fig. 17



Fig. 18

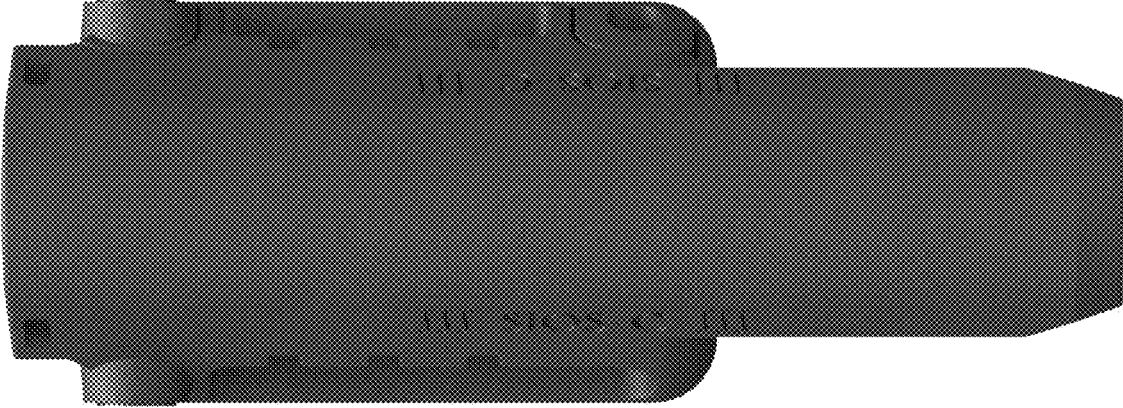


Fig. 19

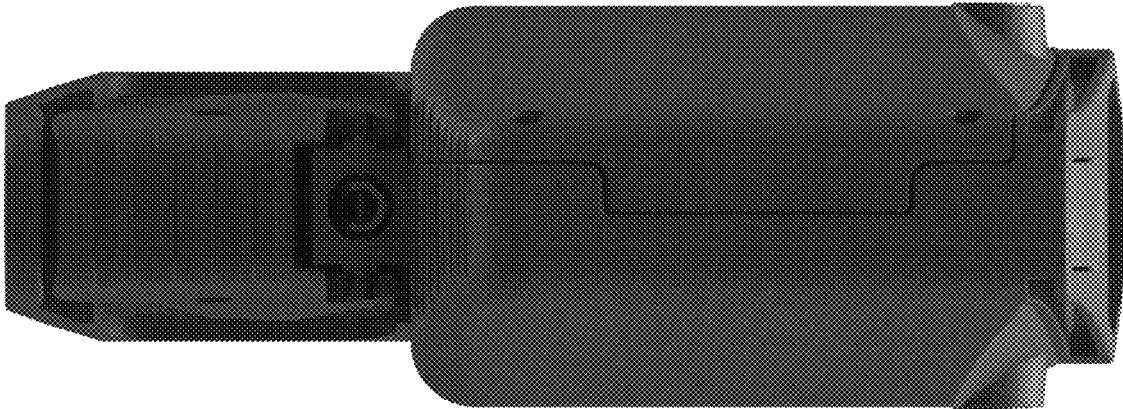


Fig. 20



Fig. 21

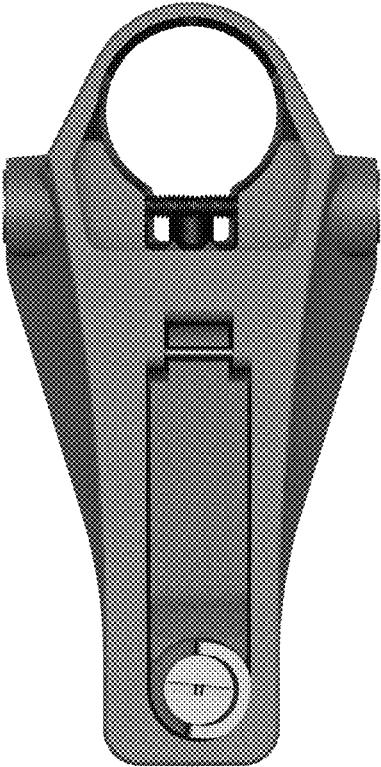


Fig. 22

Fig. 23



Fig. 24

