



(12) **United States Design Patent**
Stromborg

(10) **Patent No.:** **US D807,557 S**
(45) **Date of Patent:** **** Jan. 9, 2018**

- (54) **LUMINAIRE**
- (71) Applicant: **ZUMTOBEL LIGHTING GMBH**,
Dornbirn (AT)
- (72) Inventor: **Daniel Stromborg**, Los Angeles, CA
(US)
- (73) Assignee: **ZUMBOTEL LIGHTING GMBH**,
Dornbirn (AT)

D572,858 S *	7/2008	Santoro	D26/120
D579,598 S *	10/2008	Santoro	D26/76
D631,594 S *	1/2011	Irvine	D26/74
D646,012 S *	9/2011	Irvine	D26/74
D680,254 S *	4/2013	Mayfield, III	D26/74
D682,455 S *	5/2013	Apetauer	D26/74
D701,341 S *	3/2014	Mayfield, III	D26/74
D706,481 S *	6/2014	Holland	D26/78
D720,488 S *	12/2014	Toyohisa	D26/74
D730,556 S *	5/2015	Toyohisa	D26/74
D786,471 S *	5/2017	Snell	D26/74

- (**) Term: **15 Years**
- (21) Appl. No.: **29/563,045**
- (22) Filed: **May 2, 2016**

* cited by examiner

Primary Examiner — Angela J Lee
(74) *Attorney, Agent, or Firm* — Scully Scott Murphy and
Presser; Frank Digiglio

(30) **Foreign Application Priority Data**

Oct. 30, 2015 (EM) 002842179

- (51) **LOC (11) Cl.** **26-05**
- (52) **U.S. Cl.**
USPC **D26/74**

- (58) **Field of Classification Search**
USPC D26/74, 72, 75, 76, 77, 78, 85, 88, 89,
D26/118, 138, 141; 362/364, 365, 373,
362/145, 146, 147, 148, 150, 153, 153.1,
362/294, 296.01, 296.07, 296.08
See application file for complete search history.

(57) **CLAIM**

The ornamental design for a luminaire, as shown and described.

(56) **References Cited**

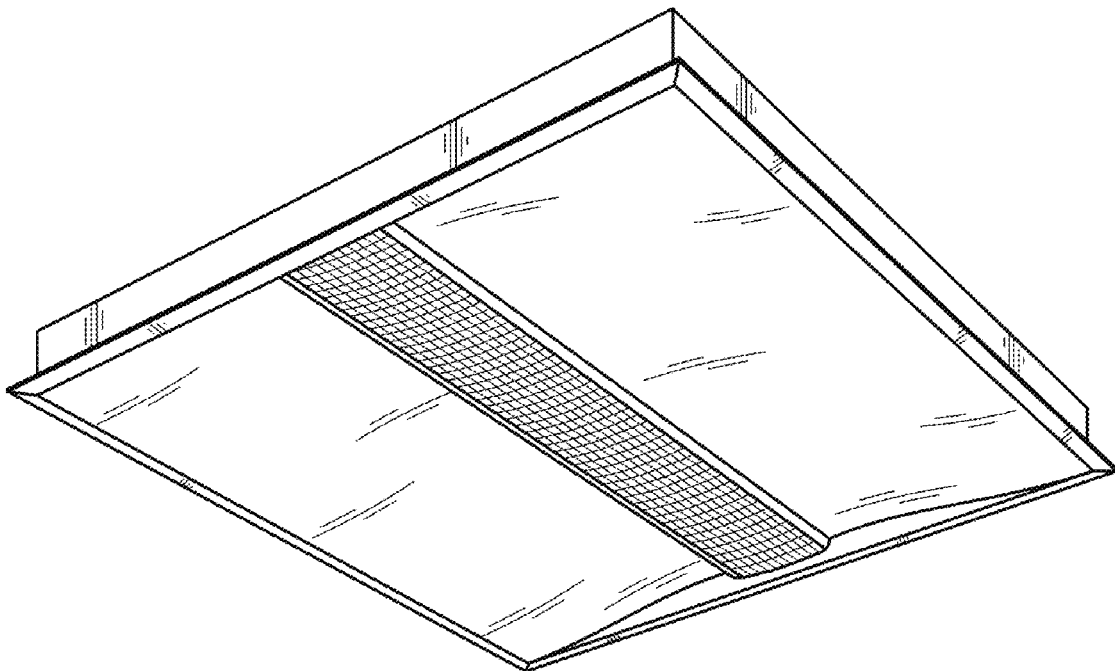
U.S. PATENT DOCUMENTS

D477,891 S *	7/2003	Fritze	D26/74
D556,358 S *	11/2007	Santoro	D26/74

DESCRIPTION

FIG. 1 illustrates a perspective view of the luminaire, showing my new and ornamental design;
FIG. 2 illustrates a side view thereof;
FIG. 3 illustrates a side view thereof;
FIG. 4 illustrates a side view thereof;
FIG. 5 illustrates a side view thereof;
FIG. 6 illustrates a bottom view thereof; and,
FIG. 7 illustrates a top view thereof.

1 Claim, 4 Drawing Sheets



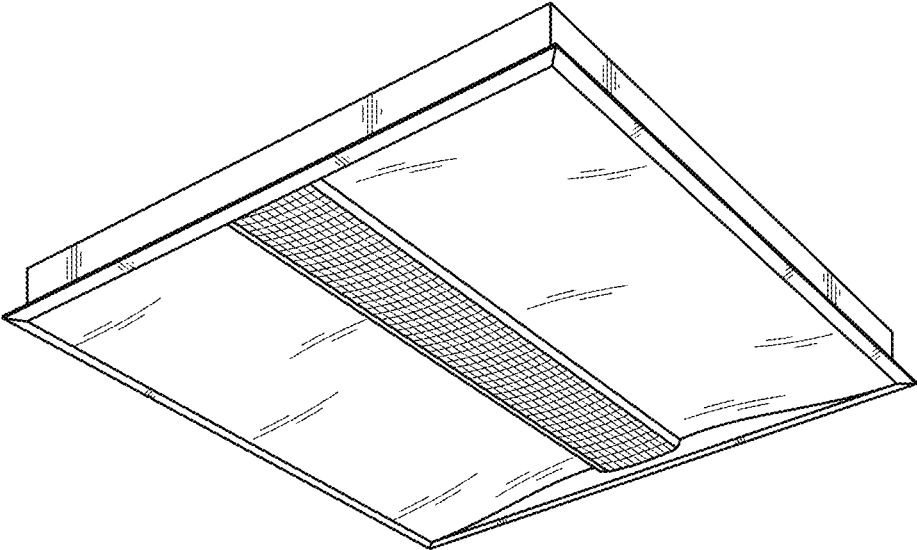


Fig. 1

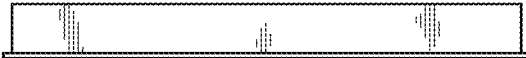


Fig. 2



Fig. 3

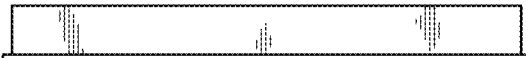


Fig. 4



Fig. 5

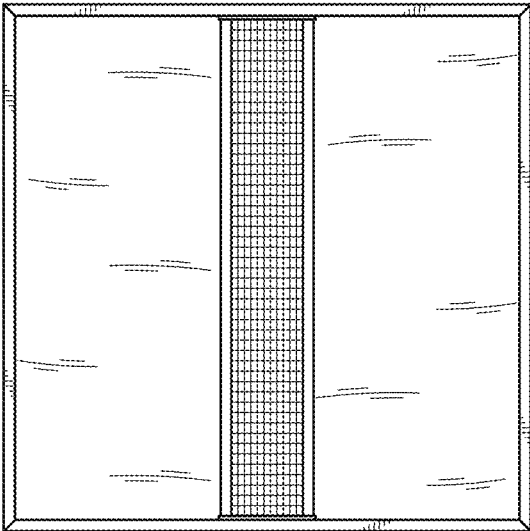


Fig. 6

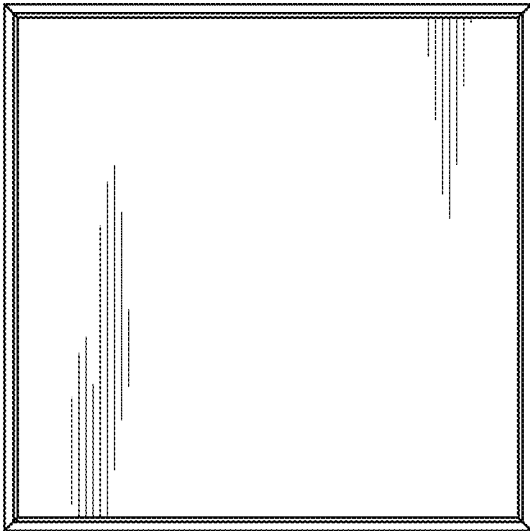


Fig. 7