



US00D527119S

(12) **United States Design Patent**
Maxik et al.

(10) **Patent No.:** **US D527,119 S**

(45) **Date of Patent:** **** Aug. 22, 2006**

(54) **LED LIGHT BULB**

(75) Inventors: **Fredric S. Maxik**, Plantation, FL (US);
Addy S. Widjaja, Davie, FL (US)

(73) Assignee: **Lighting Science Group Corporation**,
Dallas, TX (US)

(**) Term: **14 Years**

(21) Appl. No.: **29/235,139**

(22) Filed: **Jul. 27, 2005**

(51) **LOC (8) Cl.** **26-04**

(52) **U.S. Cl.** **D26/2**

(58) **Field of Classification Search** D26/1-4;
313/113, 313, 315, 317, 318, 493; 315/52,
315/56, 57, 58

See application file for complete search history.

(56) **References Cited**

U.S. PATENT DOCUMENTS

4,423,473 A	12/1983	Kirkley	
4,455,562 A	6/1984	Dolan et al.	
D302,863 S	* 8/1989	Krol D26/26
D325,994 S	* 5/1992	Hume et al. D26/2
5,136,483 A	8/1992	Schöniger	
5,162,696 A	11/1992	Goodrich	
5,175,528 A	12/1992	Choi et al.	
D336,963 S	* 6/1993	Levin et al. D26/2
5,313,187 A	5/1994	Choi et al.	
5,358,880 A	10/1994	Lebby et al.	
5,439,941 A	8/1995	Butler et al.	
5,585,783 A	12/1996	Hall	
5,707,132 A	1/1998	Ooki et al.	
5,749,646 A	5/1998	Brittill	
D395,092 S	6/1998	Vakil	
5,782,553 A	7/1998	McDermott	
5,929,788 A	7/1999	Vukosic	
6,016,038 A	1/2000	Mueller et al.	
D427,335 S	6/2000	Noll	
D433,166 S	* 10/2000	Noll D26/2
6,150,771 A	11/2000	Perry	
6,150,774 A	11/2000	Mueller et al.	
6,166,496 A	12/2000	Lys et al.	

6,211,626 B1	4/2001	Lys et al.
6,220,722 B1	4/2001	Begemann
6,227,679 B1	5/2001	Zhang et al.
6,285,119 B1	9/2001	Sundhar
6,293,684 B1	9/2001	Riblett

(Continued)

FOREIGN PATENT DOCUMENTS

DE	101 05 622 A1	8/2002
EP	0 441 965 A1	8/1991
EP	0 939 429 A1	9/1999
FR	2 586 844	3/1987
JP	10-305453	11/1998
JP	2001 243807	9/2001
JP	2001 325809	11/2001
WO	WO 03/034458 A2	4/2003
WO	WO 2004/003869	1/2004

OTHER PUBLICATIONS

Fredric S. Maxik, U.S. Appl. No. 60/554,469, filed Mar. 18, 2004 for "Lightbulb Using Electronically Activated Light Emitting Elements and Method of Making Same".

(Continued)

Primary Examiner—Marcus A. Jackson
(74) *Attorney, Agent, or Firm*—Haynes and Boone, LLP

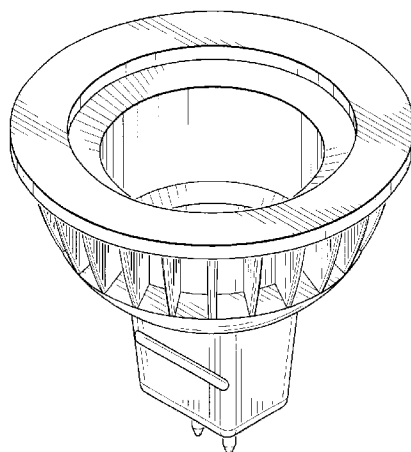
(57) **CLAIM**

The ornamental design for an LED light bulb, as shown and described.

DESCRIPTION

FIG. 1 is a top perspective view of an LED light bulb showing our design;
FIG. 2 is a bottom perspective view thereof;
FIG. 3 is a front elevational view thereof;
FIG. 4 is a right side elevational view thereof;
FIG. 5 is a top plan view thereof;
FIG. 6 is a bottom plan view thereof; and,
FIG. 7 is a perspective view similar to FIG. 1 but showing a variation of our design.

1 Claim, 3 Drawing Sheets



U.S. PATENT DOCUMENTS

6,345,903 B1 2/2002 Koike et al.
 6,369,781 B1 4/2002 Hashimoto et al.
 6,371,636 B1 4/2002 Wesson
 6,489,937 B1 12/2002 Ruvinsky
 D470,606 S 2/2003 Bobel
 D470,608 S 2/2003 Bobel
 D470,610 S 2/2003 Bobel
 6,523,978 B1 2/2003 Huang
 6,548,967 B1 4/2003 Dowling et al.
 6,580,228 B1 6/2003 Chen et al.
 6,600,274 B1 7/2003 Hughes
 6,608,453 B1 8/2003 Morgan et al.
 6,621,222 B1 9/2003 Hong
 D482,143 S 11/2003 Buschmann et al.
 6,659,632 B1 12/2003 Chen
 6,662,489 B1 12/2003 Spiro et al.
 6,674,096 B1 1/2004 Sommers
 6,683,419 B1 1/2004 Kriparos
 6,697,130 B1 2/2004 Weindorf et al.
 D487,940 S 3/2004 Buschmann et al.
 6,707,247 B1 3/2004 Murano
 6,709,126 B1 3/2004 Leen
 6,709,132 B1 3/2004 Ishibashi
 6,724,156 B1 4/2004 Fregoso
 D490,919 S 6/2004 Wiesmeth
 D491,301 S 6/2004 Chen
 D493,007 S 7/2004 Rugendyke et al.
 D498,310 S 11/2004 Gagnon et al.
 6,822,397 B1 11/2004 Kawasaki et al.
 D500,872 S 1/2005 Foo
 D501,055 S 1/2005 Packard
 6,840,003 B1 1/2005 Moore
 6,900,781 B1 5/2005 Mori et al.
 D508,575 S 8/2005 Buschmann et al.
 D516,229 S * 2/2006 Tang D26/2
 2001/0024112 A1 9/2001 Jacobs et al.
 2001/0055353 A1 12/2001 Rybicki et al.
 2002/0187570 A1 12/2002 Fukasawa et al.
 2003/0031015 A1 2/2003 Ishibashi
 2003/0072145 A1 4/2003 Nolan et al.
 2003/0090910 A1 5/2003 Chen
 2003/0117803 A1 6/2003 Chen
 2004/0037080 A1 2/2004 Luk et al.
 2005/0007304 A1 1/2005 Gallagher et al.

2005/0174769 A1 8/2005 Yong et al.

OTHER PUBLICATIONS

Fredric S. Maxik, U.S. Appl. No. 60/565,268, filed Apr. 23, 2004 for “Electronic Light Generating Element Lightbulb”.
 Fredric S. Maxik, U.S. Appl. No. 60/567,082, filed Apr. 30, 2004 for “Wide Angle Light Dispersion Electronically Activated Lightbulb and Method of Making Same”.
 Fredric S. Maxik, U.S. Appl. No. 60/567,226, filed Apr. 30, 2004 for “Lightbulb Using Electronic Light Generating Sources”.
 Fredric S. Maxik and Catherina G.M. Friderici, U.S. Appl. No. 29/224,334, filed Feb. 28, 2005 for “Flashlight”.
 Fredric S. Maxik and Catherina G.M. Friderici, U.S. Appl. No. 29/224,333, filed Feb. 28, 2005 for “Floodlight”.
 Fredric S. Maxik, U.S. Appl. No. 10/915,137, filed Aug. 9, 2004 for “System and Method for Providing Multi-Functional Lighting Using High-Efficiency Lighting Elements in an Environment”.
 Fredric S. Maxik, U.S. Appl. No. 10/915,138, filed Aug. 9, 2004 for “Light Bulb Having Surfaces for Reflecting Light Produced by Electronic Light Generating Sources”.
 Fredric S. Maxik, U.S. Appl. No. 10/915,278, filed Aug. 9, 2004 for “Lighting Element Using Electronically Activated Light Emitting Elements and Method of Making Same”.
 Fredric S. Maxik, U.S. Appl. No. 10/915,301, filed Aug. 9, 2004 for “Light Bulb Having Wide Angle Light Dispersion and Method of Making Same”.
 Fredric S. Maxik, U.S. Appl. No. 10/915,531, filed Aug. 9, 2004 for “Electronic Light Generating Element Light Bulb”.
 Fredric S. Maxik, U.S. Appl. No. 29/214,892, filed Oct. 8, 2004 for “LED Light Bulb”.
 Fredric S. Maxik, U.S. Appl. No. 29/214,893, filed Oct. 8, 2004 for “LED Light Bulb”.
 Fredric S. Maxik and Addy S. Widjaja, U.S. Appl. No. 29/235,140, filed Jul. 27, 2005 for “LED Light Bulb”.
 Fredric S. Maxik, U.S. Appl. No. 29/235,514, filed, Aug. 2, 2005 for “LED Light Bulb”.
 Fredric S. Maxik, U.S. Appl. No. 29/243,097, filed Nov. 18, 2005 for “LED Light Bulb”.

* cited by examiner

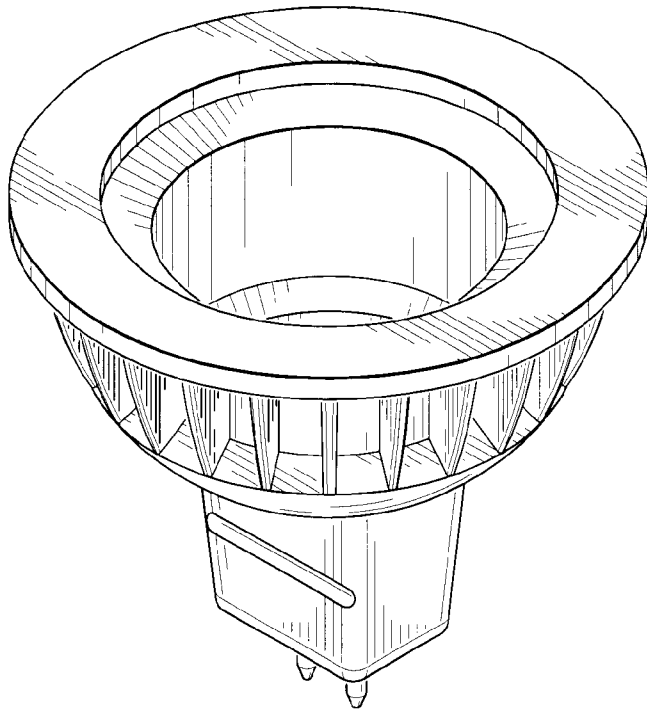


Fig. 1

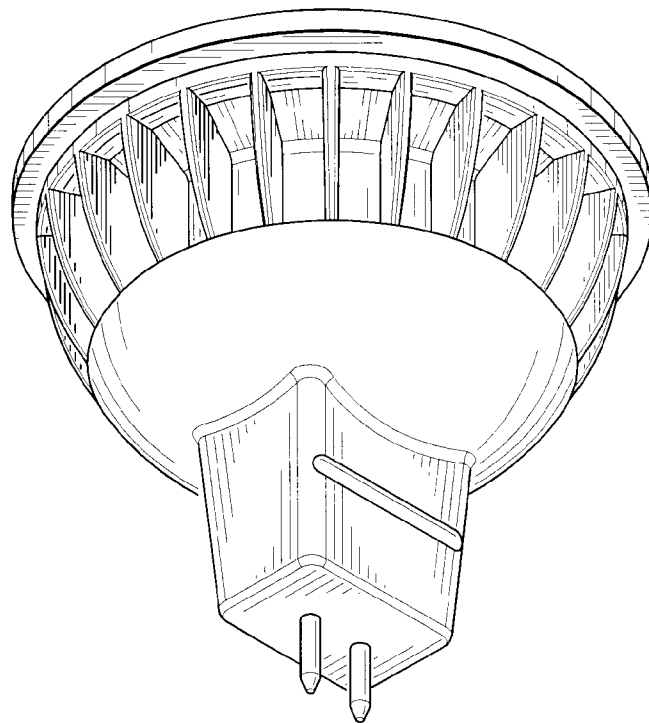


Fig. 2

Fig. 3

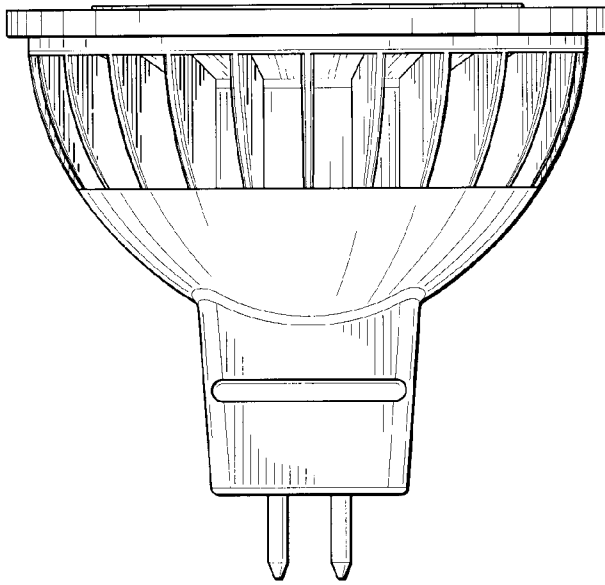


Fig. 4

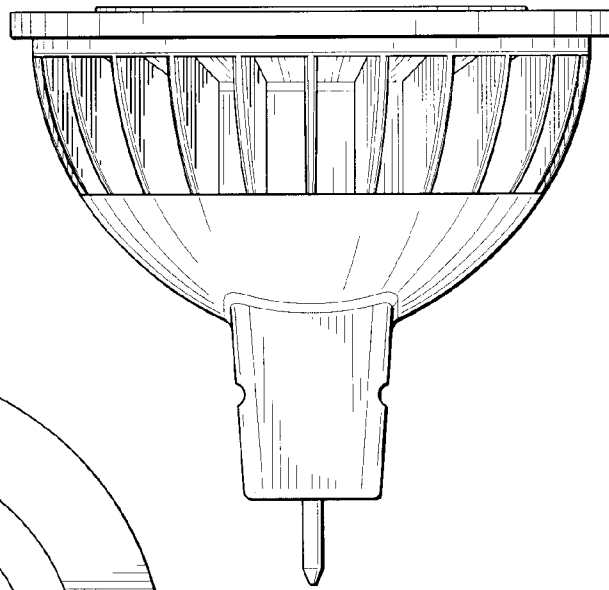
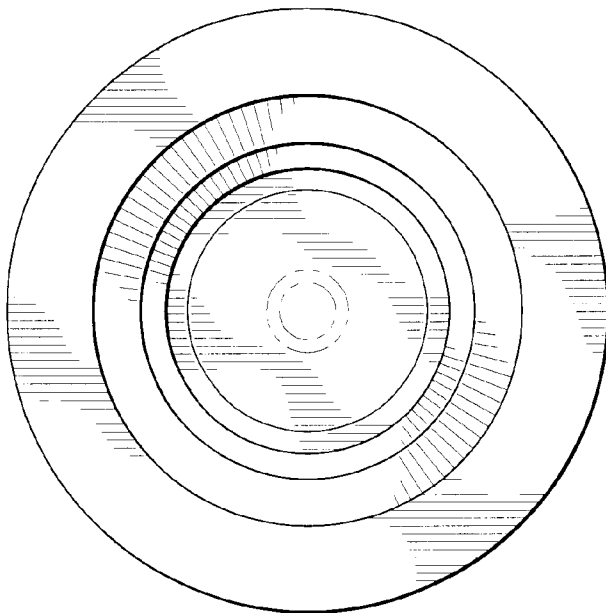


Fig. 5



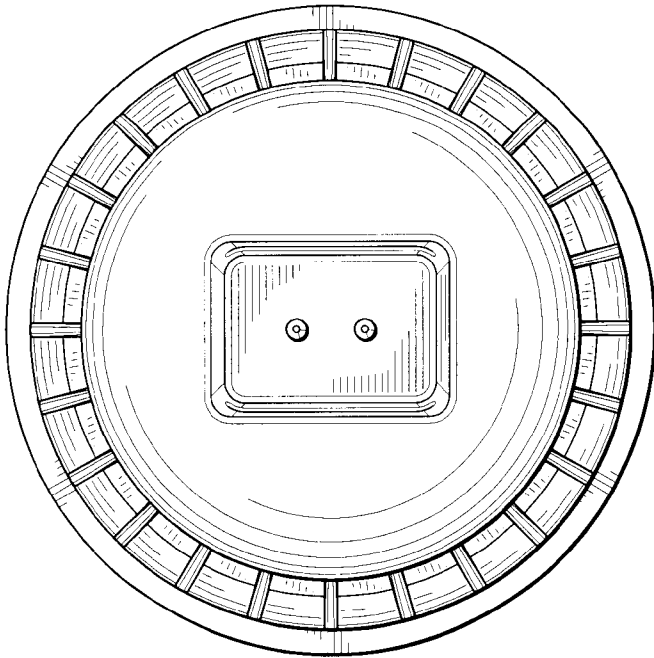


Fig. 6

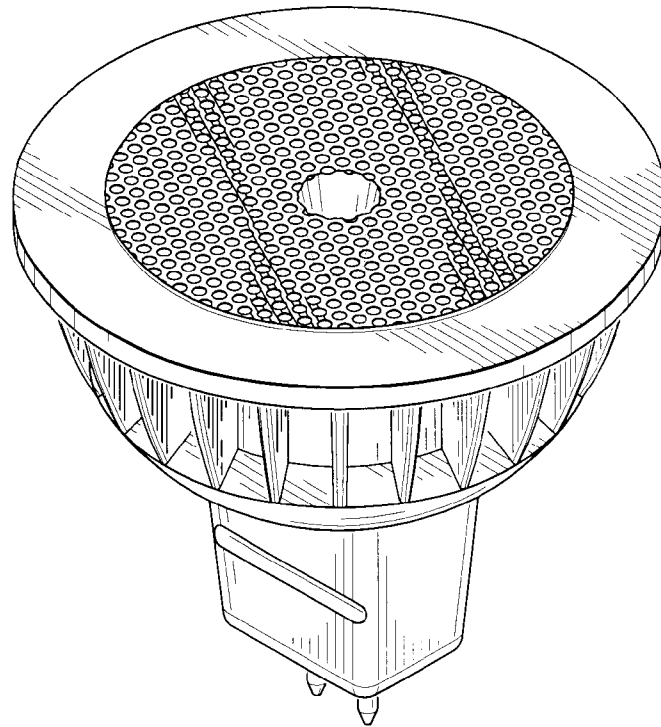


Fig. 7