

(19) World Intellectual Property Organization
International Bureau



(43) International Publication Date
9 August 2001 (09.08.2001)

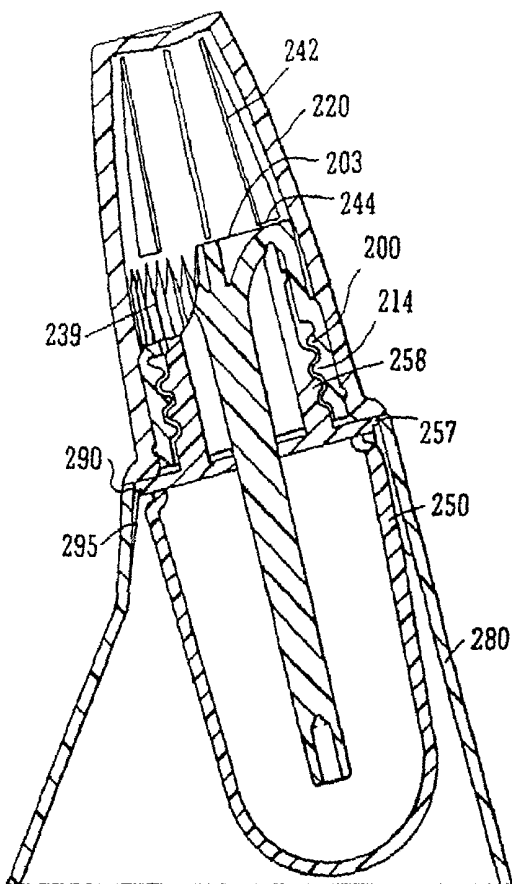
PCT

(10) International Publication Number
WO 01/56894 A3

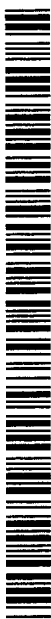
- (51) International Patent Classification⁷: **B65D 41/04**, 50/04
- (72) Inventors; and
- (75) Inventors/Applicants (for US only): **DOHERTY, Michael, Anthony** [GB/IE]; Gurteen, Foxford, Co. Mayo (IE). **SEYMORE, Geoffrey, Francis** [IE/IE]; Sugar Loaf Farm, Kilmacanogue, Co. Wicklow (IE).
- (21) International Application Number: PCT/IE01/00018
- (74) Agents: **LANE, Cathal, Michael** et al.; Tomkins & Co., 5 Dartmouth Road, Dublin 6 (IE).
- (22) International Filing Date: 7 February 2001 (07.02.2001)
- (25) Filing Language: English
- (81) Designated States (national): AE, AG, AL, AM, AT, AU, AZ, BA, BB, BG, BR, BY, BZ, CA, CH, CN, CR, CU, CZ, DE, DK, DM, DZ, EE, ES, FI, GB, GD, GE, GH, GM, HR, HU, ID, IL, IN, IS, JP, KE, KG, KP, KR, KZ, LC, LK, LR, LS, LT, LU, LV, MA, MD, MG, MK, MN, MW, MX, MZ, NO, NZ, PL, PT, RO, RU, SD, SE, SG, SI, SK, SL, TJ, TM, TR, TT, TZ, UA, UG, US, UZ, VN, YU, ZA, ZW.
- (26) Publication Language: English
- (30) Priority Data: 2000/0110 7 February 2000 (07.02.2000) IE
- (84) Designated States (regional): ARIPO patent (GH, GM, KE, LS, MW, MZ, SD, SL, SZ, TZ, UG, ZW), Eurasian
- (71) Applicant (for all designated States except US): **LOC-TITE (R & D) LIMITED** [IE/IE]; Tallaght Business Park, Whitestown, Tallaght, Dublin 24 (IE).

[Continued on next page]

(54) Title: CAP ASSEMBLY WITH APPLICATOR



(57) Abstract: A cap assembly for closing a container. The cap assembly has: (i) an undercap having a cap body with a top end (or wall) and with at least one endless side wall depending from the top end (or wall) to form a housing for receiving the neck of a container; (ii) an overcap having an overcap body with a top end and with at least one endless side wall depending from the top end to form a housing for receiving and engaging the (cap body of the) undercap; and (iii) an applicator having a stem with a first end for engagement with, or integrally formed with, the undercap within the housing, so that the stem projects from the housing, and a second free end for applying product. The exterior of the undercap body has a series of circumferentially arranged teeth for interengagement with a corresponding series of circumferentially arranged teeth within the housing of the overcap. The two series of teeth being interengageable at a number of relative positions, so that the relative orientation of the overcap to the undercap can be selected.



WO 01/56894 A3



patent (AM, AZ, BY, KG, KZ, MD, RU, TJ, TM), European patent (AT, BE, CH, CY, DE, DK, ES, FI, FR, GB, GR, IE, IT, LU, MC, NL, PT, SE, TR), OAPI patent (BF, BJ, CF, CG, CI, CM, GA, GN, GW, ML, MR, NE, SN, TD, TG).

(88) Date of publication of the international search report:
7 February 2002

Published:

— with international search report

For two-letter codes and other abbreviations, refer to the "Guidance Notes on Codes and Abbreviations" appearing at the beginning of each regular issue of the PCT Gazette.

INTERNATIONAL SEARCH REPORT

International Application No

PCT/IE 01/00018

A. CLASSIFICATION OF SUBJECT MATTER
 IPC 7 B65D41/04 B65D50/04

According to International Patent Classification (IPC) or to both national classification and IPC

B. FIELDS SEARCHED

Minimum documentation searched (classification system followed by classification symbols)

IPC 7 B65D A45D

Documentation searched other than minimum documentation to the extent that such documents are included in the fields searched

Electronic data base consulted during the international search (name of data base and, where practical, search terms used)

EPO-Internal

C. DOCUMENTS CONSIDERED TO BE RELEVANT

Category	Citation of document, with indication, where appropriate, of the relevant passages	Relevant to claim No.
X	EP 0 439 773 A (GEKA BRUSH GEORG KARL GMBH) 7 August 1991 (1991-08-07) column 3, line 33 -column 4, line 23; figures 1-4	1-5, 7, 8
X	US 4 286 633 A (HERR JAMES E) 1 September 1981 (1981-09-01)	17
Y	column 2, line 51 -column 5, line 37; figures 1-5	9-12, 14
Y	US 4 609 114 A (ROY GERALD L) 2 September 1986 (1986-09-02) column 4, line 32 - line 42; figures 1-8	9-12, 14
A	GB 2 148 859 A (OREAL) 5 June 1985 (1985-06-05) page 5, line 130 -page 6, line 10; figures 1-17	1

Further documents are listed in the continuation of box C.

Patent family members are listed in annex.

Special categories of cited documents :

- *A* document defining the general state of the art which is not considered to be of particular relevance
- *E* earlier document but published on or after the international filing date
- *L* document which may throw doubts on priority claim(s) or which is cited to establish the publication date of another citation or other special reason (as specified)
- *O* document referring to an oral disclosure, use, exhibition or other means
- *P* document published prior to the international filing date but later than the priority date claimed

- *T* later document published after the international filing date or priority date and not in conflict with the application but cited to understand the principle or theory underlying the invention
- *X* document of particular relevance; the claimed invention cannot be considered novel or cannot be considered to involve an inventive step when the document is taken alone
- *Y* document of particular relevance; the claimed invention cannot be considered to involve an inventive step when the document is combined with one or more other such documents, such combination being obvious to a person skilled in the art.
- *&* document member of the same patent family

Date of the actual completion of the international search

6 July 2001

Date of mailing of the international search report

29/08/2001

Name and mailing address of the ISA
 European Patent Office, P.B. 5818 Patentlaan 2
 NL - 2280 HV Rijswijk
 Tel. (+31-70) 340-2040, Tx. 31 651 epo nl,
 Fax: (+31-70) 340-3016

Authorized officer

Fournier, J

INTERNATIONAL SEARCH REPORT

Information on patent family members

International Application No

PCT/IE 01/00018

Patent document cited in search report	Publication date	Patent family member(s)	Publication date
EP 0439773 A	07-08-1991	FR 2657509 A DE 59006148 D US 5141347 A	02-08-1991 21-07-1994 25-08-1992

US 4286633 A	01-09-1981	NONE	

US 4609114 A	02-09-1986	CA 1287324 A	06-08-1991

GB 2148859 A	05-06-1985	FR 2553383 A FR 2564070 A BE 900803 A DE 3437530 A ES 281948 U IT 1180092 B JP 60148461 A US 4597501 A	19-04-1985 15-11-1985 11-04-1985 02-05-1985 01-02-1986 23-09-1987 05-08-1985 01-07-1986
