



US00D818528S

(12) **United States Design Patent**
Tashima et al.

(10) **Patent No.:** **US D818,528 S**

(45) **Date of Patent:** **** May 22, 2018**

(54) **PRINTER**

(71) Applicant: **BROTHER INDUSTRIES, LTD.**,
Nagoya-shi, Aichi-ken (JP)

(72) Inventors: **Kazuhiisa Tashima**, Nagoya (JP);
Keiichiro Egami, Kuwana (JP)

(73) Assignee: **BROTHER INDUSTRIES, LTD.**,
Nagoya (JP)

(**) Term: **15 Years**

(21) Appl. No.: **29/580,931**

(22) Filed: **Oct. 14, 2016**

(30) **Foreign Application Priority Data**

Apr. 14, 2016 (JP) 2016-8260

(51) **LOC (11) Cl.** **18-02**

(52) **U.S. Cl.**
USPC **D18/50**

(58) **Field of Classification Search**
USPC D18/50, 55, 36-37, 39; 347/3
CPC B41J 11/58; B41J 15/12; B41J 15/042;
G06K 15/12; G06K 15/14
See application file for complete search history.

(56) **References Cited**

U.S. PATENT DOCUMENTS

D565,650 S *	4/2008	Tani	D18/50
D624,956 S *	10/2010	Park	D18/39
D645,078 S *	9/2011	Kim	D18/50
D647,130 S *	10/2011	Kim	D18/50
D661,346 S	6/2012	Suzuki et al.	
D678,402 S *	3/2013	Sato	D18/50
D678,403 S	3/2013	Seki et al.	
D682,349 S *	5/2013	Iwai	D18/50

D694,318 S	11/2013	Jihoon et al.	H04N 1/0313
8,727,464 B2 *	5/2014	Hara	347/3
D720,803 S *	1/2015	Inada	D18/50
D729,310 S	5/2015	Nakagawa et al.	
D761,903 S *	7/2016	Matsumoto	D18/50
D792,508 S *	7/2017	Nakagawa	D18/50
D794,707 S *	8/2017	Nanno	D18/50
D800,215 S *	10/2017	Sato	D18/50
D807,427 S *	1/2018	Tashima	D18/50
2014/0265103 A1 *	9/2014	Sone	B41J 11/70
				270/5.02

OTHER PUBLICATIONS

Design U.S. Appl. No. 29/464,337, filed Aug. 15, 2013.
Design U.S. Appl. No. 29/577,312, filed Sep. 12, 2016.
Design U.S. Appl. No. 29/464,324, filed Aug. 13, 2015.

* cited by examiner

Primary Examiner — Robin V Webster
Assistant Examiner — James C Thorn, Sr.
(74) *Attorney, Agent, or Firm* — Oliff PLC

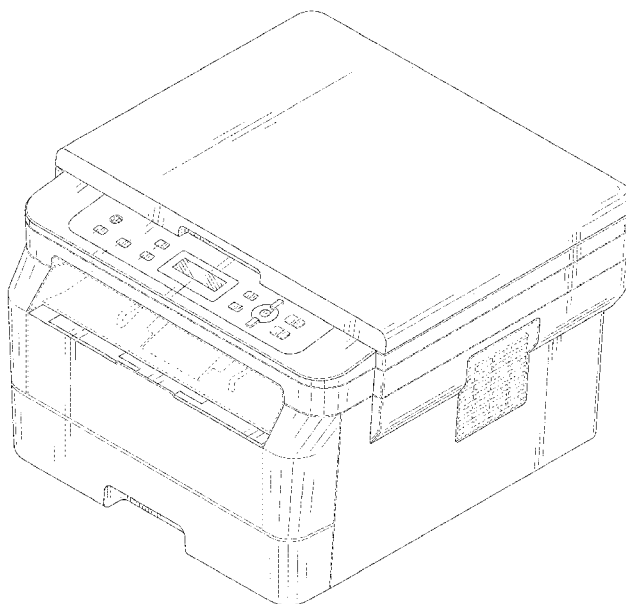
(57) **CLAIM**

The ornamental design for a printer, as shown and described.

DESCRIPTION

FIG. 1 is a perspective view of a printer;
FIG. 2 is a front view thereof;
FIG. 3 is a top view thereof;
FIG. 4 is a right-side view thereof;
FIG. 5 is a left-side view thereof;
FIG. 6 is a rear view thereof; and,
FIG. 7 is a bottom view thereof.
The broken lines depict environmental subject matter only
and form no part of the claimed design.

1 Claim, 7 Drawing Sheets



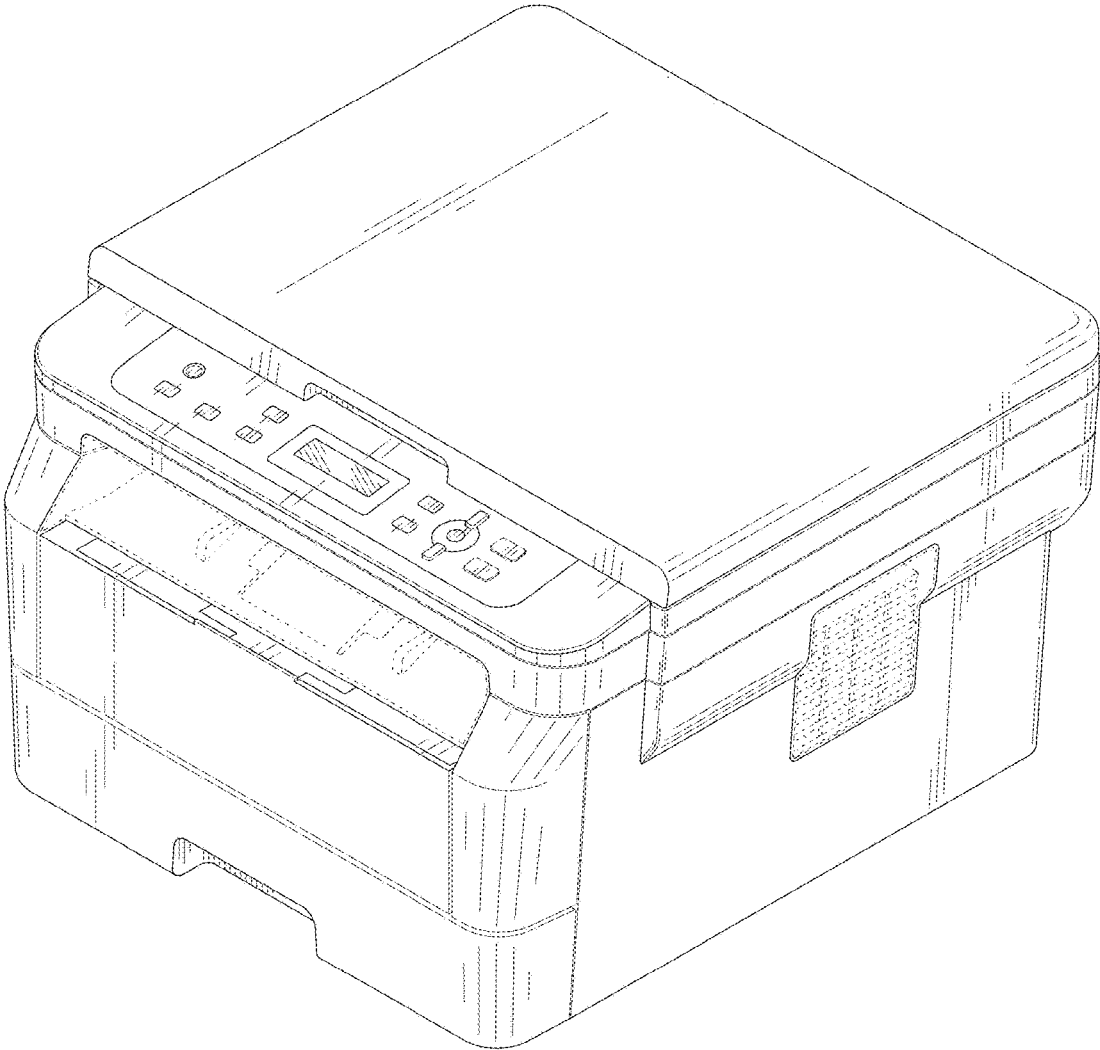


FIG. 1

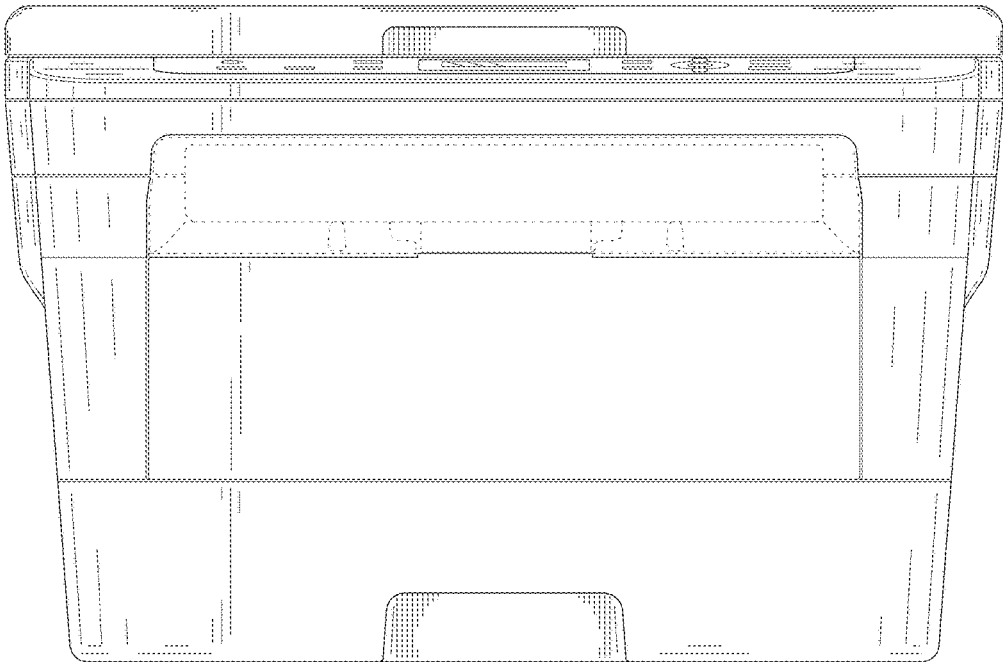


FIG. 2

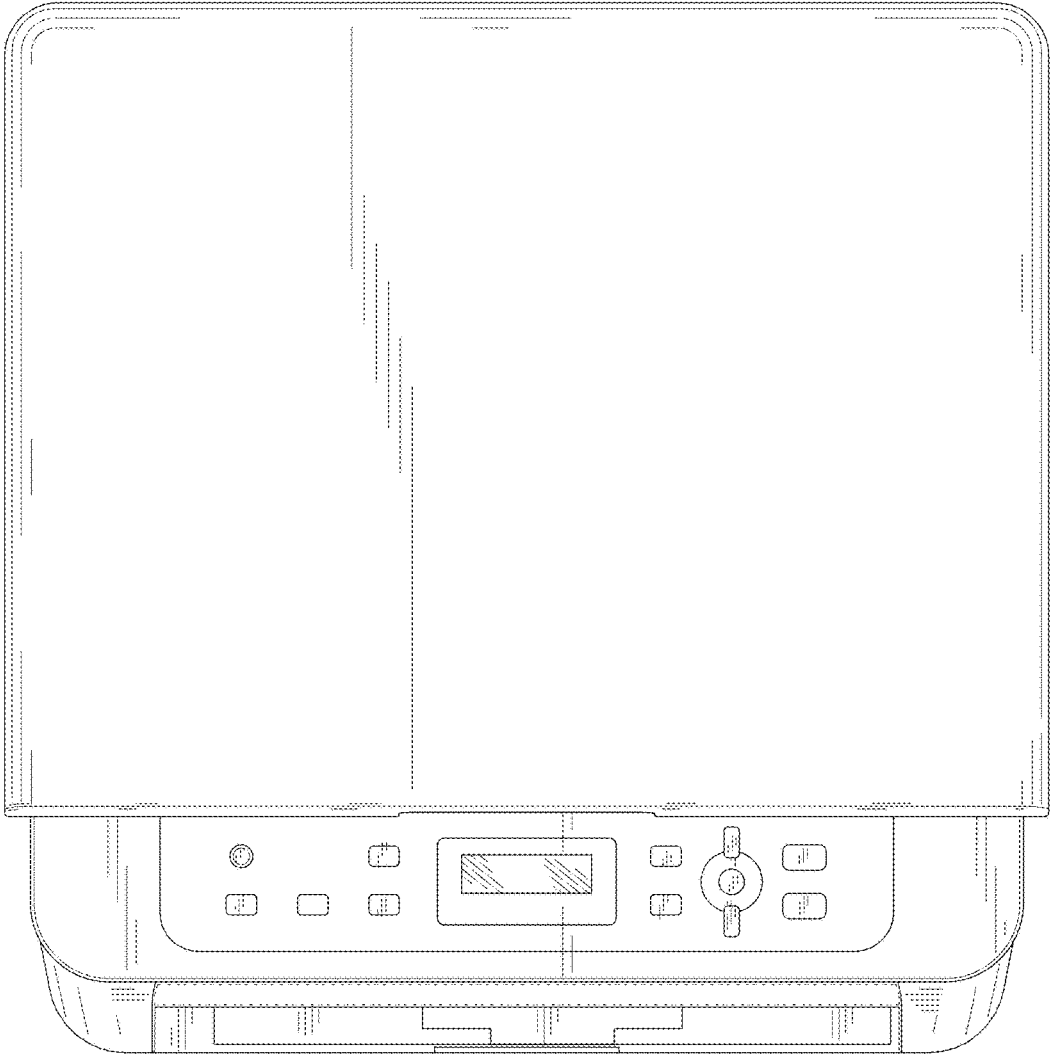


FIG. 3

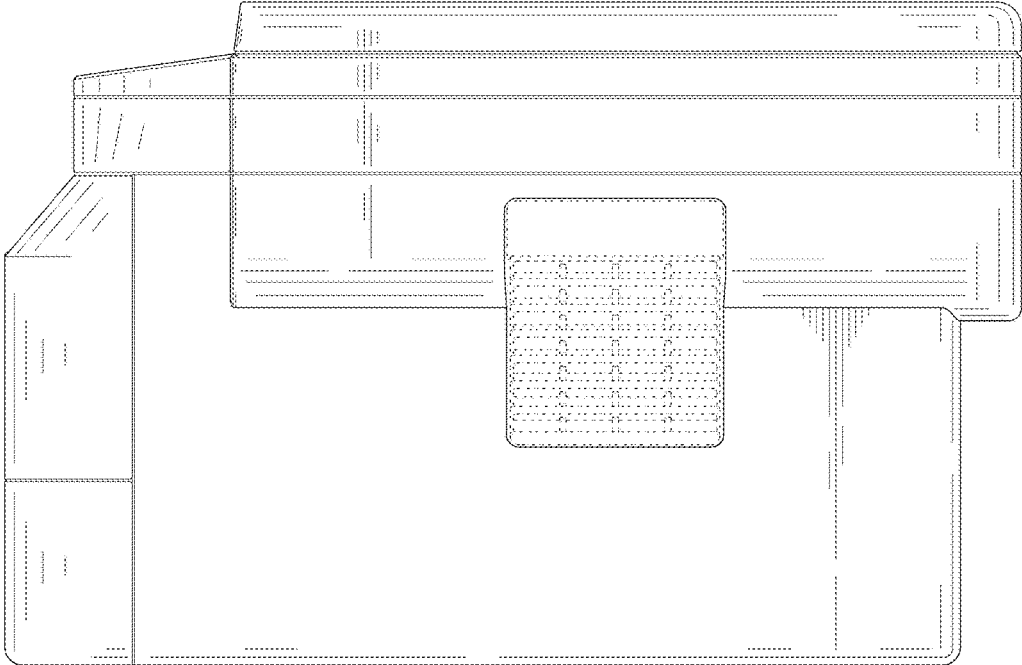


FIG. 4

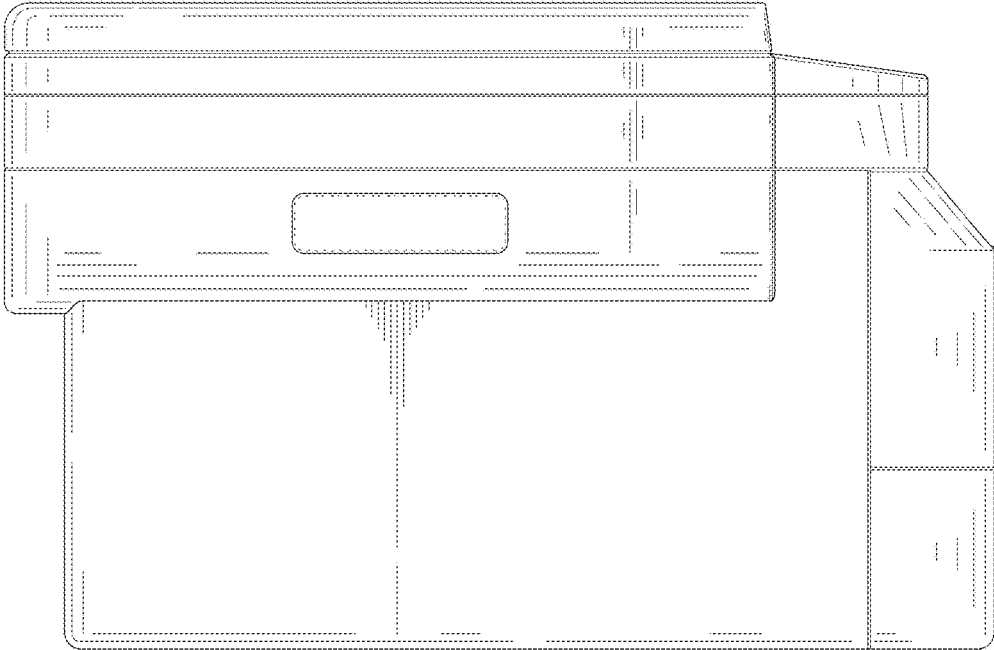


FIG. 5

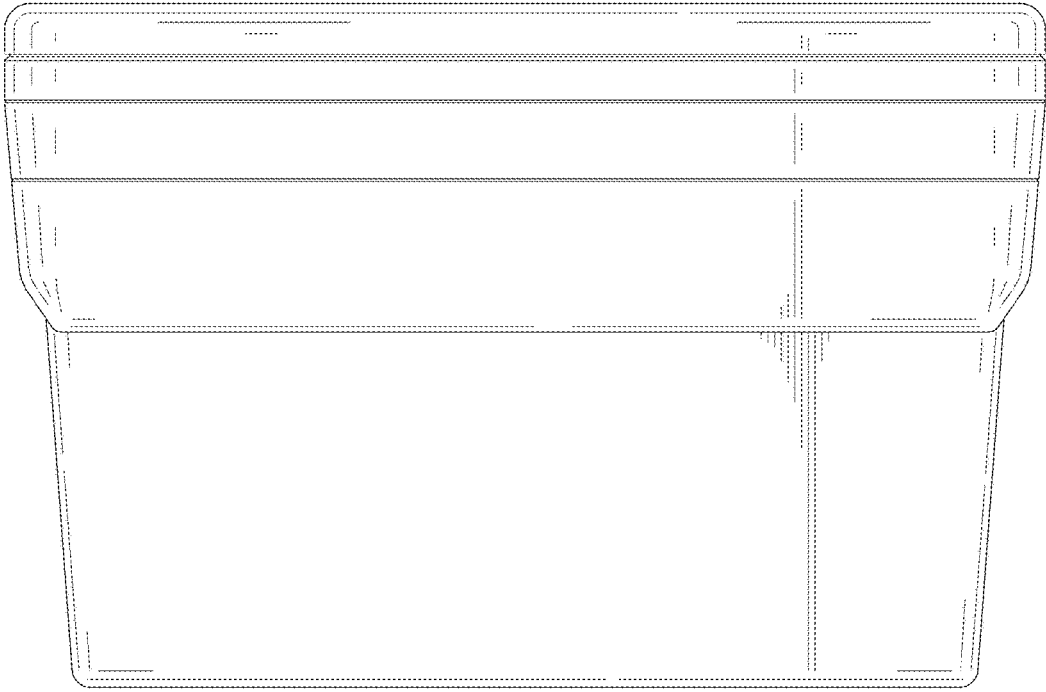


FIG. 6

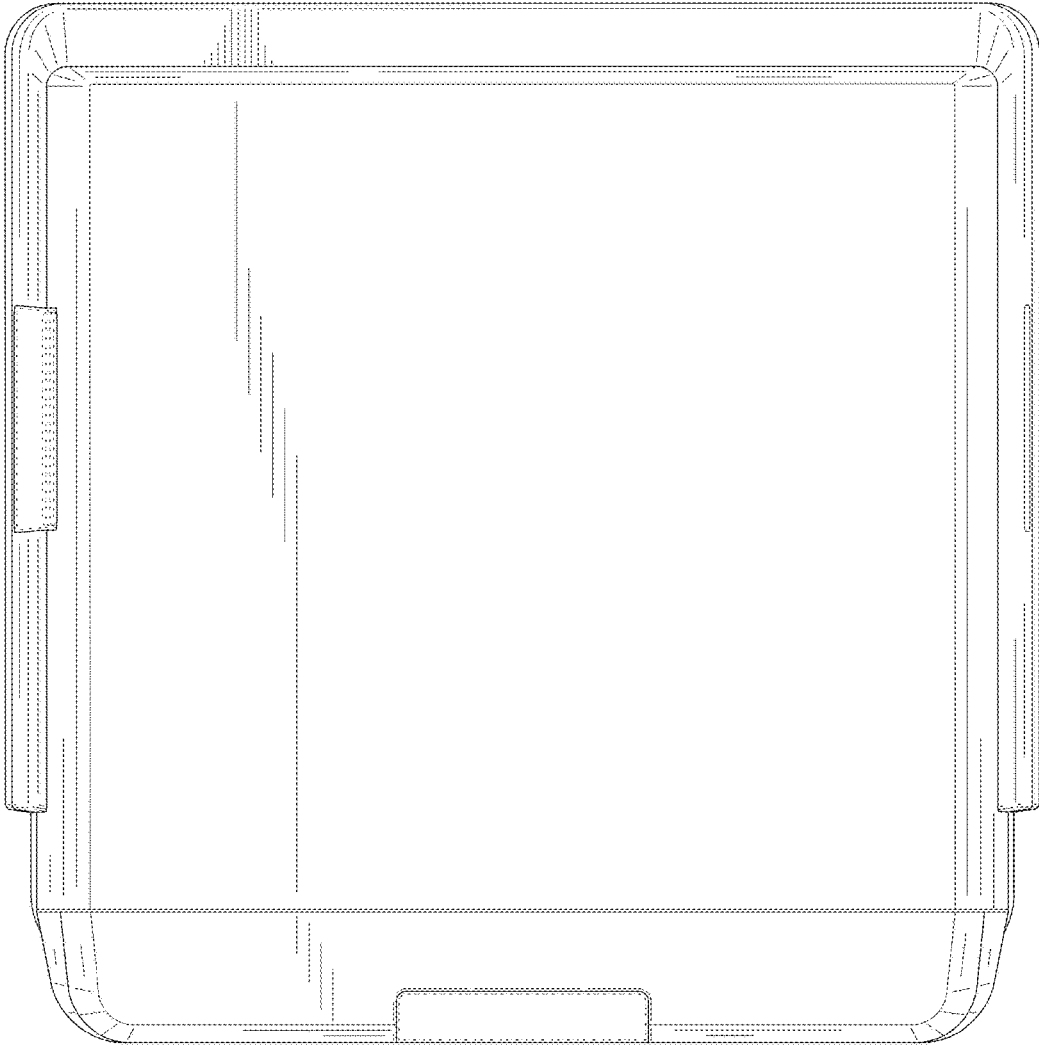


FIG. 7