

(19) World Intellectual Property Organization
International Bureau



(43) International Publication Date
22 September 2011 (22.09.2011)

(10) International Publication Number
WO 2011/115865 A3

(51) International Patent Classification:
B65D 88/66 (2006.01) **B65D 88/54** (2006.01)

WEISSER, Erik [US/US]; 1663 Lakeland Circle, Centerville, Minnesota 55038 (US).

(21) International Application Number:
PCT/US2011/028272

(74) Agents: **ECKART, Carolyn H. B.** et al.; Kinney & Lange, P.A., 312 South Third Street, Minneapolis, Minnesota 55415 (US).

(22) International Filing Date:
14 March 2011 (14.03.2011)

(81) Designated States (unless otherwise indicated, for every kind of national protection available): AE, AG, AL, AM, AO, AT, AU, AZ, BA, BB, BG, BH, BR, BW, BY, BZ, CA, CH, CL, CN, CO, CR, CU, CZ, DE, DK, DM, DO, DZ, EC, EE, EG, ES, FI, GB, GD, GE, GH, GM, GT, HN, HR, HU, ID, IL, IN, IS, JP, KE, KG, KM, KN, KP, KR, KZ, LA, LC, LK, LR, LS, LT, LU, LY, MA, MD, ME, MG, MK, MN, MW, MX, MY, MZ, NA, NG, NI, NO, NZ, OM, PE, PG, PH, PL, PT, RO, RS, RU, SC, SD, SE, SG, SK, SL, SM, ST, SV, SY, TH, TJ, TM, TN, TR, TT, TZ, UA, UG, US, UZ, VC, VN, ZA, ZM, ZW.

(25) Filing Language: English

(26) Publication Language: English

(30) Priority Data:
12/661,354 16 March 2010 (16.03.2010) US

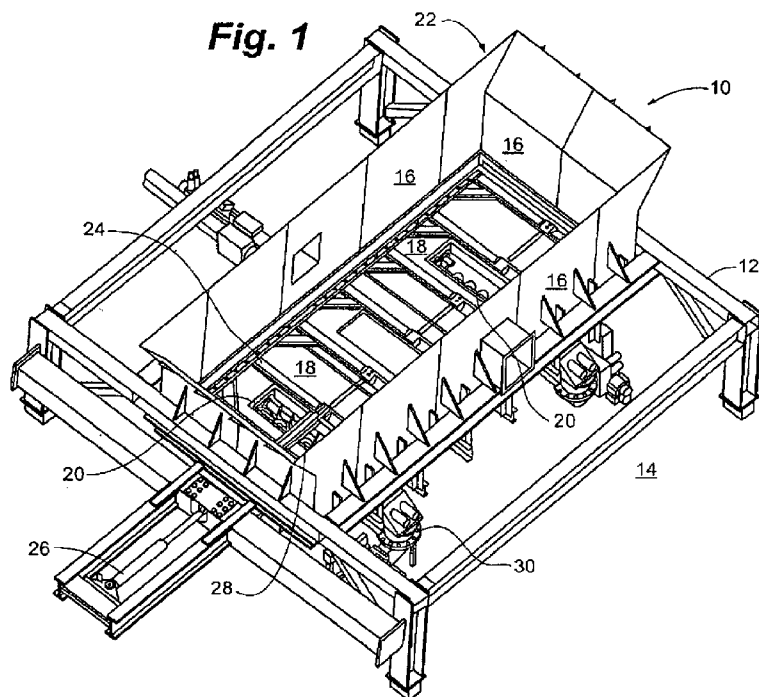
(71) Applicant (for all designated States except US):
SCHWING BIOSET, INC. [US/US]; 350 SMC Drive, Somerset, Wisconsin 54025 (US).

(72) Inventors; and
(75) Inventors/Applicants (for US only): **TILLMAN, Franz** [US/US]; 89 Shaughnessy Road, Lagrangeville, New York 12540 (US). **HORNBERGER, Rance** [US/US]; 10835 Sailor Way, Woodbury, Minnesota 55129 (US).

(84) Designated States (unless otherwise indicated, for every kind of regional protection available): ARIPO (BW, GH, GM, KE, LR, LS, MW, MZ, NA, SD, SL, SZ, TZ, UG, ZM, ZW), Eurasian (AM, AZ, BY, KG, KZ, MD, RU, TJ, TM), European (AL, AT, BE, BG, CH, CY, CZ, DE, DK,

[Continued on next page]

(54) Title: WEAR SYSTEM FOR RECEPTACLE WITH SLIDING FRAME



(57) Abstract: A system for reducing wear includes a receptacle having at least one wall and a floor for holding material within the receptacle. An opening is located in the floor for accessing material held in the receptacle. A sliding frame is located above and parallel to the floor for agitating material held in the receptacle. At least one component is included inside the receptacle to reduce wear on the floor and/or sliding frame, and/or a wear indicator is located outside of the receptacle to monitor wear on the floor and/or the sliding frame.

WO 2011/115865 A3



EE, ES, FI, FR, GB, GR, HR, HU, IE, IS, IT, LT, LU,
LV, MC, MK, MT, NL, NO, PL, PT, RO, RS, SE, SI, SK,
SM, TR), OAPI (BF, BJ, CF, CG, CI, CM, GA, GN, GQ,
GW, ML, MR, NE, SN, TD, TG).

— *before the expiration of the time limit for amending the
claims and to be republished in the event of receipt of
amendments (Rule 48.2(h))*

Published:

— *with international search report (Art. 21(3))*

(88) Date of publication of the international search report:

8 December 2011

INTERNATIONAL SEARCH REPORT

International application No
PCT/US2011/028272

A. CLASSIFICATION OF SUBJECT MATTER
 INV. B65D88/66 B65D88/54
 ADD.
 According to International Patent Classification (IPC) or to both national classification and IPC

B. FIELDS SEARCHED
 Minimum documentation searched (classification system followed by classification symbols)
 B65D

Documentation searched other than minimum documentation to the extent that such documents are included in the fields searched

Electronic data base consulted during the international search (name of data base and, where practical, search terms used)
 EPO-Internal

C. DOCUMENTS CONSIDERED TO BE RELEVANT

Category*	Citation of document, with indication, where appropriate, of the relevant passages	Relevant to claim No.
X	DE 21 04 798 A1 (BUEHLER AG GEB) 19 August 1971 (1971-08-19) page 4, paragraph 5 - page 9, paragraph 1; figures 1,2 -----	1-9
X	EP 0 112 937 A1 (MOELLER JOHANNES FA [DE]) 11 July 1984 (1984-07-11) page 9, line 19 - page 13, line 22; figures 1,2 -----	1-7
X	EP 0 036 695 A1 (ALFRA WEEGWERTUIGEN [NL]) 30 September 1981 (1981-09-30) page 2, line 25 - page 4, line 21; figures 1-4 -----	1-5
A	US 5 833 092 A (GODFREY SCOTT E [US] ET AL) 10 November 1998 (1998-11-10) column 3, line 32 - column 6, line 53; figures 1-3 -----	1

Further documents are listed in the continuation of Box C.

See patent family annex.

* Special categories of cited documents :

- "A" document defining the general state of the art which is not considered to be of particular relevance
- "E" earlier document but published on or after the international filing date
- "L" document which may throw doubts on priority claim(s) or which is cited to establish the publication date of another citation or other special reason (as specified)
- "O" document referring to an oral disclosure, use, exhibition or other means
- "P" document published prior to the international filing date but later than the priority date claimed

- "T" later document published after the international filing date or priority date and not in conflict with the application but cited to understand the principle or theory underlying the invention
- "X" document of particular relevance; the claimed invention cannot be considered novel or cannot be considered to involve an inventive step when the document is taken alone
- "Y" document of particular relevance; the claimed invention cannot be considered to involve an inventive step when the document is combined with one or more other such documents, such combination being obvious to a person skilled in the art.
- "&" document member of the same patent family

Date of the actual completion of the international search
 11 October 2011

Date of mailing of the international search report
 17/10/2011

Name and mailing address of the ISA/
 European Patent Office, P.B. 5818 Patentlaan 2
 NL - 2280 HV Rijswijk
 Tel. (+31-70) 340-2040,
 Fax: (+31-70) 340-3016

Authorized officer
 LämmeL, Gunnar

INTERNATIONAL SEARCH REPORT

International application No.
PCT/US2011/028272

Box No. II Observations where certain claims were found unsearchable (Continuation of item 2 of first sheet)

This international search report has not been established in respect of certain claims under Article 17(2)(a) for the following reasons:

1. Claims Nos.:
because they relate to subject matter not required to be searched by this Authority, namely:

2. Claims Nos.:
because they relate to parts of the international application that do not comply with the prescribed requirements to such an extent that no meaningful international search can be carried out, specifically:

3. Claims Nos.:
because they are dependent claims and are not drafted in accordance with the second and third sentences of Rule 6.4(a).

Box No. III Observations where unity of invention is lacking (Continuation of item 3 of first sheet)

This International Searching Authority found multiple inventions in this international application, as follows:

see additional sheet

1. As all required additional search fees were timely paid by the applicant, this international search report covers all searchable claims.

2. As all searchable claims could be searched without effort justifying an additional fees, this Authority did not invite payment of additional fees.

3. As only some of the required additional search fees were timely paid by the applicant, this international search report covers only those claims for which fees were paid, specifically claims Nos.:

4. No required additional search fees were timely paid by the applicant. Consequently, this international search report is restricted to the invention first mentioned in the claims; it is covered by claims Nos.:

1-9

Remark on Protest

- The additional search fees were accompanied by the applicant's protest and, where applicable, the payment of a protest fee.
- The additional search fees were accompanied by the applicant's protest but the applicable protest fee was not paid within the time limit specified in the invitation.
- No protest accompanied the payment of additional search fees.

FURTHER INFORMATION CONTINUED FROM PCT/ISA/ 210

This International Searching Authority found multiple (groups of) inventions in this international application, as follows:

1. claims: 1-9

System comprising a receptacle with one wall and a floor, an opening in the floor and a sliding frame with at least one wear bar.

2. claims: 10-14

System with a plurality of hard plate inserts

3. claims: 15-20

System comprising an extension shaft and a hydraulic cylinder

INTERNATIONAL SEARCH REPORT

Information on patent family members

International application No

PCT/US2011/028272

Patent document cited in search report	Publication date	Patent family member(s)	Publication date
DE 2104798	A1	19-08-1971	CH 510577 A
			FR 2079297 A1
			GB 1333976 A
			IL 36128 A
			JP 51006889 B
			NL 7101064 A
			SE 372233 B
			ZA 7100714 A

EP 0112937	A1	11-07-1984	AT 19616 T
			DE 3271079 D1

EP 0036695	A1	30-09-1981	DE 3162465 D1
			NL 8001647 A

US 5833092	A	10-11-1998	NONE
