



US00D881160S

(12) **United States Design Patent**
Huang

(10) **Patent No.:** **US D881,160 S**
(45) **Date of Patent:** **** Apr. 14, 2020**

- (54) **BLUETOOTH SPEAKER**
- (71) Applicant: **China Etech Groups Ltd**, Shenzhen, Guangdong (CN)
- (72) Inventor: **Hongping Huang**, Guangdong (CN)
- (**) Term: **15 Years**
- (21) Appl. No.: **29/645,743**

D543,553 S *	5/2007	Langberg	D14/496
D577,715 S *	9/2008	Lim	D14/240
D578,105 S *	10/2008	Komiyama	D14/214
D642,159 S *	7/2011	Joseph	D14/215
D651,589 S *	1/2012	Fischer	D14/218
D689,845 S *	9/2013	Nylen	D14/215
D690,287 S *	9/2013	Belfanti	D14/214
D693,329 S *	11/2013	Lee	D14/210

(Continued)

FOREIGN PATENT DOCUMENTS

JP	2004313930	*	11/2004	B60B 1/02
KR	20180042757	*	4/2018	H04R 9/02

OTHER PUBLICATIONS

Bluetooth Speaker E-BS-17257-A, EtechGroups.com, [online], [site visited Jun. 17, 2019]. URL: <http://www.etchgroups.com/showproducts43.html> (Year: 2019).*

(Continued)

Primary Examiner — T Chase Nelson
Assistant Examiner — Jonathan J. Han
(74) *Attorney, Agent, or Firm* — Jie Yang; ZanIP

(57) **CLAIM**

The ornamental design for a bluetooth speaker, as shown and described.

DESCRIPTION

FIG. 1 is a front view of a bluetooth speaker showing my new design;
FIG. 2 is a back view thereof;
FIG. 3 is a left view thereof;
FIG. 4 is a right view thereof;
FIG. 5 is a top view thereof;
FIG. 6 is a bottom view thereof; and,
FIG. 7 is a perspective view thereof.
The broken lines in the drawings are used to illustrate parts of the bluetooth speaker that form no part of the claimed design.

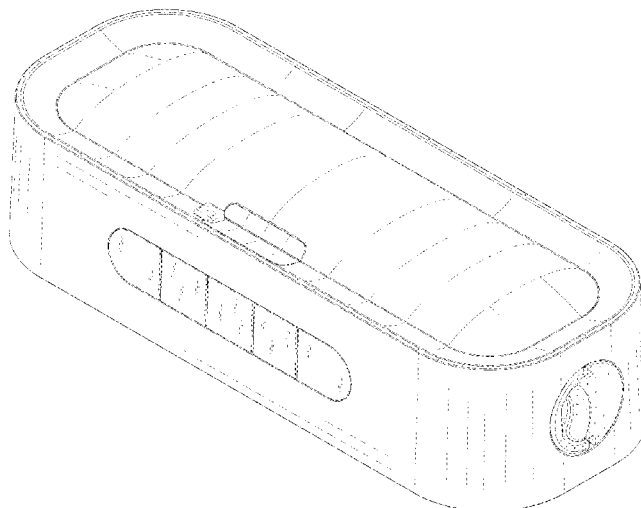
1 Claim, 7 Drawing Sheets

- (22) Filed: **Apr. 28, 2018**
- (51) **LOC (12) Cl.** **14-01**
- (52) **U.S. Cl.**
USPC **D14/215**
- (58) **Field of Classification Search**
USPC D14/167, 168, 170–172, 188, 194–196, D14/204, 207, 209.1, 210–216, 219, 221, D14/222, 224, 239, 496; 181/143, 144, 181/147, 148, 150, 153, 157, 198, 199; 381/300–303, 306, 332, 333, 336, 345, 381/361–364, 386–388; 369/6–12
CPC B60R 11/0217; G06F 1/1688; G10K 9/22; G10K 11/004; H03F 1/327; H04M 1/03; H04M 1/035; H04N 5/642; H04N 21/4852; H04R 1/02; H04R 1/06; H04R 1/021; H04R 1/025; H04R 1/026; H04R 1/028; H04R 1/105; H04R 1/323; H04R 1/403; H04R 1/2803; H04R 1/2834; H04R 5/02; H04R 7/20; H04R 9/06; H04R 9/025; H04R 2201/021; H04R 2400/00; H04R 2201/07; H04R 2499/11; H04R 2499/13; H04R 2499/15; H04S 3/00; H04S 7/30
See application file for complete search history.

(56) **References Cited**

U.S. PATENT DOCUMENTS

D397,115 S *	8/1998	Gremchuck	D14/214
D480,383 S *	10/2003	Bolton	D14/214
D511,770 S *	11/2005	Chung	D14/480.5
D537,071 S *	2/2007	Chen	D14/215



(56)

References Cited

U.S. PATENT DOCUMENTS

D702,185 S * 4/2014 Yata D13/110
 D707,203 S * 6/2014 Xie D14/204
 D708,228 S * 7/2014 Fustino D14/203.1
 D713,381 S * 9/2014 Riggs D14/214
 D726,143 S * 4/2015 Cheng D14/197
 D739,845 S * 9/2015 Hwang D14/214
 D751,527 S * 3/2016 Hinokio D14/204
 D760,683 S * 7/2016 Larsen D14/204
 D764,440 S * 8/2016 Xin D14/214
 D767,568 S * 9/2016 McWilliam D14/358
 D773,941 S * 12/2016 Holzer D10/22
 D774,492 S * 12/2016 Jinjin D14/216
 D781,263 S * 3/2017 Tong D14/204
 D797,703 S * 9/2017 Boyd D14/216
 D800,720 S * 10/2017 Kim D14/344
 D809,481 S * 2/2018 McManigal D14/216
 D819,597 S * 6/2018 Hu D14/214

D828,821 S * 9/2018 Farr D14/204
 D832,260 S * 10/2018 Hutton D14/433
 D834,559 S * 11/2018 Zhang D14/214
 D848,891 S * 5/2019 Paredes D10/118.2

OTHER PUBLICATIONS

Is This Bluetooth Speaker Any Good?, YouTube.com, Etech, Published on May 8, 2016, [online], [site visited Jun. 17, 2019]. URL: <https://www.youtube.com/watch?v=6tzg2zfOiKk> (Year: 2016).*

New! Red Planet Bluetooth Speakers, EtechParts.com, May 12, 2014, [online], [site visited Jun. 17, 2019]. URL: <https://www.etechparts.com/blog/new-red-planet-bluetooth-speakers/> (Year: 2014).*

Doss Touch Wireless Bluetooth V4.0 Portable Speaker with HD Sound and Bass, Amazon.com, Date first listed on Amazon: Mar. 9, 2016, [online], [site visited Jun. 17, 2019]. URL: https://www.amazon.com/dp/B01CQOV3YO/ref=sspa_dk_detail_2?psc=1 (Year: 2016).*

* cited by examiner

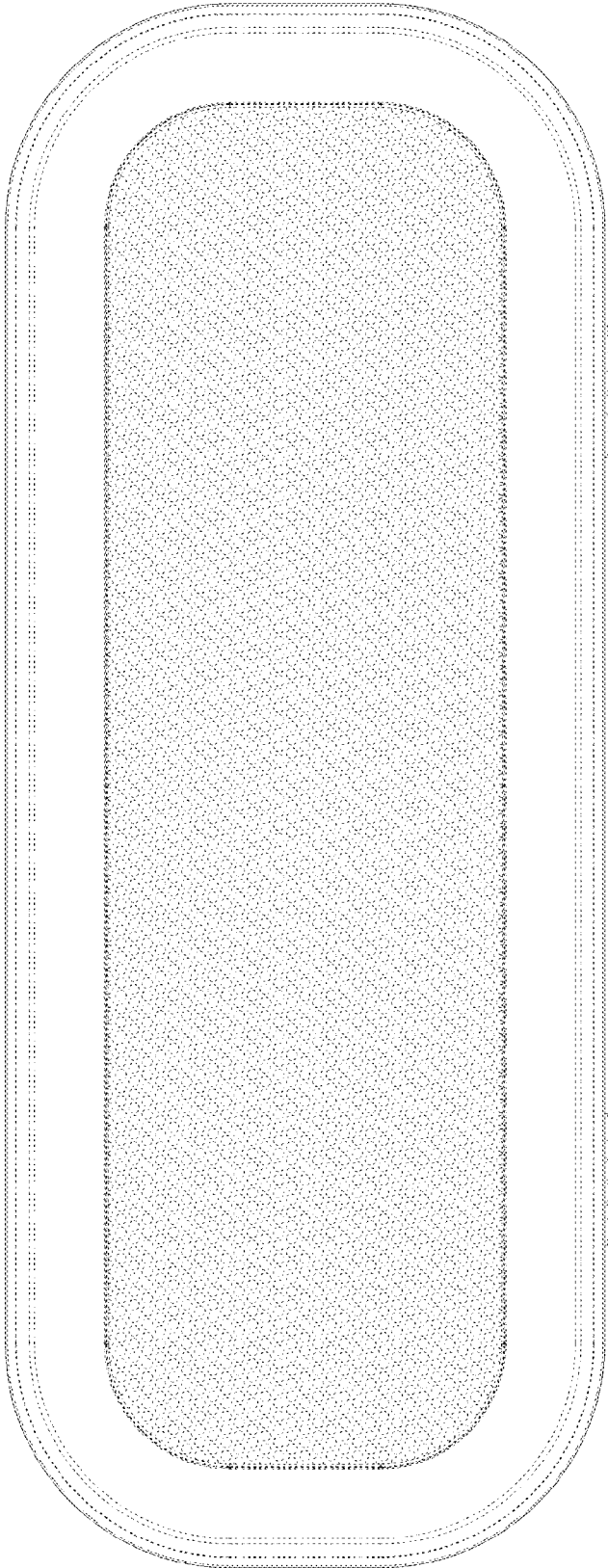


FIG. 1

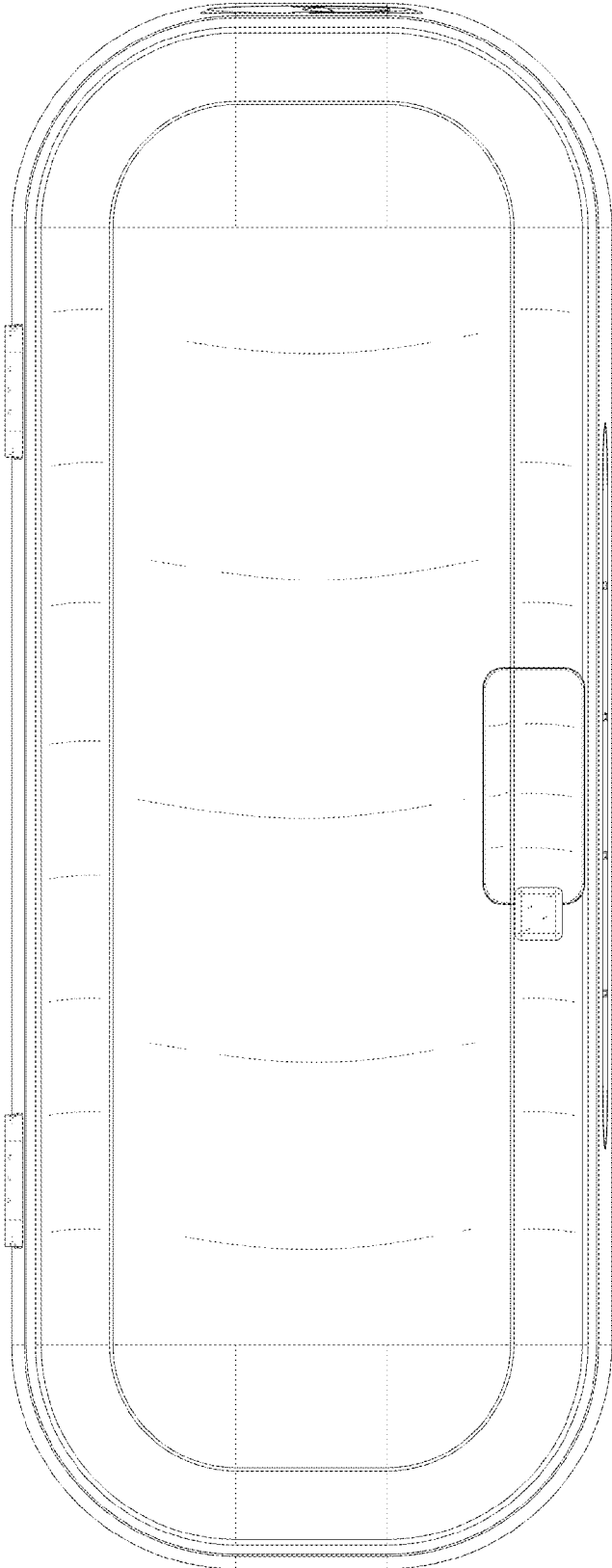


FIG. 2

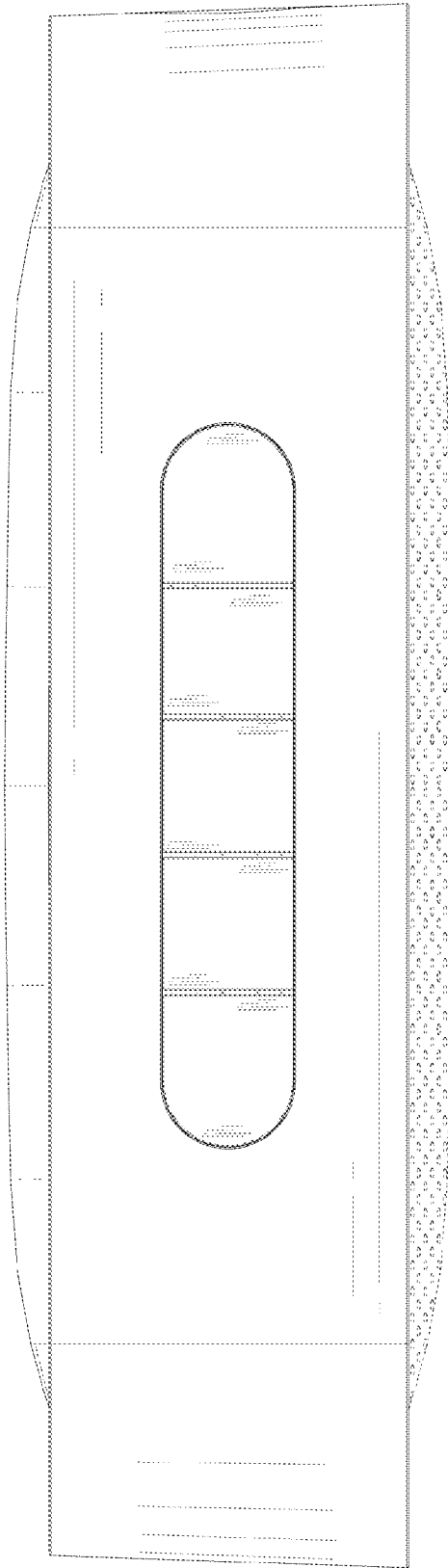


FIG. 3

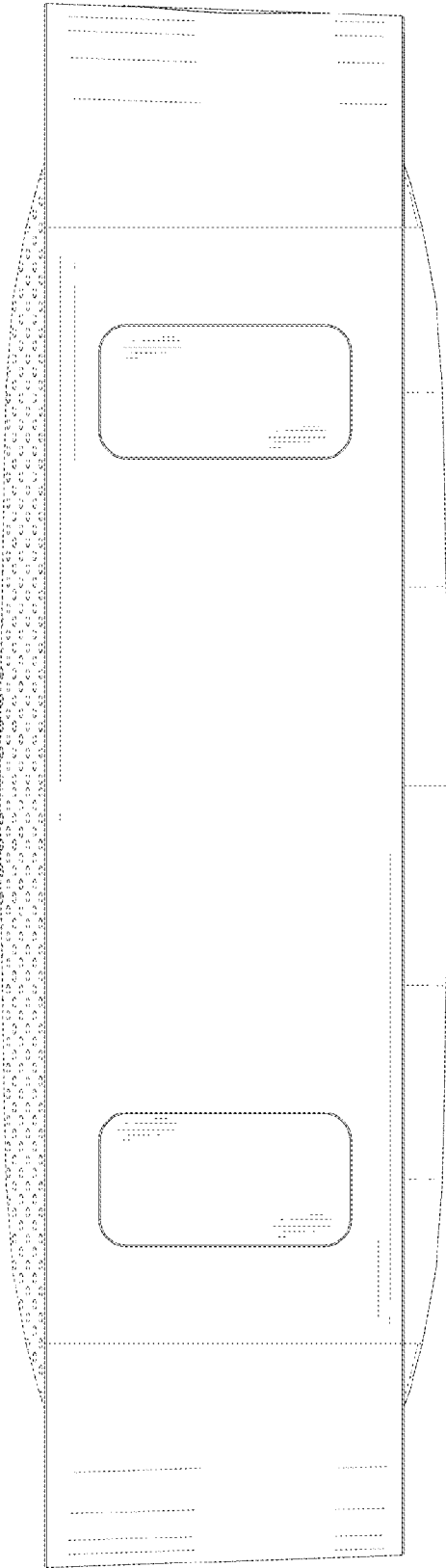


FIG. 4

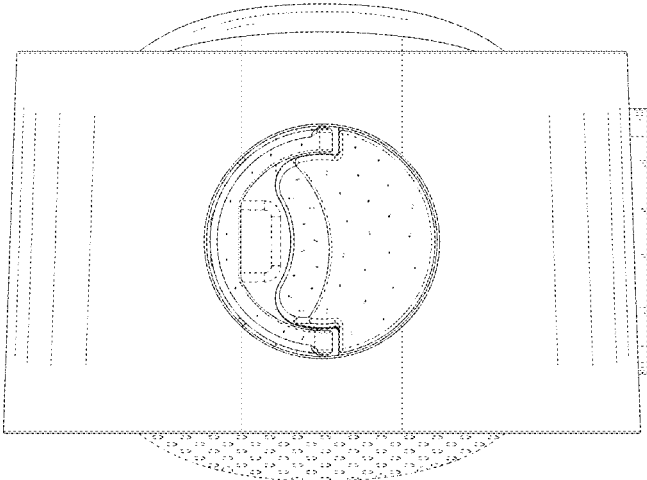


FIG. 5

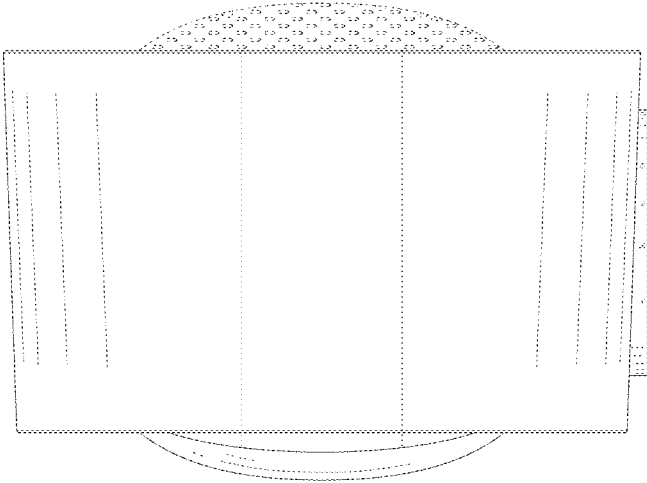


FIG. 6

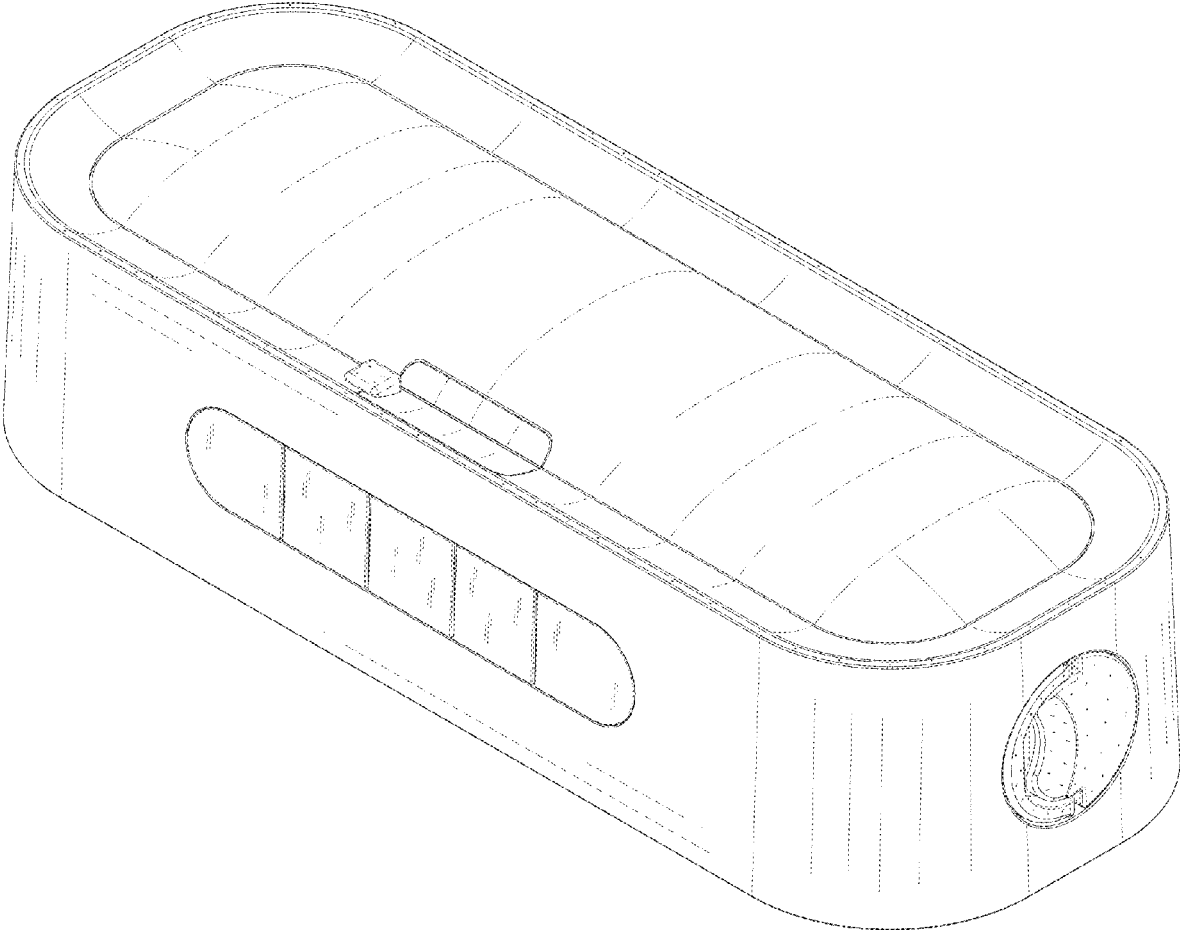


FIG. 7