



US00D744848S

(12) **United States Design Patent**
Gieske et al.

(10) **Patent No.:** **US D744,848 S**

(45) **Date of Patent:** **** Dec. 8, 2015**

(54) **BOTTLE**

(71) Applicant: **MCCORMICK & COMPANY,**
INCORPORATED, Sparks, MD (US)

(72) Inventors: **Thomas Koll Porter Gieske,**
Lutherville, MD (US); **Tracie L. C.**
Wilson, Westminster, MD (US)

(73) Assignee: **McCormick & Company,**
Incorporated, Sparks, MD (US)

(**) Term: **14 Years**

(21) Appl. No.: **29/450,206**

(22) Filed: **Mar. 15, 2013**

(51) **LOC (10) Cl.** **09-01**

(52) **U.S. Cl.**

USPC **D9/574**

(58) **Field of Classification Search**

USPC D9/434-436, 453-454, 516, 530,
D9/541-544, 559-560, 571, 574, 682, 685,
D9/715, 719, 723-724; D7/590-591,
D7/596-597, 683

CPC B65D 1/00; B65D 1/02; B65D 1/0223;
B65D 23/00; B65D 81/00; B65D 2501/00;
B65D 2501/009; B65D 2501/0081

See application file for complete search history.

(56) **References Cited**

U.S. PATENT DOCUMENTS

D100,424 S * 7/1936 Guerlain D9/546
D202,383 S * 9/1965 DuPree D9/544
D301,838 S * 6/1989 Miyakawa D9/560
D387,281 S * 12/1997 Thompson D9/544

D395,605 S * 6/1998 Kokenge D9/571
D531,911 S * 11/2006 Lloyd D9/546
D606,873 S * 12/2009 Fischer D9/573
D674,288 S * 1/2013 Gieske D9/600
D681,474 S * 5/2013 Gieske D9/573
D694,115 S * 11/2013 Gieske D9/600
D696,136 S * 12/2013 Gieske D9/600
D697,419 S * 1/2014 Gieske D9/559
D706,631 S * 6/2014 Wilson et al. D9/436

OTHER PUBLICATIONS

Australian Office Action issued Oct. 8, 2013, in Australian Design Application No. 14285/2013.

U.S. Appl. No. 29/450,094, filed Mar. 15, 2013, Gieske, et al.

U.S. Appl. No. 29/450,182, filed Mar. 15, 2013, Gieske, et al.

Office Action issued Mar. 24, 2014 in Canadian Patent Application No. 152741.

* cited by examiner

Primary Examiner — Dana L Meyrow

(74) *Attorney, Agent, or Firm* — Oblon, McClelland, Maier & Neustadt, L.L.P.

(57) **CLAIM**

The ornamental design for a bottle, as shown and described.

DESCRIPTION

FIG. 1 is a front, top, and right side perspective view of a bottle;

FIG. 2 is a top plan view thereof;

FIG. 3 is a front elevational view thereof;

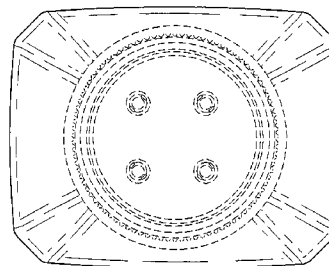
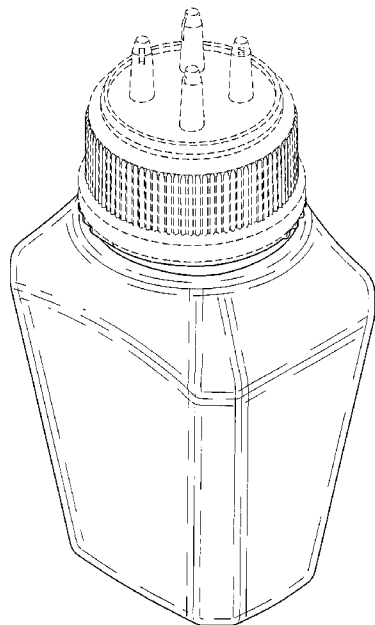
FIG. 4 is a rear elevational view thereof;

FIG. 5 is a right side elevational view thereof; and,

FIG. 6 is a left side elevational view thereof.

The broken lines in the drawings depict environmental subject matter only and form no part of the claimed design.

1 Claim, 6 Drawing Sheets



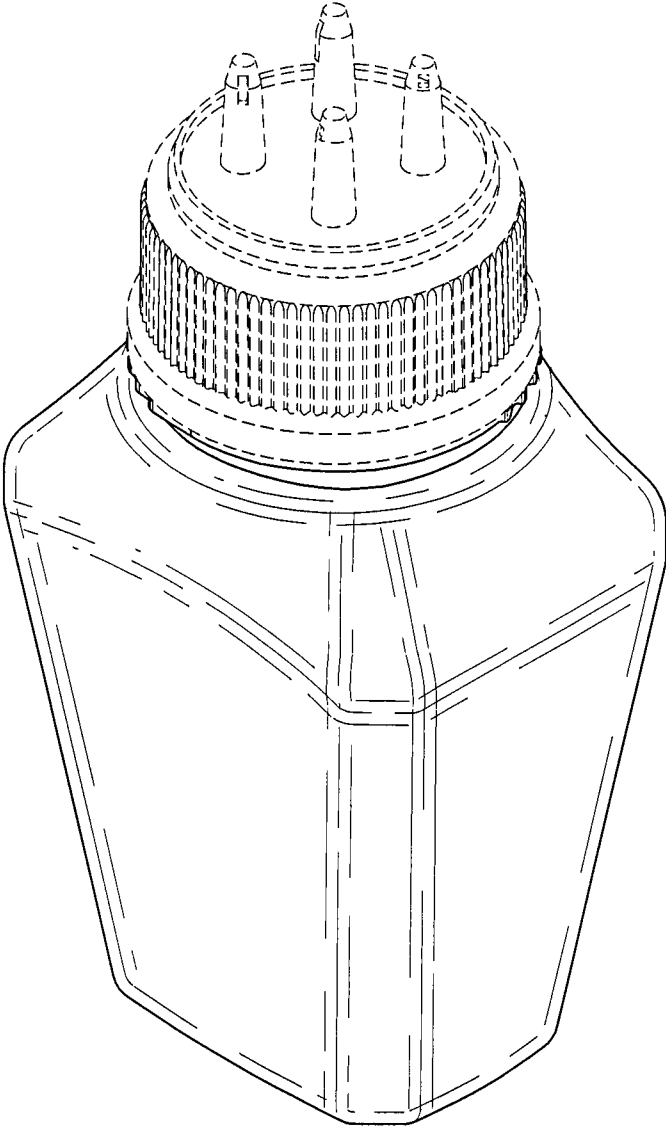


FIG. 1

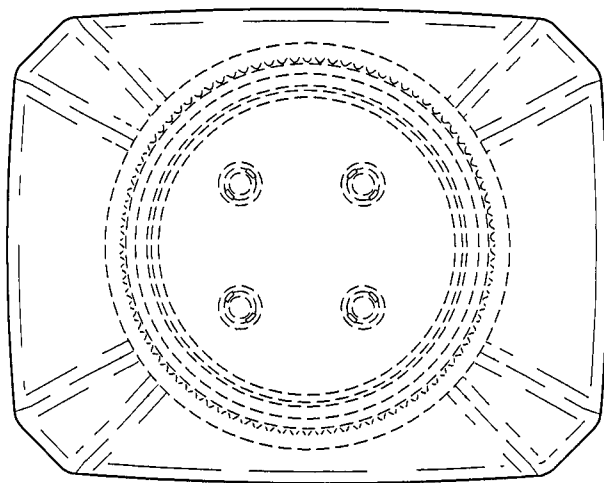


FIG. 2

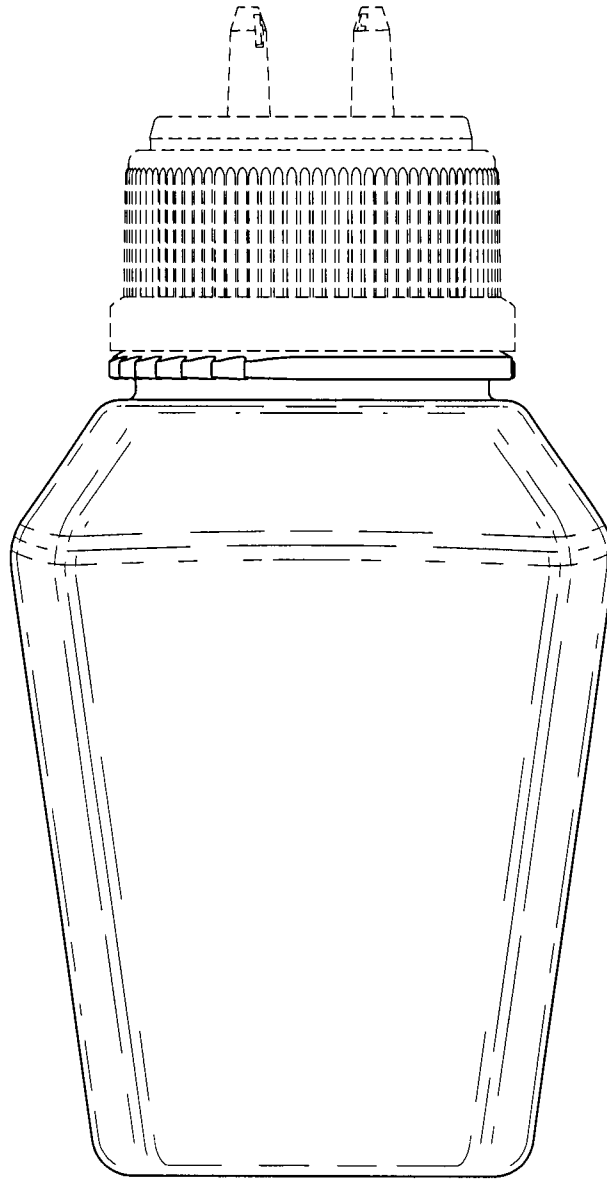


FIG. 3

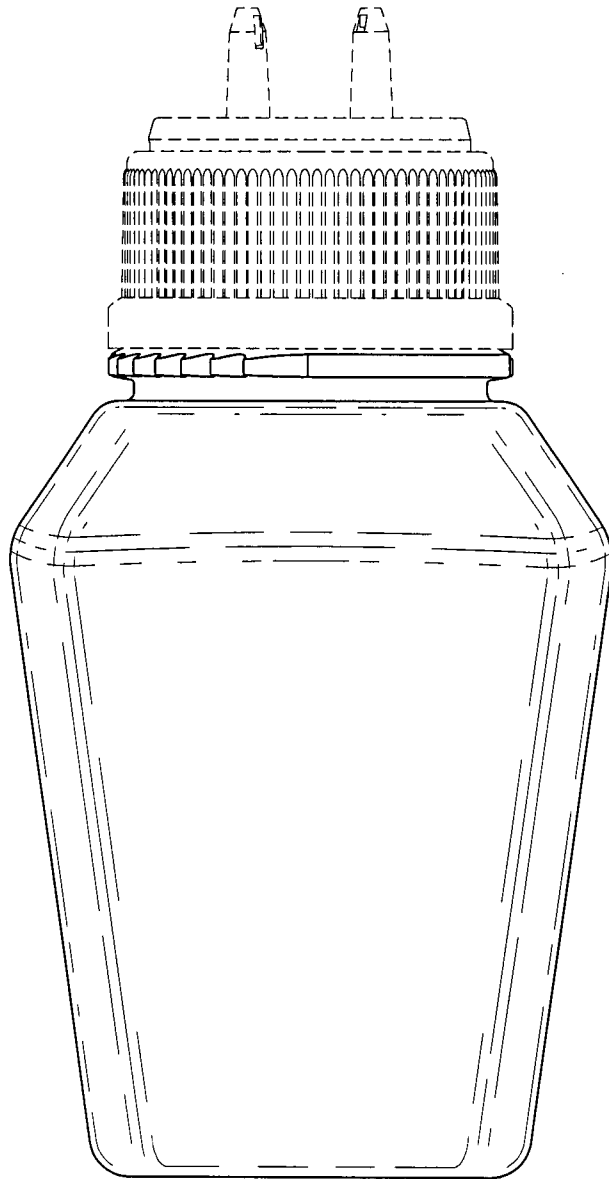


FIG. 4

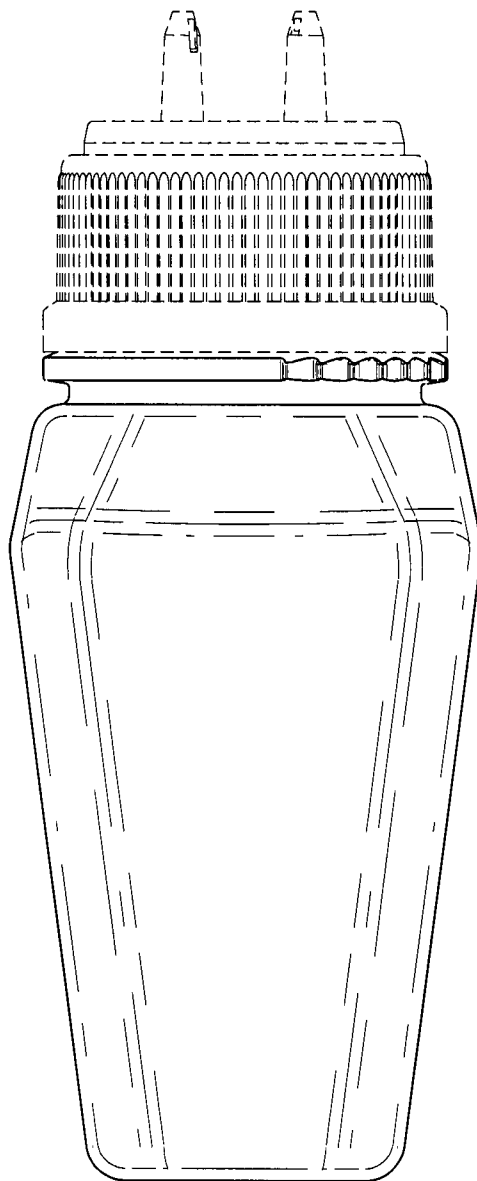


FIG. 5

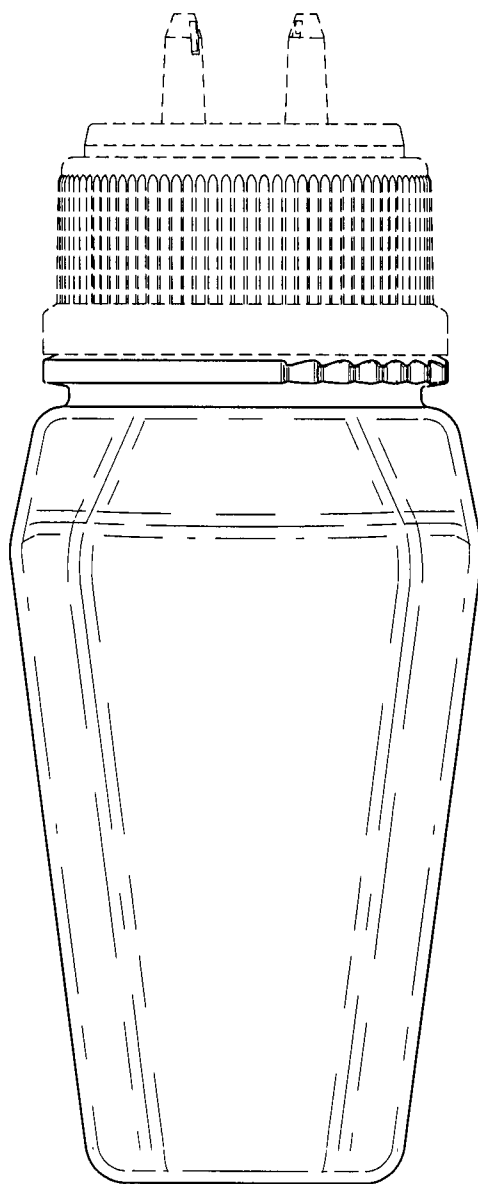


FIG. 6