

(12) PATENT
(19) AUSTRALIAN PATENT OFFICE

(11) Application No. AU 199858570 B2
(10) Patent No. 729182

(54) Title
Supporting frame with assemblage nodes and braces

(51)⁶ International Patent Classification(s)
E04B 001/19

(21) Application No: **199858570** (22) Application Date: **1997 .12 .16**

(87) WIPO No: **WO98/27290**

(30) Priority Data

(31) Number	(32) Date	(33) Country
19652969	1996 .12 .19	DE

(43) Publication Date : **1998 .07 .15**

(43) Publication Journal Date : **1998 .08 .27**

(44) Accepted Journal Date : **2001 .01 .25**

(71) Applicant(s)
Burkhardt Leitner

(72) Inventor(s)
Burkhardt Leitner

(74) Agent/Attorney
SPRUSON and FERGUSON,GPO Box 3898,SYDNEY NSW 2001

(56) Related Art
GB 2131847
DE 3151353
DE 1802638

OPI DATE 15/07/98 APPLN. ID 58570/98
 AOJP DATE 27/08/98 PCT NUMBER PCT/EP97/07065



AU9858570

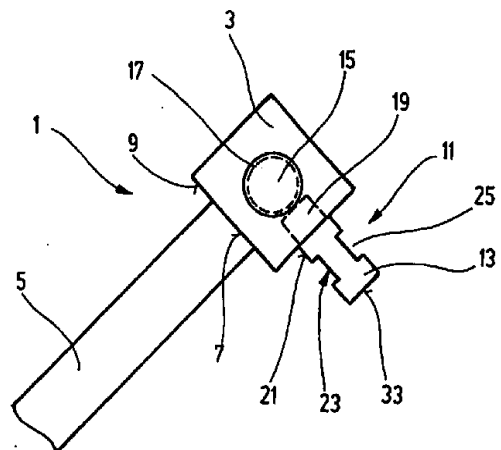
<p>(51) Internationale Patentklassifikation ⁶ : E04B 1/19</p>	<p>A1</p>	<p>(11) Internationale Veröffentlichungsnummer: WO 98/27290</p> <p>(43) Internationales Veröffentlichungsdatum: 25. Juni 1998 (25.06.98)</p>
<p>(21) Internationales Aktenzeichen: PCT/EP97/07065</p> <p>(22) Internationales Anmeldedatum: 16. Dezember 1997 (16.12.97)</p> <p>(30) Prioritätsdaten: 196 52 969.7 19. Dezember 1996 (19.12.96) DE</p> <p>(71) Anmelder <i>(für alle Bestimmungsstaaten ausser US):</i> BURKHARDT LEITNER CONSTRUCTIV [DE/DE]; Am Bismarckturn 39, D-70192 Stuttgart (DE).</p> <p>(72) Erfinder; und (73) Erfinder/Anmelder <i>(nur für US):</i> LEITNER, Burkhardt [DE/DE]; Am Bismarckturn 39, D-70192 Stuttgart (DE).</p> <p>(74) Anwälte: GLEISS, Alf-Olav usw.; Maybachstrasse 6A, D-70469 Stuttgart (DE).</p>	<p>(81) Bestimmungsstaaten: AL, AM, AT, AU, AZ, BA, BB, BG, BR, BY, CA, CH, CN, CU, CZ, DK, EE, ES, FI, GB, GE, HU, IL, IS, JP, KE, KG, KP, KR, KZ, LC, LK, LR, LS, LT, LU, LV, MD, MG, MK, MN, MW, MX, NO, NZ, PL, PT, RO, RU, SD, SE, SG, SI, SK, TJ, TM, TR, TT, UA, UG, US, UZ, VN, ARIPO Patent (GH, GM, KE, LS, MW, SD, SZ, UG, ZW), eurasisches Patent (AM, AZ, BY, KG, KZ, MD, RU, TJ, TM), europäisches Patent (AT, BE, CH, DE, DK, ES, FI, FR, GB, GR, IE, IT, LU, MC, NL, PT, SE), OAPI Patent (BF, BJ, CF, CG, CI, CM, GA, GN, ML, MR, NE, SN, TD, TG).</p> <p>Veröffentlicht <i>Mit internationalem Recherchenbericht. Vor Ablauf der für Änderungen der Ansprüche zugelassenen Frist. Veröffentlichung wird wiederholt falls Änderungen eintreffen.</i></p>	

See
 page 3-5



(54) Title: SUPPORTING FRAME WITH ASSEMBLAGE NODES AND BRACES

(54) Bezeichnung: TRAGWERK MIT VERBINDUNGSKNOTEN UND STREBEN



(57) Abstract

The invention relates to a supporting frame with assemblage nodes and braces, which is characterized in that the joint between the assemblage nodes (3) and the end parts (27) of the braces (5) comprises a pin joint, that at least one of the elements (braces (5)) of the pin joint (11) which can be plugged into each other has at least one magnet (29), and that at least a partial area of the corresponding counter-part (pin (13)) is ferromagnetic.

Supporting Framework with Connecting Joints and Braces

Description

The invention concerns a supporting framework with connecting joints and braces, which is used for example in the field of exhibition for fair construction and conventional construction.

Braces are known which are connected together in the region of the connecting joints and are fastened with screws at the connecting joints in order to provide the necessary stability. However, it has been shown that even with demountable systems, connection methods of that type are relatively expensive and therefore can only be produced at relatively high costs.

It is the object of the present invention to substantially overcome or at least ameliorate the above disadvantage.

Accordingly, the present invention provides a supporting framework including part and counterpart plug-in connection elements comprising connecting joints and braces, wherein the connection between said connecting joints and the end regions of said braces comprises said plug-in connection and wherein at least one of the plug-in connection elements has at least one magnet and a counterpart element is ferromagnetic.

In the preferred embodiment, the plug-in connection makes the connection between the connecting joints and the end region of the braces, providing a simple, inexpensive and reliable connection, protected against inadvertent loosening of the elements plugged into each other.

A preferred form of design of the supporting framework is distinguished by the braces being developed in tubular form at least in one end region allocated a joint and this tubular end region providing the receptacle for a magnet and/or ferromagnetic counterpart. The tubular end region is capable of absorbing very high connection forces, while the weight of the brace remains relatively low due to the tubular form.

A preferred form of the present invention will now be described by way of example with reference to the accompanying drawings, wherein:

Figure 1 is a side view of a connecting joint and a brace, and

Figure 2 is a diagrammatic partial section through the end region of a brace.

The supporting framework described below is preferably used for systems which are frequently demounted and reconstructed, for example for exhibition or fair buildings.

Obviously the application to the conventional construction field is also certainly feasible.



the connecting joint 3. The connecting joint 3 is formed in this case as a cube with square sides. However, any polyhedron or even a spherical connecting joint can also be used to produce a supporting framework with braces.

The brace 5 is connected to the connecting joint 3 by a plug-in connection 11 which consists of two elements which can be plugged into each other and at least one of which contains a magnet. The associated counterpart is ferromagnetic, at least as a region, i.e. at least the section of the counterpart, which is associated with the magnet, is attracted by it. It is also feasible to manufacture the counterpart completely from ferromagnetic material.

In the design example represented here, the plug-in connection 11 has a pin 13 which is attached to the connecting joint 3. For this purpose, a recess or drilled hole 15 is made in at least one, preferably all, of the sides 9 of the connecting joint 3. Manufacture of the connecting joint 3 is very easy, if the latter is penetrated by three mutually perpendicular drilled holes. The pin 13 can be inserted into its associated hole and suitably secured, even by using a special adhesive. In the design example represented here, it is assumed that the holes penetrating the connecting joint 3 are provided with an internal screw thread 17, in which a threaded projection 19 of the pin 13 engages. In the circumferential surface 21 of the pin 13, two opposed parallel plane faces 23 and 25 are provided, which are used as a gripping surface for a wrench, with which the pin 13 can be screwed into the internal screw thread 17.



It is clear from Figure 2 that at least one end region, and preferably at both end regions, of the brace 5 is formed in a tubular shape. It is also conceivable to design the brace 5 as a continuous tube, so that the total weight of the supporting structure is reduced.

The tubular end region 27 of the brace 5 provides the receptacle for the pin 13. If the latter is inserted into the end of the brace 5, a plug-in connection 11 is produced which — depending on the length of the pin 13 and the dimensioning of the fit between the internal face of the brace 5 and the external face of the pin 13 — can absorb large forces. Magnetic attraction forces are added to consolidate the connection between the connecting joint 3 and brace 5. For example, a magnet 29, which can be suitably mounted inside the brace 5, can be put into the end region 27. Purely by way of example, a fixing sleeve 31 is provided in this position. However, the mounting of the magnet 29 is not crucial for the creation of the plug-in connection 11 in the end region of the brace 5. Therefore the magnet can also be mounted by pins or screws running at right angles to the longitudinal axis of the brace 5. The mounting of the magnet inside the brace is however the most favourable, so that the external surface of the brace remains intact and consequently imparts a particularly attractive visual effect.

The distance of the magnet 29 from the end 7 of the brace 5 is chosen so that the end face 33 (see Figure 1) of the pin 13 fits closely against the face 35 of the magnet 29. The pin 13 is ferromagnetic, at least in the region of its end face 33, in order to ensure the magnetic consolidation of the plug-in connection 11. Preferably it is manufactured completely from ferromagnetic material.



Therefore if the pin 13 is put into the tubular end region 27 of the brace 5, the magnet 29 attracts the pin 13 so that the pin 13 is securely held inside the brace 5. Additionally, as previously mentioned, retention forces can be guaranteed because a frictional lock is produced between the inner surface of the brace 5 and the outer surface of the pin 13.

Since the orientation of the pin 13 in a screwed connection with the connecting joint 3 is not guaranteed with regard to the rotational axis of the pin 13, preference is given to a cylindrical pin which engages in a cylindrical sleeve or the cylindrical end region 27 of the brace. Of course the brace can have a peripheral surface of any arbitrary shape, but the only essential thing is that a cylindrical receptacle for the pin 13 is provided in the tubular end region 27. What is clear is that a non-cylindrical pin also can be combined with a corresponding receptacle in the end region 27 of a brace 5. In all cases, the plug-in connection 11 is consolidated by the provision of the magnetic forces. At the same time, it is emphasised that the magnet 29 also can be replaced by a ferromagnetic part, provided that the pin 13 is formed as a magnet, at least in its end region.

It is clear in all other respects from the comments on Figures 1 and 2 that, instead of a pin 13, a sleeve which can be combined with the connecting joint 3 also can be used, into which is plugged a brace 5 or a pin-shaped extension leading out of the brace. It is also essential here that the plug-in connection produced by it is stabilised and consolidated with the aid of magnetic forces, the magnet and the ferromagnetic counterpart in this case also being interchangeable.



Depending on the location in which the connecting joint 3 is used, one or a maximum of four pins are screwed into the cube-shaped connecting joint and connected to braces. In the case of a polyhedral-shaped connecting joint with more than four external faces, more than six braces also can be attached to a connecting joint with appropriate dimensioning of the diameter of the brace. Moreover, it also feasible to design the connecting joint as a sphere and to provide it with several holes in which pins can be inserted, as explained with reference to Figure 1.

In all cases, a supporting framework can be produced, which can be easily constructed and demounted and in which large forces can be absorbed by the plug-in connection between braces and connecting joints, and at the same time a very high protection against inadvertent loosening of the connection is provided by the magnetic forces.



The claims defining the invention are as follows:

1. A supporting framework including part and counterpart plug-in connection elements comprising connecting joints and braces, wherein the connection between said connecting joints and the end regions of said braces comprises said plug-in connection and wherein at least one of the plug-in connection elements has at least one magnet and a counterpart element is ferromagnetic.

2. A supporting framework according to Claim 1, wherein said braces are formed with a tubular shape in at least one joint allocated end region and wherein each of said tubular end regions provides a receptacle for said magnet or said ferromagnetic counterpart.

3. A supporting framework according to Claim 2, wherein said braces are formed with a tubular shape at both end regions.

4. A supporting framework according to any one of Claims 1 to 3, wherein said magnet can be pressed into and/or glued into said end region.

5. A supporting framework according to any one of Claims 1 to 4, wherein said connecting joints have at least one pin which can be plugged into a tubular end region of a brace and/or a sleeve constituting a part of a plug-in connection into which the brace can be plugged.

6. A supporting framework according to any one of the preceding claims, wherein said connecting joints are formed as polyhedrons and wherein at least some of the sides of said connecting joints are provided with holes which serve as receptacles for pins.

7. A supporting framework according to either Claim 5 or Claim 6, wherein said pins are screwed into said connecting joint.

8. A supporting framework with connecting joints and braces, said supporting framework being substantially as hereinbefore described with reference to the accompanying drawings.

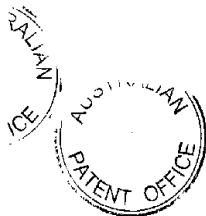
Dated 27 November, 2000

Burkhardt Leitner

Patent Attorneys for the Applicant/Nominated Person

SPRUSON & FERGUSON

30



1 / 1

