



- (51) International Patent Classification:  
*H01L 21/683* (2006.01)
- (21) International Application Number:  
PCT/EP2015/066566
- (22) International Filing Date:  
20 July 2015 (20.07.2015)
- (25) Filing Language:  
English
- (26) Publication Language:  
English
- (30) Priority Data:  
62/026,694 20 July 2014 (20.07.2014) US  
62/027,166 21 July 2014 (21.07.2014) US
- (71) Applicant: **X-CELEPRINT LIMITED** [IE/IE]; Lee Maltings, Dyke Parade, Cork (IE).
- (72) Inventors: **BOWER, Christopher**; c/o X-Celeprint Limited, Lee Maltings, Dyke Parade, Cork (IE). **MEITL, Matthew**; c/o X-Celeprint Limited, Lee Maltings, Dyke Parade, Cork (IE). **KNEEBURG, David**; c/o X-Celeprint Limited, Lee Maltings, Dyke Parade, Cork (IE). **GOMEZ, David**; c/o X-Celeprint Limited, Lee Maltings, Dyke Parade, Cork (IE). **BONAFEDE, Salvatore**; c/o X-Celeprint Limited, Lee Maltings, Dyke Parade, Cork (IE).
- (74) Agents: **KIRKHAM, Nicholas** et al.; St Botolph's House, 7-9 St Botolph's Road, Sevenoaks, Kent TN13 3AJ (GB).

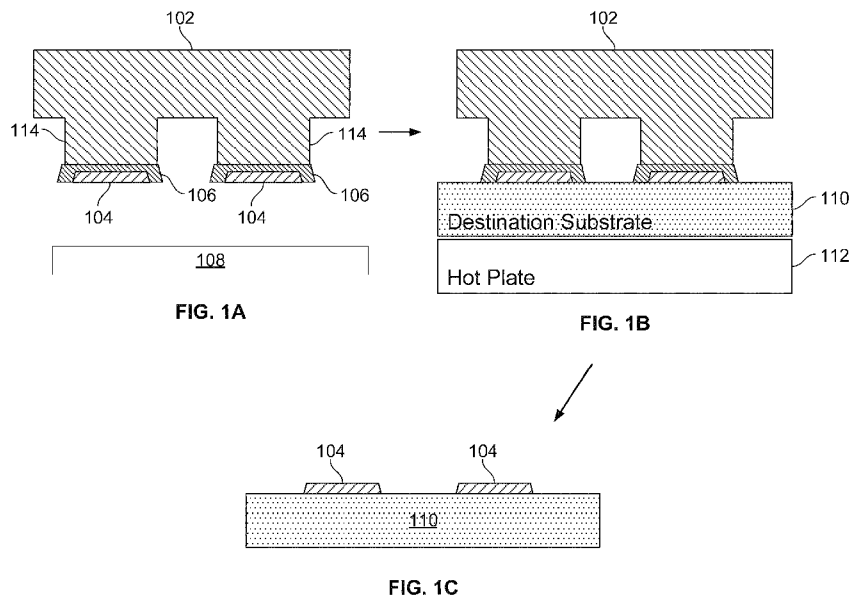
- (81) Designated States (unless otherwise indicated, for every kind of national protection available): AE, AG, AL, AM, AO, AT, AU, AZ, BA, BB, BG, BH, BN, BR, BW, BY, BZ, CA, CH, CL, CN, CO, CR, CU, CZ, DE, DK, DM, DO, DZ, EC, EE, EG, ES, FI, GB, GD, GE, GH, GM, GT, HN, HR, HU, ID, IL, IN, IR, IS, JP, KE, KG, KN, KP, KR, KZ, LA, LC, LK, LR, LS, LU, LY, MA, MD, ME, MG, MK, MN, MW, MX, MY, MZ, NA, NG, NI, NO, NZ, OM, PA, PE, PG, PH, PL, PT, QA, RO, RS, RU, RW, SA, SC, SD, SE, SG, SK, SL, SM, ST, SV, SY, TH, TJ, TM, TN, TR, TT, TZ, UA, UG, US, UZ, VC, VN, ZA, ZM, ZW.
- (84) Designated States (unless otherwise indicated, for every kind of regional protection available): ARIPO (BW, GH, GM, KE, LR, LS, MW, MZ, NA, RW, SD, SL, ST, SZ, TZ, UG, ZM, ZW), Eurasian (AM, AZ, BY, KG, KZ, RU, TJ, TM), European (AL, AT, BE, BG, CH, CY, CZ, DE, DK, EE, ES, FI, FR, GB, GR, HR, HU, IE, IS, IT, LT, LU, LV, MC, MK, MT, NL, NO, PL, PT, RO, RS, SE, SI, SK, SM, TR), OAPI (BF, BJ, CF, CG, CI, CM, GA, GN, GQ, GW, KM, ML, MR, NE, SN, TD, TG).

**Declarations under Rule 4.17:**

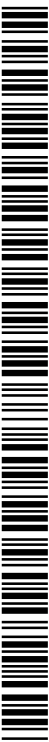
- as to applicant's entitlement to apply for and be granted a patent (Rule 4.17(ii))
- as to the applicant's entitlement to claim the priority of the earlier application (Rule 4.17(iii))

[Continued on next page]

(54) Title: APPARATUS AND METHODS FOR MICRO-TRANSFER PRINTING



(57) Abstract: In an aspect, a system and method for assembling a semiconductor device on a receiving surface of a destination substrate is disclosed. In another aspect, a system and method for assembling a semiconductor device on a destination substrate with topographic features is disclosed. In another aspect, a gravity-assisted separation system and method for printing semiconductor device is disclosed. In another aspect, various features of a transfer device for printing semiconductor devices are disclosed.



**Published:**

- *without international search report and to be republished upon receipt of that report (Rule 48.2(g))*

**APPARATUS AND METHOD FOR MICRO-TRANSFER PRINTING****PRIORITY APPLICATIONS**

This application claims priority to and the benefit of U.S. Provisional Patent Application No. 62/026,694, filed July 20, 2014, entitled “Apparatus and Method for Micro-Transfer Printing” and U.S. Provisional Patent Application No. 62/027,166, filed July 21, 2014, entitled “Methods and Tools for Micro-Transfer Printing,” the contents of each of which is incorporated by reference herein in its entirety.

**FIELD OF THE INVENTION**

The present invention relates to methods and tools for micro-transfer-printing printable devices to destination substrates.

**BACKGROUND OF THE INVENTION**

The disclosed technology relates generally to methods and tools for micro-transfer-printing. It is often difficult to pick up and place ultra-thin and/or small devices using this technology. Micro transfer printing permits the selection and application of these ultra-thin, fragile, and/or small devices without causing damage to the devices themselves.

Micro-transfer-printing allows for deterministically assembling and integrating arrays of micro-scale, high-performance devices onto non-native substrates. In its simplest embodiment, micro-transfer-printing is analogous to using a rubber stamp to transfer liquid-based inks from an ink-pad onto paper. However, in micro-transfer-printing the “inks” are composed of high-performance solid-state semiconductor devices and the “paper” can be substrates, including plastics and other semiconductors. The micro-transfer-printing process leverages engineered

elastomer stamps coupled with high-precision motion-controlled print-heads to selectively pick-up and print large arrays of micro-scale devices onto non-native destination substrates.

Adhesion between the elastomer transfer device and the printable element can be selectively tuned by varying the speed of the print-head. This rate-dependent adhesion is a consequence of the viscoelastic nature of the elastomer used to construct the transfer device. When the transfer device is moved quickly away from a bonded interface, the adhesion is large enough to “pick” the printable elements away from their native substrates, and conversely, when the transfer device is moved slowly away from a bonded interface the adhesion is low enough to “let go” or “print” the element onto a foreign surface. This process may be performed in massively parallel operations in which the stamps can transfer, for example, hundreds to thousands of discrete structures in a single pick-up and print operation.

Micro transfer printing also enables parallel assembly of high-performance semiconductor devices onto virtually any substrate material, including glass, plastics, metals, or other semiconductors. The substrates may be flexible, thereby permitting the production of flexible electronic devices. Flexible substrates may be integrated in a large number of configurations, including configurations not possible with brittle silicon-based electronic devices. Additionally, plastic substrates, for example, are mechanically rugged and may be used to provide electronic devices that are less susceptible to damage or electronic performance degradation caused by mechanical stress. Thus, these materials may be used to fabricate electronic devices by continuous, high-speed, printing techniques capable of generating electronic devices over large substrate areas at low cost (e.g., roll to roll manufacturing).

Moreover, these micro transfer printing techniques can print semiconductor devices at temperatures compatible with assembly on plastic polymer substrates. In addition,

semiconductor materials may be printed onto large areas of substrates thereby enabling continuous, high speed printing of complex integrated electrical circuits over large substrate areas. Moreover, fully flexible electronic devices with good electronic performance in flexed or deformed device orientations may be provided to enable a wide range of flexible electronic devices.

Micro-structured stamps may be used to pick up micro devices, transport the micro devices to the destination, and print the micro devices onto a destination substrate. The transfer device (e.g., micro-structured stamp) can be created using various materials. Posts on the transfer device can be generated such that they pick up material from a pick-able object and then print the material to the target substrate. The posts can be generated in an array fashion and can be a range of heights depending on the size of the printable material. Compression (in the z direction) of the transfer device can be used to fully laminate the array of printable objects to the posts of the transfer device. Additionally, compression can be used to allow for a critical velocity to be reached by increasing the distance the stamp is moved at a set acceleration based on the equation  $v^2 = 2ad$ .

However, compression of the transfer device poses several issues. Among other things, there is a possibility of sagging between posts. This sag allows for unwanted materials to be picked up from the source substrate. As the span between adjacent posts is increased, the risk of sag causing problems increases. Additionally, there is a crowning effect that can be noted at the edge of the transfer device bulk material that is caused by the coefficient of thermal expansion (CTE) mismatch between the bulk material and the hard plate interface (e.g., glass) as shown, for example, in FIG. 22. Thus, there is a need for techniques that minimize or eliminate at least these issues and increase bonding when devices are printed.

Transfer printing with a visco-elastic stamp material requires a high-velocity separation between stamp and source material to “pick” chips. Typical applications use approximately 1g of acceleration to accomplish the chip or die “pick” process step. However, the velocity at separation occurs at small distances (e.g., tens of microns or less) dependent on the compression of the stamp at lamination. Thus, there is a need for greater acceleration to create higher separation velocities at small distances that in turn increases the adhesion between the stamp and source.

### **SUMMARY OF THE INVENTION**

As described herein, the present disclosure provides methods and tools for micro transfer printing. In certain embodiments, the disclosed technology utilizes high acceleration when picking up chips from the source wafer. Traditional methods of the “pick” process utilize a vertical stage (with stamp attached) that moves the stamp rapidly upward, away from the substrate. Typically, approximately 1 g of acceleration is used to pick up devices from the native substrate. In certain embodiments, it is advantageous to increase the initial acceleration (5 – 100 g) to achieve higher velocities during the pick process. The velocity at separation occurs at very small travel distances that are dependent on the compression of the stamp at lamination. Higher acceleration can create higher separation velocities at small distances that in turn increases the adhesion between the stamp and source. Movement of the stamp in the downward direction, away from the source substrate, during the “pick” process can increase the overall acceleration by moving with gravity, and therefore can add an additional 1 g of acceleration to the transfer.

In certain embodiments, heat-assisted micro-transfer-printing is performed to adhesiveless surfaces and topographic surfaces. Polymer encapsulations can be used to enhance

transfer of semiconductor devices to non-native substrates when the polymer is designed to contract and then reflow while in contact with the destination substrate. The polymer layer can be subsequently removed while leaving behind the transferred device on the non-native substrate. This also improves the ability to micro-transfer-print to topographic surfaces.

A plasma treatment (e.g., no vacuum required) can be performed during micro transfer printing. The plasma can be applied to bottom surfaces of devices that are attached to an elastomer transfer-element. This treatment of bottom surfaces can be used (i) to provide improved bonding between the devices and destination substrate, (ii) to clean the bottom surface of devices that have been fabricated using epitaxial lift-off methods, and (iii) to remove thin layers of oxides (e.g., Cu-Cu, CuSn-Cu, Cu-Sn-Sn-Cu, Au-Au) from the bottom surface (e.g., if a reducing gas such as forming gas, ammonia, formic acid, etc., is added to the plasma). The treatment can be applied to the devices while they are on the transfer device in a manner in which the devices are un-distributed (e.g., do not fall of the stamp).

In certain embodiments, plasma treatment can be applied to the bottom surfaces of devices that are attached to the transfer device. The treatment can be used to improve bonding between the devices and the destination substrate. The treatment can be used to clean the bottom surfaces and or to remove any layers of oxides from the bottom surfaces. If the devices have a backside metal, the plasma can be used to remove oxides from the surface of the metal.

In certain embodiments, if the devices have a backside metal, the semiconductor elements are printed to a destination substrate with mating metal pads that have been coated with a flux. After transferring the devices, the flux can be reflowed thereby leaving a good metal connection between the pads and the backside metal on the devices.

A crowning effect can be noted at the edge of the transfer device bulk material manufactured using prior art methods. The crowning is caused by the coefficient of thermal expansion (CTE) mismatch between the bulk material and the hard-plate interface (e.g., glass) as shown, for example, in FIG. 22. In certain embodiments, the disclosed technology includes transfer devices designed to eliminate or reduce issues related to crowning. In certain embodiments, the crown is cut with a razor so that printable semiconductor elements are not picked up by the crown during a print operation.

In certain embodiments, a second material is placed between the bulk volume and the hard-plate interface. As a result, the bulk volume material directly above the second material is thinner than it otherwise would be. This produces a smaller crown since there is less material to deform and bulge to form the crown.

In some embodiments, the bezel or sidewall of the bulk volume is such that crowning is minimized. As explained below, certain shape sidewalls result in a transfer device with less crowning.

In certain embodiments, multiple bulk material layers (e.g., viscoelastic material) are provided. The first bulk material layer is on the hard-plate interface and typically has what would normally be a problematic crown. A second bulk material layer is provided on the first bulk material layer. The second bulk material layer is thinner than the first bulk material layer. As the second bulk material layer is thinner, it will have a smaller crown. The posts are placed on the second bulk material layer and are prominent relative to the crown on the second layer of bulk material. Additionally, the posts are prominent relative to the first bulk material layer since the thickness of the second bulk material layer and the height of the posts combined is larger than the crown on the first layer of bulk material.

In certain embodiments, the transfer devices has multi-tiered posts with successively smaller cross sections on successive tiers of posts. A micro-post is formed on a post. The micro-post is used to physically contact the printable semiconductor devices. The micro-post is typically shorter and narrower than the post. The use of multi-tiered posts allows desired aspect ratios for the posts to be maintained while still allowing small devices to be picked up. The height gained by the multi-tiered post can reduce the risk of crowning problems as the height of the post is increased. Additionally, the multi-tiered posts can reduce issues related to sagging.

When a transfer device is compressed during a pickup operation, there is a possibility of sagging between posts. This sag allows for unwanted materials to be picked up from the source substrate. As the span between adjacent posts is increased, the risk of sag causing problems increases.

Multi-tiered posts can be used to increase the height of the posts while maintaining desired aspect ratios for the posts, thus reducing issues related to sagging and crowning. In certain embodiments, anti-sag features are provided between posts on the transfer device. The anti-sage features can have an aspect ratio such that they will not pick up devices. In this manner, the anti-sag posts prevent the body of the bulk material in the transfer device from contacting the source substrate, thereby reducing issues related to sagging.

In certain embodiments, the transfer device is provided with a rough surface between the posts. The rough surface reduces the risk that printable semiconductor elements will be picked up if sagging occurs because the rough surface reduces adhesion.

In one aspect, the disclosed technology includes a method for assembling a semiconductor device on a receiving surface of a destination substrate, the method including: providing the semiconductor device formed on a native substrate; contacting a top surface of the

semiconductor device with a conformable transfer device having a contact surface, wherein contact between the contact surface and the top surface of the semiconductor device at least temporarily binds the semiconductor device to the conformable transfer device; separating the semiconductor device from the native substrate such that the contact surface of the conformable transfer device has the semiconductor device disposed thereon with the semiconductor device released from the native substrate; prior to contacting the semiconductor device with the receiving surface of the destination substrate, exposing a backside surface of the semiconductor device to a plasma (e.g., atmospheric plasma) following separation from the native substrate; contacting the semiconductor device disposed on the contact surface with the receiving surface of the destination substrate; and separating the contact surface of the conformable transfer device from the semiconductor device, thereby assembling the semiconductor device on the receiving surface of the destination substrate.

In certain embodiments, exposing the backside surface to plasma improves bonding between the semiconductor device and the receiving substrate of the destination substrate.

In certain embodiments, exposing the backside surface to plasma cleans the backside surface of the semiconductor device.

In certain embodiments, exposing the backside surface to plasma removes thin layers of oxides from the backside surface of the semiconductor device.

In certain embodiments, the destination substrate is a member selected from the group consisting of polymer, plastic, resin, polyimide, PEN, PET, metal, metal foil, glass, a semiconductor, and sapphire.

In certain embodiments, the destination substrate has a transparency greater than or equal to 50%, 80%, 90%, or 95% for visible light.

In certain embodiments, the native substrate comprises a member selected from the group consisting of inorganic semiconductor material, single crystalline silicon wafers, silicon on insulator wafers, polycrystalline silicon wafers, GaAs wafers, Si (1 1 1), InAlP, InP, GaAs, InGaAs, AlGaAs, GaSb, GaAlSb, AlSb, InSb, InGaAlSbAs, InAlSb, and InGaP.

In certain embodiments, the plasma comprises a reducing gas.

In certain embodiments, the method includes controlling at least one of a duty cycle, residence time, power of the plasma, and distance of the plasma to the semiconductor device to prevent shearing and delamination of the semiconductor devices from the contacting surface of the conformable transfer device.

In certain embodiments, the backside surface of the semiconductor device comprises metal.

In certain embodiments, the metal is at least one of copper, tin, aluminum, and a mixture thereof.

In certain embodiments, the receiving surface of the destination substrate at least in part comprises metal.

In certain embodiments, the metal is at least one of copper, tin, aluminum, and a mixture thereof.

In certain embodiments, conformable transfer device comprises at least one of a visco-elastic stamp and an elastic stamp.

In certain embodiments, the method includes, prior to contacting the semiconductor device disposed on the contact surface with the receiving surface of the destination substrate, separating the conformable transfer device from the native substrate, thereby picking up the semiconductor device from the native substrate.

In certain embodiments, separating the conformable transfer device from the native substrate is performed with an initial acceleration of no less than 5 g (e.g., 5-100 g).

In certain embodiments, said separating the conformable transfer device from the native substrate comprises one or both of the following: (i) moving the conformable transfer device away from the native substrate; and (ii) moving the native substrate away from the conformable transfer device.

In certain embodiments, the conformable transfer device comprises at least one of a cylindrical post, triangular post, rectangular post, pentagonal post, hexagonal post, heptagonal post, and octagonal post.

In certain embodiments, the conformable transfer device comprises a transfer device layer with a plurality of posts, each of the posts shaped to contact an individual semiconductor device from the native substrate, thereby assembling an array of semiconductor devices on the receiving surface of the destination substrate.

In certain embodiments, the conformable transfer device comprises one or more anti-sag posts located between two adjacent posts of the plurality of posts.

In certain embodiments, the anti-sag posts have a height that is less than the height of one or more of the posts.

In certain embodiments, the surface of the transfer device between each post of the plurality of posts is a roughened surface.

In certain embodiments, a bulk volume of the transfer device comprises a first material and the plurality of posts comprise a second material, wherein the plurality of posts are disposed on the bulk volume.

In certain embodiments, the method includes, after contacting the semiconductor device disposed on the contact surface with the receiving surface of the destination substrate, heating, by a heating element, the polymer layer.

In certain embodiments, the method includes, after providing the semiconductor device formed on a native substrate, etching at least a portion of a release layer formed between the semiconductor device and the native substrate.

In certain embodiments, the semiconductor device comprises a unitary inorganic semiconductor structure.

In certain embodiments, the destination substrate comprises Si.

In certain embodiments, the semiconductor device comprises an encapsulating polymer layer.

In certain embodiments, the conformable transfer device comprises one or more anti-sag posts of the same height as the plurality of posts, each anti-sag post located between at least two posts of the plurality of posts.

In certain embodiments, the semiconductor device is assembled on the receiving surface of the destination substrate such that a metal backside surface of the semiconductor device at least partially contacts a flux layer on the destination substrate.

In certain embodiments, the method includes, after assembling the semiconductor device on the receiving surface of the destination substrate, thermally treating the flux layer, thereby securing the metal backside surface to the metal pad.

In certain embodiments, the semiconductor device has a polymer layer disposed on a top surface of the semiconductor device.

In another aspect, the disclosed technology includes a method for assembling a semiconductor device on a receiving surface of a destination substrate, the method including: providing the semiconductor device formed on a native substrate with a polymer layer disposed on a top surface of the semiconductor device; contacting the polymer layer of the semiconductor device with a conformable transfer device having a contact surface, wherein contact between the contact surface and the semiconductor device at least temporarily binds the semiconductor device to the conformable transfer device; separating the semiconductor device from the native substrate so that the semiconductor device is disposed on the contact surface of the conformable transfer device and is released from the native substrate; contacting the semiconductor device disposed on the contact surface to the receiving surface of the destination substrate; heating, by a heating element, the polymer layer; and separating the contact surface of the conformable transfer device from the semiconductor device so that the semiconductor device is transferred onto the receiving surface, thereby assembling the semiconductor device on the receiving surface of the destination substrate.

In certain embodiments, the heating element is a hotplate.

In certain embodiments, the heating element is disposed on a side of the destination substrate opposite the semiconductor device.

In certain embodiments, the destination substrate is non-native to the semiconductor devices.

In certain embodiments, the method includes, after heating the polymer layer, removing, at least in part, the polymer.

In certain embodiments, heat from the heating element reduces a viscosity of the polymer layer and causes the polymer layer to flow.

In certain embodiments, the polymer layer is disposed on the top surface of the semiconductor device and one or more sides of the semiconductor device.

In certain embodiments, the polymer layer encapsulates at least a portion of the printable semiconductor on the native substrate.

In certain embodiments, the receiving surface of the destination substrate comprises a non-planar topographical surface.

In certain embodiments, the destination substrate is a member selected from the group consisting of polymer, plastic, resin, polyimide, PEN, PET, metal, metal foil, glass, a semiconductor, and sapphire.

In certain embodiments, the destination substrate has a transparency greater than or equal to 50%, 80%, 90%, or 95% for visible light.

In certain embodiments, the native substrate comprises a member selected from the group consisting of inorganic semiconductor material, single crystalline silicon wafers, silicon on insulator wafers, polycrystalline silicon wafers, GaAs wafers, Si (1 1 1), InAlP, InP, GaAs, InGaAs, AlGaAs, GaSb, GaAlSb, AlSb, InSb, InGaAlSbAs, InAlSb, and InGaP.

In certain embodiments, the semiconductor device is assembled on the receiving surface of the destination substrate such that a metal backside surface of the semiconductor device at least partially contacts a flux layer on the destination substrate.

In certain embodiments, the method includes, after assembling the semiconductor device on the receiving surface of the destination substrate, thermally treating the flux layer, thereby securing the metal backside surface to the metal pad.

In certain embodiments, the method includes, prior to contacting the semiconductor device with the receiving surface of the destination substrate, exposing a backside surface of the

semiconductor device, opposite the top surface of the semiconductor device, to plasma following separation from the native substrate.

In another aspect, the disclosed technology includes a method for assembling a semiconductor device on a receiving surface of a destination substrate, the method including: providing the semiconductor device formed on a native substrate, the semiconductor device comprising a metal backside surface; contacting a top surface of the semiconductor device with a conformable transfer device having a contact surface, wherein contact between the contact surface and the semiconductor device at least temporarily binds the semiconductor device to the conformable transfer device; separating the semiconductor device from the native substrate so that the contact surface of the conformable transfer device has the semiconductor device disposed thereon with the semiconductor device released from the native substrate; contacting the semiconductor device disposed on the contact surface with the receiving surface of the destination substrate, wherein the receiving surface comprises a flux layer on a metal pad disposed on the destination substrate; separating the contact surface of the conformable transfer device from the semiconductor device, thereby assembling the semiconductor device on the receiving surface of the destination substrate such that the metal backside surface of the semiconductor device at least partially contacts the flux layer; and exposing the flux layer to heat, thereby securing the metal backside surface to the metal pad.

In certain embodiments, thermally treating the flux layer comprises exposing the flux layer to heat.

In certain embodiments, the flux layer is exposed to heat using a heating element.

In certain embodiments, the heating element is a hotplate.

In certain embodiments, the heating element is disposed on a side of the destination substrate opposite the printable semiconductor device.

In certain embodiments, providing the semiconductor device formed on the native substrate comprises providing the semiconductor device formed on the native substrate with a polymer layer disposed on a top surface of the semiconductor device.

In certain embodiments, the destination substrate is a member selected from the group consisting of polymer, plastic, resin, polyimide, PEN, PET, metal, metal foil, glass, a semiconductor, and sapphire.

In certain embodiments, the destination substrate has a transparency greater than or equal to 50%, 80%, 90%, or 95% for visible light.

In certain embodiments, the native substrate comprises a member selected from the group consisting of inorganic semiconductor material, single crystalline silicon wafers, silicon on insulator wafers, polycrystalline silicon wafers, GaAs wafers, Si (1 1 1), InAlP, InP, GaAs, InGaAs, AlGaAs, GaSb, GaAlSb, AlSb, InSb, InGaAlSbAs, InAlSb, and InGaP.

In certain embodiments, providing the semiconductor device formed on the native substrate comprises: forming the semiconductor device on the native substrate; and encapsulating the printable semiconductor at least in part with a polymer layer.

In certain embodiments, the semiconductor device formed on the native substrate is encapsulated with a polymer layer.

In certain embodiments, the receiving surface of the destination substrate comprises one or more non-planar topographical features.

In certain embodiments, the one or more non-planar topographic features comprise at least one member selected from the group consisting of mesas, v-shaped channels, and trenches.

In certain embodiments, the semiconductor device has a polymer layer disposed on a top surface of the semiconductor device.

In certain embodiments, the method includes, after contacting the semiconductor device disposed on the contact surface with the receiving surface of the destination substrate, heating, by a heating element, the polymer layer.

In certain embodiments, the method includes, following separation from the native substrate and prior to contacting the semiconductor device with the receiving surface of the destination substrate, exposing to plasma a backside surface of the semiconductor device, opposite the top surface of the semiconductor device.

In another aspect, the disclosed technology includes a conformable transfer device with reduced crowning, the transfer device comprising: a bulk volume having a first surface and a second surface, opposite the first surface, and a side between the first surface and the second surface, wherein the bulk area comprises a tapered surface connecting the side to the first surface; and a plurality of printing posts disposed on the first surface of the bulk volume for picking up printable material, wherein the plurality of printing posts and the bulk volume are arranged such that a force applied to the second surface of the bulk volume is transmitted to the plurality of printing posts.

In certain embodiments, an aspect ratio (height to width) of each post of the plurality of posts is less than or equal to 4:1 (e.g., from 2:1 to 4:1).

In certain embodiments, each post of the plurality of printing posts comprises a contact surface on the end of the post opposite the first surface, wherein the contact surfaces of the plurality of posts are substantially in a same plane.

In certain embodiments, the thickness of plurality of printing posts is from 1 micron to 100 microns (e.g., from 1 to 5 microns, 5 to 10 microns, 10 to 15 microns, 50 to 25 microns, 25 to 40 microns, 40 to 60 microns, 60 to 80 microns, or 80 to 100 microns).

In certain embodiments, the thickness of the bulk volume is from .5 mm to 5 mm (e.g., from .5 to 1 mm, 1 to 2 mm, 2 to 3 mm, 3 to 4 mm, or 4 to 5 mm).

In certain embodiments, the ratio of the thickness of the plurality of printing posts and the thickness of the bulk volume is from 1:1 to 1:10 (e.g., from 1:1 to 1:2, 1:2 to 1:4, 1:4 to 1:6, 1:6 to 1:8, or 1:8 to 1:10).

In certain embodiments, the bulk volume has a Young's modulus from 1 GPa to 10 GPa (e.g., from 1 to 4 GPa, 4 to 7 GPa, 7 to 10 GPa).

In certain embodiments, the plurality of printing posts have a Young's modulus from 1 MPa to 10 MPa (e.g., from 1 to 4 MPa, 4 to 7 MPa, 7 to 10 MPa).

In certain embodiments, the plurality of printing posts have a first Young's modulus and the base has a second Young's modulus, greater than the first Young's modulus.

In certain embodiments, the bulk volume comprises a polymer having a coefficient of thermal expansion less than or equal to 14.5 ppm.

In certain embodiments, the plurality of printing posts occupy an area selected from 10 cm<sup>2</sup> to 260 cm<sup>2</sup> (e.g., from 10 cm<sup>2</sup> to 40 cm<sup>2</sup>, 40 cm<sup>2</sup> to 80 cm<sup>2</sup>, 120 cm<sup>2</sup> to 160 cm<sup>2</sup>, 160 cm<sup>2</sup> to 200 cm<sup>2</sup>, 200 cm<sup>2</sup> to 240 cm<sup>2</sup>, or 240 cm<sup>2</sup> to 260 cm<sup>2</sup>).

In certain embodiments, each printing post of the plurality of printing posts has at least one of a width, length, and height from 50 nanometers to 10 micrometers (e.g., 50 nm to 100 nm, 100 nm to 200 nm, 200 nm to 400 nm, 400 nm to 600 nm, 600 nm to 800 nm, 800 nm to 1 micron, 1 micron to 5 microns, or 5 microns to 10 microns).

In certain embodiments, the plurality of printing posts are formed in a continuous, unitary layer.

In certain embodiments, the plurality of printing posts comprises a polymer.

In certain embodiments, the bulk volume is Polydimethylsiloxane (PDMS).

In certain embodiments, the bulk volume and the plurality of printing posts are formed from a single material.

In certain embodiments, at least a portion of the posts are arranged on the first surface from 1 mm to 15 mm away from an edge of the first surface (e.g., from 1 mm to 5 mm or 5 mm to 10 mm, 10 mm to 15 mm from the edge).

In certain embodiments, the bulk volume has a side surface between the first and second surfaces, the side surface.

In certain embodiments, the side surface has a beveled and/or rounded edge.

In certain embodiments, the side surface has a rounded profile (e.g., convex or concave).

In certain embodiments, the side surface has a beveled edge forming an angle from horizontal (parallel to the first surface) of no greater than  $75^\circ$  (e.g., no greater than  $60^\circ$ , no greater than  $45^\circ$ , no greater than  $30^\circ$ , or no greater than  $15^\circ$ ).

In another aspect, the disclosed technology includes a conformable transfer device comprising an elastomer (e.g., PDMS) slab (e.g., bulk volume) having a mesa configuration with a surface upon which a plurality of (e.g., array of) posts are disposed, wherein one or more of the following holds [any of (i), (ii), and/or (iii)]: (i) the edge of the mesa has a beveled and/or rounded edge so as to reduce distortion of the surface and allow accurate spacing of the plurality of posts; (ii) the plurality of posts are arranged on the surface at least 1 mm away from the edge

(e.g., from 1 mm to 5 mm or 5 mm to 20 mm from the edge); and (iii) the mesa has a thickness no greater than 10 mm (e.g., from 1 to 5 mm).

In certain embodiments, the edge of the mesa has a beveled edge forming an angle from horizontal (parallel to the surface) of no greater than  $75^\circ$  (e.g., no greater than  $60^\circ$ , no greater than  $45^\circ$ , no greater than  $30^\circ$ , or no greater than  $15^\circ$ ).

In certain embodiments, the edge of the mesa has a rounded profile (e.g., convex or concave).

In certain embodiments, the device includes a substrate (e.g., glass) upon which the elastomer slab is disposed.

In certain embodiments, an aspect ratio (height to width) of each post of the plurality of posts is less than or equal to 4:1 (e.g., from 2:1 to 4:1).

In certain embodiments, each post of the plurality of printing posts comprises a contact surface on the end of the post opposite the first surface, wherein the contact surfaces of the plurality of posts are substantially in a same plane.

In certain embodiments, the thickness of the posts is from 1 micron to 100 microns (e.g., from 1 to 5 microns, 5 to 10 microns, 10 to 15 microns, 50 to 25 microns, 25 to 40 microns, 40 to 60 microns, 60 to 80 microns, or 80 to 100 microns).

In certain embodiments, the thickness of the mesa is from .5 mm to 5 mm (e.g., from .5 to 1 mm, 1 to 2 mm, 2 to 3 mm, 3 to 4 mm, or 4 to 5 mm).

In certain embodiments, the ratio of the thickness of the plurality of posts to the thickness of the mesa is from 1:1 to 1:10 (e.g., from 1:1 to 1:2, 1:2 to 1:4, 1:4 to 1:6, 1:6 to 1:8, or 1:8 to 1:10).

In certain embodiments, the mesa has a Young's modulus from 1 GPa to 10 GPa (e.g., from 1 to 4 GPa, 4 to 7 GPa, 7 to 10 GPa).

In certain embodiments, the posts have a Young's modulus from 1 MPa to 10 MPa (e.g., from 1 to 4 MPa, 4 to 7 MPa, 7 to 10 MPa).

In certain embodiments, the posts have a first Young's modulus and the mesa has a second Young's modulus, greater than the first Young's modulus.

In certain embodiments, the posts have a Young's modulus from 1 MPa to 5 MPa.

In certain embodiments, the mesa comprises a polymer having a coefficient of thermal expansion less than or equal to 14.5 ppm.

In certain embodiments, the posts occupy an area selected from 10 cm<sup>2</sup> to 260 cm<sup>2</sup> (e.g., from 10 cm<sup>2</sup> to 40 cm<sup>2</sup>, 40 cm<sup>2</sup> to 80 cm<sup>2</sup>, 120 cm<sup>2</sup> to 160 cm<sup>2</sup>, 160 cm<sup>2</sup> to 200 cm<sup>2</sup>, 200 cm<sup>2</sup> to 240 cm<sup>2</sup>, or 240 cm<sup>2</sup> to 260 cm<sup>2</sup>).

In certain embodiments, each post of the posts has at least one of a width, length, and height from 50 nanometers to 10 micrometers (e.g., 50 nm to 100 nm, 100 nm to 200 nm, 200 nm to 400 nm, 400 nm to 600 nm, 600 nm to 800 nm, 800 nm to 1 micron, 1 micron to 5 microns, or 5 microns to 10 microns).

In certain embodiments, the posts are formed in a continuous, unitary layer.

In certain embodiments, the posts comprises a polymer.

In certain embodiments, the mesa is Polydimethylsiloxane (PDMS).

In certain embodiments, the mesa and the posts are formed from a single material.

In another aspect, the disclosed technology includes a conformable transfer device, the transfer device including: a bulk volume having a first surface and a second surface, opposite the first surface; a mesa disposed on the bulk volume; a layer comprising a plurality of posts (e.g.,

array of posts) disposed on the mesa, opposite the bulk volume, for picking up printable material, wherein the plurality of posts, the mesa, and the bulk volume are arranged such that a force applied to the second surface of the bulk volume is transmitted to the plurality of posts.

In certain embodiments, a thickness of the mesa is greater than a thickness of the posts.

In certain embodiments, an aspect ratio (height to width) of each post of the plurality of posts is less than or equal to 4:1 (e.g., from 2:1 to 4:1).

In certain embodiments, each post of the plurality of printing posts comprises a contact surface on the end of the post opposite the first surface, wherein the contact surfaces of the plurality of posts are substantially in a same plane.

In certain embodiments, the thickness of the posts is from 1 micron to 100 microns (e.g., from 1 to 5 microns, 5 to 10 microns, 10 to 15 microns, 50 to 25 microns, 25 to 40 microns, 40 to 60 microns, 60 to 80 microns, or 80 to 100 microns).

In certain embodiments, a thickness of the bulk volume is from .5 mm to 5 mm (e.g., from .5 to 1 mm, 1 to 2 mm, 2 to 3 mm, 3 to 4 mm, or 4 to 5 mm).

In certain embodiments, a ratio of a thickness of the posts to a thickness of the bulk volume is from 1:1 to 1:10 (e.g., from 1:1 to 1:2, 1:2 to 1:4, 1:4 to 1:6, 1:6 to 1:8, or 1:8 to 1:10).

In certain embodiments, the bulk volume has a Young's modulus from 1 GPa to 10 GPa (e.g., from 1 to 4 GPa, 4 to 7 GPa, 7 to 10 GPa).

In certain embodiments, the posts have a Young's modulus from 1 MPa to 10 MPa (e.g., from 1 to 4 MPa, 4 to 7 MPa, 7 to 10 MPa).

In certain embodiments, the posts have a first Young's modulus and the bulk volume has a second Young's modulus, greater than the first Young's modulus.

In certain embodiments, the mesa has the first Young's modulus.

In certain embodiments, the mesa has the second Young's modulus.

In certain embodiments, the bulk volume comprises a polymer having a coefficient of thermal expansion less than or equal to 14.5 ppm.

In certain embodiments, the posts occupy an area selected from 10 cm<sup>2</sup> to 260 cm<sup>2</sup> (e.g., from 10 cm<sup>2</sup> to 40 cm<sup>2</sup>, 40 cm<sup>2</sup> to 80 cm<sup>2</sup>, 120 cm<sup>2</sup> to 160 cm<sup>2</sup>, 160 cm<sup>2</sup> to 200 cm<sup>2</sup>, 200 cm<sup>2</sup> to 240 cm<sup>2</sup>, or 240 cm<sup>2</sup> to 260 cm<sup>2</sup>).

In certain embodiments, each post of the plurality of posts has at least one of a width, length, and height from 50 nanometers to 10 micrometers (e.g., 50 nm to 100 nm, 100 nm to 200 nm, 200 nm to 400 nm, 400 nm to 600 nm, 600 nm to 800 nm, 800 nm to 1 micron, 1 micron to 5 microns, or 5 microns to 10 microns).

In certain embodiments, the posts are formed in a continuous, unitary layer.

In certain embodiments, the posts comprise a polymer.

In certain embodiments, the bulk volume is Polydimethylsiloxane (PDMS).

In certain embodiments, the bulk volume and the posts are formed from a single material.

In certain embodiments, at least a portion of the posts are arranged on the first surface from 1 mm to 15 mm away from an edge of the first surface (e.g., from 1 mm to 5 mm or 5 mm to 10 mm, 10 mm to 15 mm from the edge).

In certain embodiments, the bulk volume has a side surface between the first and second surfaces, the side surface.

In certain embodiments, the side surface has a beveled and/or rounded edge.

In certain embodiments, the side surface has a rounded profile (e.g., convex or concave).

In certain embodiments, the side surface has a beveled edge forming an angle from horizontal (parallel to the first surface) of no greater than 75° (e.g., no greater than 60°, no greater than 45°, no greater than 30°, or no greater than 15°).

In another aspect, the disclosed technology includes a method of modifying a conformable transfer device to reduce crowning, the method comprising providing a transfer device comprising: a bulk volume having a first surface and a second surface, opposite the first surface, and one or more sides between the first surface and the second surface; a plurality of printing posts disposed on the first surface of the bulk volume for picking up printable material, wherein the plurality of printing posts and the bulk volume are arranged such that a force applied to the second surface of the bulk volume is transmitted to the plurality of printing posts; and cutting an edge of the first surface of the bulk substrate at a non-zero angle with respect to the first surface, thereby reducing crowning at the edge.

In certain embodiments, an aspect ratio (height to width) of each post of the plurality of posts is less than or equal to 4:1 (e.g., from 2:1 to 4:1).

In certain embodiments, each post of the plurality of printing posts comprises a contact surface on the end of the post opposite the first surface, wherein the contact surfaces of the plurality of posts are substantially in a same plane.

In certain embodiments, a thickness of plurality of printing posts is from 1 micron to 100 microns (e.g., from 1 to 5 microns, 5 to 10 microns, 10 to 15 microns, 50 to 25 microns, 25 to 40 microns, 40 to 60 microns, 60 to 80 microns, or 80 to 100 microns).

In certain embodiments, a thickness of the bulk volume is from .5 mm to 5 mm (e.g., from .5 to 1 mm, 1 to 2 mm, 2 to 3 mm, 3 to 4 mm, or 4 to 5 mm).

In certain embodiments, a ratio of a thickness of the plurality of printing posts and a thickness of the bulk volume is from 1:1 to 1:10 (e.g., from 1:1 to 1:2, 1:2 to 1:4, 1:4 to 1:6, 1:6 to 1:8, or 1:8 to 1:10).

In certain embodiments, the bulk volume has a Young's modulus from 1 GPa to 10 GPa (e.g., from 1 to 4 GPa, 4 to 7 GPa, 7 to 10 GPa).

In certain embodiments, the plurality of printing posts have a Young's modulus from 1 MPa to 10 MPa (e.g., from 1 to 4 MPa, 4 to 7 MPa, 7 to 10 MPa).

In certain embodiments, the plurality of printing posts have a first Young's modulus and the bulk volume has a second Young's modulus, greater than the first Young's modulus.

In certain embodiments, the bulk volume comprises a polymer having a coefficient of thermal expansion less than or equal to 14.5 ppm.

In certain embodiments, the plurality of printing posts occupy an area selected from 10 cm<sup>2</sup> to 260 cm<sup>2</sup> (e.g., from 10 cm<sup>2</sup> to 40 cm<sup>2</sup>, 40 cm<sup>2</sup> to 80 cm<sup>2</sup>, 120 cm<sup>2</sup> to 160 cm<sup>2</sup>, 160 cm<sup>2</sup> to 200 cm<sup>2</sup>, 200 cm<sup>2</sup> to 240 cm<sup>2</sup>, or 240 cm<sup>2</sup> to 260 cm<sup>2</sup>).

In certain embodiments, each printing post of the plurality of printing posts has at least one of a width, length, and height from 50 nanometers to 10 micrometers (e.g., 50 nm to 100 nm, 100 nm to 200 nm, 200 nm to 400 nm, 400 nm to 600 nm, 600 nm to 800 nm, 800 nm to 1 micron, 1 micron to 5 microns, or 5 microns to 10 microns).

In certain embodiments, the plurality of printing posts are formed in a continuous, unitary layer.

In certain embodiments, the plurality of printing posts comprises a polymer.

In certain embodiments, the bulk volume is Polydimethylsiloxane (PDMS).

In certain embodiments, the bulk volume and the plurality of printing posts are formed from a single material.

In certain embodiments, at least a portion of the posts are arranged on the first surface from 1 mm to 15 mm away from an edge of the first surface (e.g., from 1 mm to 5 mm or 5 mm to 10 mm, 10 mm to 15 mm from the edge).

In certain embodiments, the bulk volume has a side surface between the first and second surfaces, the side surface.

In certain embodiments, the side surface has a beveled and/or rounded edge.

In certain embodiments, the side surface has a rounded profile (e.g., convex or concave).

In certain embodiments, the side surface has a beveled edge forming an angle from horizontal (parallel to the first surface) of no greater than  $75^\circ$  (e.g., no greater than  $60^\circ$ , no greater than  $45^\circ$ , no greater than  $30^\circ$ , or no greater than  $15^\circ$ ).

In another aspect, the disclosed technology includes a conformable transfer device, the transfer device including: a bulk volume having a first surface and a second surface, opposite the first surface; and a plurality of posts disposed on the first surface of the bulk volume for picking up printable material, wherein each post comprises a base section and a top section, wherein the top section has a cross-sectional area smaller than that of the base section (e.g., less than 50%, 30%, 25%, 10% of the cross-sectional area of the base section).

In certain embodiments, each of the plurality of posts comprises a contact surface on the end of the post opposite the first surface, wherein the contact surfaces of the plurality of posts are substantially in a same plane.

In certain embodiments, a thickness of posts ranges from 1 micron to 100 microns (e.g., from 1 to 5 microns, 5 to 10 microns, 10 to 15 microns, 50 to 25 microns, 25 to 40 microns, 40 to 60 microns, 60 to 80 microns, or 80 to 100 microns).

In certain embodiments, a thickness of the bulk volume is from .5 mm to 5 mm (e.g., from .5 to 1 mm, 1 to 2 mm, 2 to 3 mm, 3 to 4 mm, or 4 to 5 mm).

In certain embodiments, a ratio of a thickness of the posts to a thickness of the bulk volume is from 1:1 to 1:10 (e.g., from 1:1 to 1:2, 1:2 to 1:4, 1:4 to 1:6, 1:6 to 1:8, or 1:8 to 1:10).

In certain embodiments, the bulk volume has a Young's modulus from 1 GPa to 10 GPa (e.g., from 1 to 4 GPa, 4 to 7 GPa, 7 to 10 GPa).

In certain embodiments, the posts have a Young's modulus from 1 MPa to 10 MPa (e.g., from 1 to 4 MPa, 4 to 7 MPa, 7 to 10 MPa).

In certain embodiments, the posts have a first Young's modulus and a base has a second Young's modulus, greater than the first Young's modulus.

In certain embodiments, the bulk volume comprises a polymer having a coefficient of thermal expansion less than or equal to 14.5 ppm.

In certain embodiments, the posts occupy an area selected from 10 cm<sup>2</sup> to 260 cm<sup>2</sup> (e.g., from 10 cm<sup>2</sup> to 40 cm<sup>2</sup>, 40 cm<sup>2</sup> to 80 cm<sup>2</sup>, 120 cm<sup>2</sup> to 160 cm<sup>2</sup>, 160 cm<sup>2</sup> to 200 cm<sup>2</sup>, 200 cm<sup>2</sup> to 240 cm<sup>2</sup>, or 240 cm<sup>2</sup> to 260 cm<sup>2</sup>).

In certain embodiments, each post of the plurality of posts has at least one of a width, length, and height from 50 nanometers to 10 micrometers (e.g., 50 nm to 100 nm, 100 nm to 200 nm, 200 nm to 400 nm, 400 nm to 600 nm, 600 nm to 800 nm, 800 nm to 1 micron, 1 micron to 5 microns, or 5 microns to 10 microns).

In certain embodiments, the posts are formed in a continuous, unitary layer.

In certain embodiments, the posts comprise a polymer.

In certain embodiments, the bulk volume is Polydimethylsiloxane (PDMS).

In certain embodiments, the bulk volume and the posts are formed from a single material.

In certain embodiments, an aspect ratio (height to width) of each post of the plurality of posts is less than or equal to 4:1 (e.g., from 2:1 to 4:1).

In certain embodiments, the bulk volume has a side surface between the first and second surfaces, the side surface.

In certain embodiments, the side surface has a beveled and/or rounded edge.

In certain embodiments, the side surface has a rounded profile (e.g., convex or concave).

In certain embodiments, the side surface has a beveled edge forming an angle from horizontal (parallel to the first surface) of no greater than  $75^\circ$  (e.g., no greater than  $60^\circ$ , no greater than  $45^\circ$ , no greater than  $30^\circ$ , or no greater than  $15^\circ$ ).

In certain embodiments, at least a portion of the posts are arranged on the first surface from 1 mm to 15 mm away from an edge of the first surface (e.g., from 1 mm to 5 mm or 5 mm to 10 mm, 10 mm to 15 mm from the edge).

In another aspect, the disclosed technology includes a conformable transfer device, the transfer device including: a bulk volume having a first surface and a second surface, opposite the first surface; a plurality of printing posts disposed on the first surface of the bulk volume for picking up printable material; a plurality of anti-sag posts disposed on the first surface of the bulk volume for preventing the first surface of the bulk volume from sagging and inadvertently picking up printable material when printable material is picked up by the plurality of printing posts, wherein the plurality of printing posts and the bulk volume are arranged such that a force applied to the second surface of the bulk volume is transmitted to the plurality of printing posts.

In certain embodiments, the plurality of printing posts and the plurality of anti-sag posts are disposed on a connecting layer positioned between the plurality of printing posts and the plurality of anti-sag posts.

In certain embodiments, the connecting layer comprises a thin metal layer.

In certain embodiments, each of the plurality of posts comprises a contact surface on the end of the post opposite the first surface, wherein the contact surfaces of the plurality of posts are substantially in a same plane.

In certain embodiments, a thickness of the printing posts is from 1 micron to 100 microns (e.g., from 1 to 5 microns, 5 to 10 microns, 10 to 15 microns, 50 to 25 microns, 25 to 40 microns, 40 to 60 microns, 60 to 80 microns, or 80 to 100 microns).

In certain embodiments, a thickness of the bulk volume is from .5 mm to 5 mm (e.g., from .5 to 1 mm, 1 to 2 mm, 2 to 3 mm, 3 to 4 mm, or 4 to 5 mm).

In certain embodiments, a ratio of a thickness of the printing posts to a thickness of the bulk volume is from 1:1 to 1:10 (e.g., from 1:1 to 1:2, 1:2 to 1:4, 1:4 to 1:6, 1:6 to 1:8, or 1:8 to 1:10).

In certain embodiments, the bulk volume has a Young's modulus from 1 GPa to 10 GPa (e.g., from 1 to 4 GPa, 4 to 7 GPa, 7 to 10 GPa).

In certain embodiments, the printing posts have a Young's modulus from 1 MPa to 10 MPa (e.g., from 1 to 4 MPa, 4 to 7 MPa, 7 to 10 MPa).

In certain embodiments, the printing posts have a first Young's modulus and the bulk volume has a second Young's modulus, greater than the first Young's modulus.

In certain embodiments, the bulk volume comprises a polymer having a coefficient of thermal expansion less than or equal to 14.5 ppm.

In certain embodiments, the printing posts occupy an area selected from 10 cm<sup>2</sup> to 260 cm<sup>2</sup> (e.g., from 10 cm<sup>2</sup> to 40 cm<sup>2</sup>, 40 cm<sup>2</sup> to 80 cm<sup>2</sup>, 120 cm<sup>2</sup> to 160 cm<sup>2</sup>, 160 cm<sup>2</sup> to 200 cm<sup>2</sup>, 200 cm<sup>2</sup> to 240 cm<sup>2</sup>, or 240 cm<sup>2</sup> to 260 cm<sup>2</sup>).

In certain embodiments, each of the printing posts has at least one of a width, length, and height from 50 nanometers to 10 micrometers (e.g., 50 nm to 100 nm, 100 nm to 200 nm, 200 nm to 400 nm, 400 nm to 600 nm, 600 nm to 800 nm, 800 nm to 1 micron, 1 micron to 5 microns, or 5 microns to 10 microns).

In certain embodiments, the printing posts are formed in a continuous, unitary layer.

In certain embodiments, the printing posts comprise a polymer.

In certain embodiments, the bulk volume is Polydimethylsiloxane (PDMS).

In certain embodiments, the bulk volume and the printing posts are formed from a single material.

In certain embodiments, the anti-sag posts are interspersed between the printing posts.

In certain embodiments, the plurality of anti-sage posts have a greater modulus than the printing posts.

In certain embodiments, an aspect ratio (height to width) of each post of the posts is less than or equal to 4:1 (e.g., from 2:1 to 4:1).

In certain embodiments, a least a portion of the posts are arranged on the first surface from 1 mm to 15 mm away from a edge of the first surface (e.g., from 1 mm to 5 mm or 5 mm to 10 mm, 10 mm to 15 mm from the edge).

In certain embodiments, the bulk volume has a side surface between the first and second surfaces, the side surface.

In certain embodiments, the side surfaces has a beveled and/or rounded edge.

In certain embodiments, the side surface has a rounded profile (e.g., convex or concave).

In certain embodiments, the side surface has a beveled edge forming an angle from horizontal (parallel to the first surface) of no greater than 75° (e.g., no greater than 60°, no greater than 45°, no greater than 30°, or no greater than 15°).

In another aspect, the disclosed technology includes a conformable transfer device, the transfer device including: a bulk volume having a first surface and a second surface, opposite the first surface; and a plurality of posts disposed on the first surface of the bulk volume for picking up printable material, wherein the plurality of posts and the bulk volume are arranged such that a force applied to the second surface of the bulk volume is transmitted to the plurality of posts, wherein a portion of the area of the first surface unoccupied by the plurality of posts comprises a roughened area (e.g., thereby anti-sagging).

In certain embodiments, the roughened area comprises a plurality of features, each feature having a width less than the width of each post and a height less than the height of each post.

In certain embodiments, the roughened area is located on the first surface between the posts.

In certain embodiments, the roughened area comprises a patterned array of features.

200. The device of any one of claims 196 to 199, wherein the roughened area comprises a random array of features.

In certain embodiments, each of the plurality of posts comprises a contact surface on the end of the post opposite the first surface, wherein the contact surfaces of the plurality of posts are substantially in a same plane.

In certain embodiments, a thickness of posts is from 1 micron to 100 microns (e.g., from 1 to 5 microns, 5 to 10 microns, 10 to 15 microns, 50 to 25 microns, 25 to 40 microns, 40 to 60 microns, 60 to 80 microns, or 80 to 100 microns).

In certain embodiments, a thickness of the bulk volume is from .5 mm to 5 mm microns (e.g., from .5 to 1 mm, 1 to 2 mm, 2 to 3 mm, 3 to 4 mm, or 4 to 5 mm).

In certain embodiments, a ratio of a thickness of the posts and a thickness of the bulk volume is from 1:1 to 1:10 (e.g., from 1:1 to 1:2, 1:2 to 1:4, 1:4 to 1:6, 1:6 to 1:8, or 1:8 to 1:10).

In certain embodiments, the bulk volume has a Young's modulus from 1 GPa to 10 GPa (e.g., from 1 to 4 GPa, 4 to 7 GPa, 7 to 10 GPa).

In certain embodiments, the posts have a Young's modulus from 1 MPa to 10 MPa (e.g., from 1 to 4 MPa, 4 to 7 MPa, 7 to 10 MPa).

In certain embodiments, the posts have a first Young's modulus and the bulk volume has a second Young's modulus, greater than the first Young's modulus.

In certain embodiments, the bulk volume comprises a polymer having a coefficient of thermal expansion less than or equal to 14.5 ppm.

In certain embodiments, the posts occupy an area selected from 10 cm<sup>2</sup> to 260 cm<sup>2</sup> (e.g., from 10 cm<sup>2</sup> to 40 cm<sup>2</sup>, 40 cm<sup>2</sup> to 80 cm<sup>2</sup>, 120 cm<sup>2</sup> to 160 cm<sup>2</sup>, 160 cm<sup>2</sup> to 200 cm<sup>2</sup>, 200 cm<sup>2</sup> to 240 cm<sup>2</sup>, or 240 cm<sup>2</sup> to 260 cm<sup>2</sup>).

In certain embodiments, each of the posts has at least one of a width, length, and height from 50 nanometers to 10 micrometers.

In certain embodiments, the posts are formed in a continuous, unitary layer.

In certain embodiments, the posts comprise a polymer.

In certain embodiments, the bulk volume is PDMS.

In certain embodiments, the bulk volume and the posts are formed from a single material.

In certain embodiments, the conformable transfer device is a visco-elastomeric stamp.

In certain embodiments, the conformable transfer device is an elastomeric stamp.

In certain embodiments, the elastomer stamp is made of Polydimethylsiloxane (PDMS).

In certain embodiments, an aspect ratio (height to width) of each post of the posts is less than or equal to 4:1 (e.g., from 2:1 to 4:1).

In certain embodiments, the posts are arranged on the first surface from 1 mm to 15 mm away from a edge of the first surface (e.g., from 1 mm to 5 mm or 5 mm to 10 mm, 10 mm to 15 mm from the edge).

In certain embodiments, the bulk volume has a side surface between the first and second surfaces, the side surface.

In certain embodiments, the side surfaces has a beveled and/or rounded edge.

In certain embodiments, the side surface has a rounded profile (e.g., convex or concave).

In certain embodiments, the side surface has a beveled edge forming an angle from horizontal (parallel to the first surface) of no greater than 75° (e.g., no greater than 60°, no greater than 45°, no greater than 30°, or no greater than 15°).

In another aspect, the disclosed technology includes a conformable transfer device, the transfer device including: a base comprising a first material; a sub-base comprising a second material and disposed on the base (e.g., wherein the sub-base has a smaller cross-sectional area than the base); a bulk volume comprising a material different from the base and the sub-base and

disposed at least partly on the sub-base (e.g., and also at least partly at the base), wherein a thickness of a portion of the bulk volume that is disposed on the sub-base is less than a thickness of the sub-base; and a plurality of posts disposed on the bulk volume, opposite and above the sub-base, for picking up printable material, wherein the plurality of posts, the base, the sub-base, and the bulk volume are arranged such that a force applied to a surface of the base opposite the sub-base is transmitted to the plurality of posts.

In certain embodiments, the first material comprises glass.

In certain embodiments, the first and second materials are the same.

In certain embodiments, the bulk volume and the plurality of posts are formed from a single material.

In certain embodiments, the bulk volume comprises a polymer.

In certain embodiments, the first material is transparent.

In certain embodiments, the second material is transparent.

In certain embodiments, each of the plurality of posts comprises a contact surface on the end of the post opposite the bulk volume, wherein the contact surfaces of the plurality of posts are substantially in a same plane.

In certain embodiments, a thickness of the posts is from 1 micron to 100 microns (e.g., from 1 to 5 microns, 5 to 10 microns, 10 to 15 microns, 50 to 25 microns, 25 to 40 microns, 40 to 60 microns, 60 to 80 microns, or 80 to 100 microns).

In certain embodiments, a thickness of the bulk volume is from .5 mm to 5 mm (e.g., from .5 to 1 mm, 1 to 2 mm, 2 to 3 mm, 3 to 4 mm, or 4 to 5 mm).

In certain embodiments, a ratio of a thickness of the posts to a thickness of the bulk volume is from 1:1 to 1:10 (e.g., from 1:1 to 1:2, 1:2 to 1:4, 1:4 to 1:6, 1:6 to 1:8, or 1:8 to 1:10).

In certain embodiments, the bulk volume has a Young's modulus from 1 GPa to 10 GPa (e.g., from 1 to 4 GPa, 4 to 7 GPa, 7 to 10 GPa).

In certain embodiments, the posts have a Young's modulus from 1 MPa to 10 MPa (e.g., from 1 to 4 MPa, 4 to 7 MPa, 7 to 10 MPa).

In certain embodiments, the posts have a first Young's modulus and the base has a second Young's modulus, greater than the first Young's modulus.

In certain embodiments, the bulk volume comprises a polymer having a coefficient of thermal expansion less than or equal to 14.5 ppm.

In certain embodiments, the posts occupy an area selected from 10 cm<sup>2</sup> to 260 cm<sup>2</sup> (e.g., from 10 cm<sup>2</sup> to 40 cm<sup>2</sup>, 40 cm<sup>2</sup> to 80 cm<sup>2</sup>, 120 cm<sup>2</sup> to 160 cm<sup>2</sup>, 160 cm<sup>2</sup> to 200 cm<sup>2</sup>, 200 cm<sup>2</sup> to 240 cm<sup>2</sup>, or 240 cm<sup>2</sup> to 260 cm<sup>2</sup>).

In certain embodiments, each post of the plurality of posts has at least one of a width, length, and height from 50 nanometers to 10 micrometers (e.g., 50 nm to 100 nm, 100 nm to 200 nm, 200 nm to 400 nm, 400 nm to 600 nm, 600 nm to 800 nm, 800 nm to 1 micron, 1 micron to 5 microns, or 5 microns to 10 microns).

In certain embodiments, the posts are formed in a continuous, unitary layer.

In certain embodiments, the posts comprise a polymer.

In certain embodiments, the bulk volume is Polydimethylsiloxane (PDMS).

In certain embodiments, the bulk volume has a greater modulus than the posts.

In certain embodiments, an aspect ratio (height to width) of each post of the posts is less than or equal to 4:1 (e.g., from 2:1 to 4:1).

In certain embodiments, at least a portion of the posts are arranged on the first surface from 1 mm to 15 mm away from an edge of the first surface (e.g., from 1 mm to 5 mm or 5 mm to 10 mm, 10 mm to 15 mm from the edge).

In certain embodiments, the bulk volume has a side surface between the first and second surfaces, the side surface.

In certain embodiments, the side surface has a beveled and/or rounded edge.

In certain embodiments, the side surface has a rounded profile (e.g., convex or concave).

In certain embodiments, the side surface has a beveled edge forming an angle from horizontal (parallel to the first surface) of no greater than  $75^\circ$  (e.g., no greater than  $60^\circ$ , no greater than  $45^\circ$ , no greater than  $30^\circ$ , or no greater than  $15^\circ$ ).

In another aspect, the disclosed technology includes a conformable transfer device, the transfer device including: a bulk volume having a first surface and a second surface, opposite the first surface, wherein the bulk volume has a first composition; a plurality of posts disposed on the first surface of the bulk volume for picking up printable material, wherein the plurality of posts, and the bulk volume are arranged so that a force applied to the second surface of the base by the base is transmitted to the plurality of posts, wherein at least a part of (e.g., all of each post or a top portion of each post) each post has a second composition different from the first composition.

In certain embodiments, at least a part of each post has the second composition.

In certain embodiments, a bottom portion of each post closest to the bulk volume has the second composition.

In certain embodiments, the first composition comprises a polymer.

In certain embodiments, the second composition comprises a polymer.

In certain embodiments, the first composition comprises a hardener.

In certain embodiments, the second composition comprises a hardener.

In certain embodiments, the base is glass.

In certain embodiments, each post of the plurality of posts comprises a contact surface on the end of the post opposite the first surface, wherein the contact surfaces of the plurality of posts are in substantially a same plane.

In certain embodiments, a thickness of the posts is from 1 micron to 100 microns (e.g., from 1 to 5 microns, 5 to 10 microns, 10 to 15 microns, 50 to 25 microns, 25 to 40 microns, 40 to 60 microns, 60 to 80 microns, or 80 to 100 microns).

In certain embodiments, a thickness of the bulk volume is from .5 mm to 5 mm (e.g., from .5 to 1 mm, 1 to 2 mm, 2 to 3 mm, 3 to 4 mm, or 4 to 5 mm).

In certain embodiments, a ratio of a thickness of the posts and a thickness of the bulk volume is from 1:1 to 1:10 (e.g., from 1:1 to 1:2, 1:2 to 1:4, 1:4 to 1:6, 1:6 to 1:8, or 1:8 to 1:10).

In certain embodiments, the bulk volume has a Young's modulus from 1 GPa to 10 GPa (e.g., from 1 to 4 GPa, 4 to 7 GPa, 7 to 10 GPa).

In certain embodiments, the posts have a Young's modulus from 1 MPa to 10 MPa (e.g., from 1 to 4 MPa, 4 to 7 MPa, 7 to 10 MPa).

In certain embodiments, the posts have a first Young's modulus and the base has a second Young's modulus, greater than the first Young's modulus.

In certain embodiments, the bulk volume comprises a polymer having a coefficient of thermal expansion less than or equal to 14.5 ppm.

In certain embodiments, the posts occupy an area selected from 10 cm<sup>2</sup> to 260 cm<sup>2</sup> (e.g., from 10 cm<sup>2</sup> to 40 cm<sup>2</sup>, 40 cm<sup>2</sup> to 80 cm<sup>2</sup>, 120 cm<sup>2</sup> to 160 cm<sup>2</sup>, 160 cm<sup>2</sup> to 200 cm<sup>2</sup>, 200 cm<sup>2</sup> to 240 cm<sup>2</sup>, or 240 cm<sup>2</sup> to 260 cm<sup>2</sup>).

In certain embodiments, each post of the plurality of posts has at least one of a width, length, and height from 50 nanometers to 10 micrometers (e.g., 50 nm to 100 nm, 100 nm to 200 nm, 200 nm to 400 nm, 400 nm to 600 nm, 600 nm to 800 nm, 800 nm to 1 micron, 1 micron to 5 microns, or 5 microns to 10 microns).

In certain embodiments, the posts are formed in a continuous, unitary layer.

In certain embodiments, an aspect ratio (height to width) of each post of the plurality of posts is less than or equal to 4:1 (e.g., from 2:1 to 4:1).

In certain embodiments, at least a portion of the posts are arranged on the first surface from 1 mm to 15 mm away from an edge of the first surface (e.g., from 1 mm to 5 mm or 5 mm to 10 mm, 10 mm to 15 mm from the edge).

In certain embodiments, the bulk volume has a side surface between the first and second surfaces, the side surface.

In certain embodiments, the side surface has a beveled and/or rounded edge.

In certain embodiments, the side surface has a rounded profile (e.g., convex or concave).

In certain embodiments, the side surface has a beveled edge forming an angle from horizontal (parallel to the first surface) of no greater than 75° (e.g., no greater than 60°, no greater than 45°, no greater than 30°, or no greater than 15°).

### BRIEF DESCRIPTION OF THE FIGURES

The foregoing and other objects, aspects, features, and advantages of the present disclosure will become more apparent and better understood by referring to the following description taken in conjunction with the accompanying drawings.

FIGS. 1A through 1C are illustrations of heat-assisted micro-transfer-printing with photoresist encapsulation.

FIGS. 2A and 2B are illustrations of heat-assisted printing of semiconductor elements onto a destination, non-native substrate having topographic features.

FIG. 3A is an SEM image of example semiconductor elements printed on a non-native substrate.

FIG. 3B is an SEM image of example semiconductor elements printed on a non-native substrate having topographic features.

FIG. 4 is an example diagram illustrating the application of plasma to a contact surface of the semiconductor elements.

FIG. 5A is an example diagram illustrating the application of plasma to the contact surface of the semiconductor elements.

FIG. 5B is an illustration of metal-to-metal joining of the semiconductor devices to the destination substrate after applying plasma to the contact surface of the semiconductor elements.

FIG. 6 is an example diagram illustrating application of plasma to the contact surface of the semiconductor devices.

FIGS. 7A through 7D are examples of shapes of outputs of the plasma source.

FIG. 8A through 8C are illustrations printing semiconductor elements to a destination substrate with a flux layer thereon.

FIGS. 9A through 9C illustrate a typical method of picking up semiconductor elements.

FIGS. 10A and 10B illustrate an example of gravity-assisted separation of the semiconductor elements from the native substrate.

FIGS. 11A and 11B are diagrams illustrating another example of gravity-assisted separation of the semiconductor elements from the native substrate.

FIG. 12 is a diagram of an example transfer device with an array of posts.

FIGS. 13A and 13B are illustrations of a typical transfer device and sag occurring during compression.

FIGS. 14A and 14B are illustrations of a multi-tiered stamp.

FIG. 15 is an illustration of a multi-tiered stamp.

FIG. 16 is an illustration of a casting for forming a transfer device with multi-layer posts.

FIGS. 17A through 17C are SEM images of multi-layer posts configured in an array.

FIGS. 18 and 19 are diagrams of examples of the anti-sag features.

FIGS. 20A and 20B are diagrams that illustrate roughened areas incorporated on the transfer device between posts.

FIGS. 21A and 21B are illustrations of example composite transfer devices.

FIG. 22 is an illustration of crowning at the edge of the bulk material (e.g., PDMS layer) of a stamp.

FIG. 23 is an illustration of crowning occurring on a piece of elastomer.

FIG. 24 is an illustration of an example transfer device with significant crowning.

FIG. 25 is an illustration of an example transfer device made with multiple components to reduce crowning.

FIG. 26 is an illustration of an example transfer device with reduced crowning.

FIG. 27 is an illustration of an example transfer device with reduced crowning.

FIGS. 28A and 28B are illustrations of an example transfer device with a mesa and an array of posts on the mesa.

FIG. 29 is an illustration of an example transfer device with reduced crowning.

FIGS. 30A through 30B are illustrations of a method of reducing the crowning on a transfer device.

FIGS. 31A through 31G illustration example sidewall profiles for use with a transfer device.

FIG. 32 is a plot of the crowning height from the top surface of the elastomer as a function of the lateral position coordinate on the top surface of the elastomer sidewall for each of the sidewall profiles shown in FIGS. 31A through 31G.

FIG. 33 is a plot of the crown height produced during formation of transfer devices with the sidewall profiles shown in FIGS. 31A through 31G.

The features and advantages of the present disclosure will become more apparent from the detailed description set forth below when taken in conjunction with the drawings, in which like reference characters identify corresponding elements throughout. In the drawings, like reference numbers generally indicate identical, functionally similar, and/or structurally similar elements.

#### **DETAILED DESCRIPTION OF THE INVENTION**

As used herein the expression “semiconductor element” and “semiconductor structure” are used synonymously and broadly refer to a semiconductor material, structure, device, or component of a device. Semiconductor elements include high-quality single crystalline and

polycrystalline semiconductors, semiconductor materials fabricated via high-temperature processing, doped semiconductor materials, organic and inorganic semiconductors, and composite semiconductor materials and structures having one or more additional semiconductor components or non-semiconductor components, such as dielectric layers or materials or conducting layers or materials. Semiconductor elements include semiconductor devices and device components including, but not limited to, transistors, photovoltaics including solar cells, diodes, light-emitting diodes, lasers, p-n junctions, photodiodes, integrated circuits, and sensors. In addition, semiconductor element can refer to a part or portion that forms a functional semiconductor device or product.

“Semiconductor” refers to any material that is a material that is an insulator at a very low temperature, but which has an appreciable electrical conductivity at temperatures of about 300 Kelvin. The electrical characteristics of a semiconductor can be modified by the addition of impurities or dopants and controlled by the use of electrical fields. In the present description, use of the term semiconductor is intended to be consistent with use of this term in the art of microelectronics and electronic devices. Semiconductors useful in the present invention can include elemental semiconductors, such as silicon, germanium and diamond, and compound semiconductors, for example group IV compound semiconductors such as SiC and SiGe, group III-V semiconductors such as AlSb, AlAs, Aln, AlP, BN, GaSb, GaAs, GaN, GaP, InSb, InAs, InN, and InP, group III-V ternary semiconductor alloys such as  $Al_xGa_{1-x}As$ , group II-VI semiconductors such as CsSe, CdS, CdTe, ZnO, ZnSe, ZnS, and ZnTe, group I-VII semiconductors CuCl, group IV-VI semiconductors such as PbS, PbTe and SnS, layer semiconductors such as  $PbI_2$ ,  $MoS_2$  and GaSe, oxide semiconductors such as CuO and  $Cu_2O$ . The term semiconductor includes intrinsic semiconductors and extrinsic semiconductors that are

doped with one or more selected materials, including semiconductor having p-type doping materials and n-type doping materials, to provide beneficial electronic properties useful for a given application or device. The term semiconductor includes composite materials comprising a mixture of semiconductors or dopants. Specific semiconductor materials useful for in some applications of the present invention include, but are not limited to, Si, Ge, SiC, AlP, AlAs, AlSb, GaN, GaP, GaAs, GaSb, InP, InAs, GaSb, InP, InAs, InSb, ZnO, ZnSe, ZnTe, CdS, CdSe, ZnSe, ZnTe, CdS, CdSe, CdTe, HgS, PbS, PbSe, PbTe, AlGaAs, AlInAs, AlInP, GaAsP, GaInAs, GaInP, AlGaAsSb, AlGaInP, and GaInAsP. Porous silicon semiconductor materials are useful for applications of the present invention in the field of sensors and light-emitting materials, such as light-emitting diodes (LEDs) and solid-state lasers. Impurities of semiconductor materials are atoms, elements, ions or molecules other than the semiconductor material(s) themselves or any dopants provided in the semiconductor material. Impurities are undesirable materials present in semiconductor materials that can negatively impact the electronic properties of semiconductor materials, and include but are not limited to oxygen, carbon, and metals including heavy metals. Heavy-metal impurities include, but are not limited to, the group of elements between copper and lead on the periodic table, calcium, sodium, and all ions, compounds and/or complexes thereof.

“Substrate” refers to a structure or material on which, or in which, a process is (or has been) conducted, such as patterning, assembly or integration of semiconductor elements.

Substrates include, but are not limited to: (i) a structure upon which semiconductor elements are fabricated, deposited, transferred or supported (also referred to as a native substrate); (ii) a device substrate, for example an electronic device substrate; (iii) a donor substrate having elements, such as semiconductor elements, for subsequent transfer, assembly or integration; and (iv) a

target substrate for receiving printable structures, such as semiconductor elements. A donor substrate can be, but is not necessarily, a native substrate.

“Destination substrate” as used herein refers to the target substrate (also referred to as a non-native substrate) for receiving printable structures, such as semiconductor elements. Examples of display substrate materials include polymer, plastic, resin, polyimide, polyethylene naphthalate, polyethylene terephthalate, metal, metal foil, glass, flexible glass, a semiconductor, and sapphire.

“Printable” relates to materials, structures, device components, or integrated functional devices that are capable of transfer, assembly, patterning, organizing, or integrating onto or into substrates without exposure of the substrate to high temperatures (e.g. at temperatures less than or equal to about 400, 200, or 150 degrees Celsius). In one embodiment of the present invention, printable materials, elements, device components, or devices are capable of transfer, assembly, patterning, organizing or integrating onto or into substrates via solution printing, micro-transfer printing, or dry transfer contact printing.

“Printable semiconductor elements” of the present invention comprise semiconductor structures that can be assembled or integrated onto substrate surfaces, for example by using dry transfer contact printing, micro-transfer printing, or solution printing methods. In one embodiment, printable semiconductor elements of the present invention are unitary single crystalline, polycrystalline or microcrystalline inorganic semiconductor structures. In the context of this description, a unitary structure is a monolithic element having features that are mechanically connected. Semiconductor elements of the present invention can be undoped or doped, can have a selected spatial distribution of dopants, or can be doped with a plurality of different dopant materials, including p- and n-type dopants. The present invention includes

microstructured printable semiconductor elements having at least one cross-sectional dimension greater than or equal to about 1 micron and nanostructured printable semiconductor elements having at least one cross-sectional dimension less than or equal to about 1 micron. Printable semiconductor elements useful in many applications comprise elements derived from “top down” processing of high-purity bulk materials, such as high-purity crystalline semiconductor wafers generated using conventional high-temperature processing techniques. In one embodiment, printable semiconductor elements of the present invention comprise composite structures having a semiconductor operationally connected to at least one additional device component or structure, such as a conducting layer, dielectric layer, electrode, additional semiconductor structure, or any combination of these. In one embodiment, printable semiconductor elements of the present invention comprise stretchable semiconductor elements or heterogeneous semiconductor elements.

“Plastic” refers to any synthetic or naturally occurring material or combination of materials that can be molded or shaped, generally when heated, and hardened into a desired shape. Exemplary plastics useful in the devices and methods of the present invention include, but are not limited to, polymers, resins and cellulose derivatives. In the present description, the term plastic is intended to include composite plastic materials comprising one or more plastics with one or more additives, such as structural enhancers, fillers, fibers, plasticizers, stabilizers or additives which can provide desired chemical or physical properties.

“Dielectric” and “dielectric material” are used synonymously in the present description and refer to a substance that is highly resistant to flow of electric current and can be polarized by an applied electric field. Useful dielectric materials include, but are not limited to, SiO<sub>2</sub>, Ta<sub>2</sub>O<sub>5</sub>, TiO<sub>2</sub>, ZrO<sub>2</sub>, Y<sub>2</sub>O<sub>3</sub>, SiN<sub>4</sub>, STO, BST, PLZT, PMN, and PZT.

“Polymer” refers to a molecule comprising a plurality of repeating chemical groups, typically referred to as monomers. Polymers are often characterized by high molecular masses. Polymers useable in the present invention can be organic polymers or inorganic polymers and can be in amorphous, semi-amorphous, crystalline or partially crystalline states. Polymers can comprise monomers having the same chemical composition or can comprise a plurality of monomers having different chemical compositions, such as a copolymer. Cross-linked polymers having linked monomer chains are particularly useful for some applications of the present invention. Polymers useable in the methods, devices and device components of the present invention include, but are not limited to, plastics, elastomers, thermoplastic elastomers, elastoplastics, thermostats, thermoplastics and acrylates. Exemplary polymers include, but are not limited to, acetal polymers, biodegradable polymers, cellulosic polymers, fluoropolymers, nylons, polyacrylonitrile polymers, polyamide-imide polymers, polyimides, polyarylates, polybenzimidazole, polybutylene, polycarbonate, polyesters, polyetherimide, polyethylene, polyethylene copolymers and modified polyethylenes, polyketones, poly(methyl methacrylate, polymethylpentene, polyphenylene oxides and polyphenylene sulfides, polyphthalamide, polypropylene, polyurethanes, styrenic resins, sulphone based resins, vinyl-based resins or any combinations of these.

“Micro-transfer printing” as used herein refers to systems, methods, and techniques for the deterministic assembly of micro- and nano-materials, devices, and semiconductor elements into spatially organized, functional arrangements with two-dimensional and three-dimensional layouts. It is often difficult to pick up and place ultra-thin or small devices, however, micro-transfer printing permits the selection and application of these ultra-thin, fragile, or small devices, such as micro-LEDs, without causing damage to the devices themselves.

Microstructured stamps (e.g., elastomeric, electrostatic stamps, or hybrid elastomeric/electrostatic stamps) can be used to pick up micro devices, transport the micro devices to a destination substrate, and print the micro devices onto the destination substrate. In some embodiments, surface adhesion forces are used to control the selection and printing of these devices onto the destination substrate. This process can be performed massively in parallel. The stamps can be designed to transfer a single device or hundreds to thousands of discrete structures in a single pick-up-and-print operation. For a discussion of micro-transfer printing generally, see U.S. Patent Nos. 7,622,367 and 8,506,867, each of which is hereby incorporated by reference in its entirety.

*Heat-Assisted Micro-Transfer-Printing to Adhesiveless Surfaces and Topographic Surfaces*

FIGS. 1A through 1C are illustrations of heat-assisted micro-transfer-printing. The transfer device 102 (e.g., conformable transfer device, such as an elastomer or visco-elastomer stamp (e.g., polydimethylsiloxane (PDMS) stamp)) includes an array of posts 114 for (i) picking up printable semiconductor elements 104 from a native substrate 108 (e.g., native to the printable semiconductor elements 104 and used to fabricate the printable semiconductor elements 104) and (ii) transferring the printable semiconductor elements 104 to a non-native, destination substrate 110. In certain embodiments, the printable semiconductor elements 104 are encapsulated in a polymer layer 106 (e.g., photoresist) before they are picked up.

In certain embodiments, the printable semiconductor elements 104 are fabricated on, or from, a bulk semiconductor substrate. In such embodiments, the non-native, destination substrate 110 is made of either (i) a non-semiconductor and/or non-metallic material (e.g., with conductive interconnectivity fabricated thereon) or (ii) one or more semiconductor material of different types from the destination substrate. Examples of non-native substrate 110 include, but

not limited to, glass, sapphire, plastics, metals and/or other semiconductors. Examples of native substrate 108 include, but not limited to, inorganic semiconductor material such as single crystalline silicon wafers, silicon on insulator wafers, polycrystalline silicon wafers, GaAs wafers, Si (1 1 1), InAlP, InP, GaAs, InGaAs, AlGaAs, GaSb, GaAlSb, AlSb, InSb, InGaAlSbAs, InAlSb, and InGaP.

FIG. 1A illustrates the transfer device 102 after having picked up the printable semiconductor elements 104 from the native substrate 108, but before depositing the printable semiconductor elements 104 on the destination substrate 110. In certain embodiments, the printable semiconductor elements 104 are fabricated on the native substrate 108 and then coated with the polymer layer 106 prior to the transfer device 102 picking up the printable semiconductor elements 104 from the native substrate 108. In certain embodiments, the polymer 106 is on a top surface and sides of the printable semiconductor element 104. In certain embodiments, the polymer 106 is co-planar with the bottom of the printable semiconductor element 104 such that both the polymer 106 and the bottom of the printable semiconductor element 104 contact the destination substrate 110 during printing as shown in FIG. 1B.

In certain embodiments, prior to the printable semiconductor elements 104 being picked up from the native substrate 108, the polymer layer 106 serves as an anchor or tether for the printable semiconductor element 104 in that the layer 106 encapsulates the printable semiconductor elements 104 to maintain the printable semiconductor element 104 on the native substrate 108. Example details of anchoring are described in U.S. Patent Application No. 14/743,988, filed June 18, 2015 and entitled Systems and Methods for Controlling Release of Transferable Semiconductor Structures, which is incorporated by reference herein in its entirety. In certain embodiments, the polymer layer 106 is a photoresist.

FIG. 1B illustrates the transfer device 102 transferring the printable semiconductor elements 104 to the destination substrate 110. During the transfer (e.g., printing process), the polymer layer 106, in certain embodiments, is situated between the transfer device 102 and the printable semiconductor elements 104 and serves as the interface for separation between the transfer device 102 and the destination substrate 110 when the printable semiconductor elements 104 are picked up by the transfer device 102. In certain embodiments, the polymer layers 106 increase adhesion to the transfer device 102 during the pick-up of the printable semiconductor elements 104 by the transfer device 102. In certain embodiments, subsequent to the separation of the transfer device 102 from the destination substrate 110, the polymer layer 106 is subsequently removed thereby leaving behind the transferred printable semiconductor elements 104 on the destination substrate 110.

In certain embodiments, the transfer device 102 places the printable semiconductor elements 104 and polymer layers 106 on the surface of the destination substrate 110 and remains in that placement position for a pre-defined time to allow the polymer layer 106 to flow, thereby separating from, or having a reduced adhesion with, the transfer device 102. After contacting the polymer 106 and the bottom of the printable semiconductor element 104 to the destination substrate 110, the polymer 106 can be heated (directly or indirectly). For example, in certain embodiments, a hot plate 112 is used to heat the destination substrate 110. The hot plate 112, in certain embodiments, is in direct thermal contact with the destination substrate 110. The destination substrate 110 may be heated to an equilibrium temperature prior to the printable semiconductor elements 104 being transferred to the substrate 110. This equilibrium temperature, for example, may be sufficient to cause the polymer layer 106 to reflow (e.g., heat from the heating element reduces the viscosity of the polymer layer 106 or causes the polymer

layer 106 to flow during said contact) thereby reducing the adhesion forces between the transfer device 102 and the polymer layer 106. In certain embodiments, a non-contact thermal source is employed from a source that does not make direct physical contact with the destination substrate 110.

In certain embodiments, heating the polymer 106 facilitates printing. When a printable semiconductor element 104 is embedded in polymer 106 as shown in FIGS. 1A and 1B and the polymer 206 is heated, the polymer can flow, thereby facilitating printing (i.e., release of the printable semiconductor element 104 from the transfer device 102). In certain embodiments, heat also causes the transfer device 102 itself (e.g., a viscoelastic transfer device, such as PDMS transfer device) to expand more than the chip (due to CTE), thereby leading to shear forces between the printable semiconductor element 104 and the transfer device 102 that facilitate printing.

FIG. 1C illustrates a micro-transfer-printed semiconductor elements 104 on a destination, non-native substrate 110 after the polymer layers 106 have been removed. For example, after printing, plasma ashing may be performed to remove the polymer layers 106, thereby leaving behind the semiconductor elements 104 printed on the destination substrate 110.

In certain embodiments, the destination substrate 110 includes topographic features 202 on the surface 204 of the destination substrate 110 to contact with the printable semiconductor elements 104 and the polymer layers 106. FIGS. 2A and 2B illustrate a heat-assisted micro-transfer transfer device 102 for printing semiconductor elements 104 onto a surface 204 of a destination, non-native substrate 110 having topographic features 202. In certain embodiments, the topographic features are grooves, v-shaped channels, trenches, mesas, or canals. The topographic features may have varying depths and varying cross-sectional areas. FIG. 2A shows

the transfer device 102 placing the printable semiconductor elements 104 with polymer layers 106 on the topographic features 202 of the destination substrate 110. FIG. 2B shows the printable semiconductor elements 104 situated on the topographic features 202 of the destination substrate 110 after the polymer layers 106 has been removed as explained in relation to FIGS. 1A through 1C above. In certain embodiments, it is difficult to print to topographic surfaces 202 because less surface area on the bottom of the printable semiconductor elements 104 contacts the destination substrate 110 due to the topographic surface 202. The use of the polymer layer 106 as described herein is beneficial when, among other things, printing to destination substrates 110 with topographic surfaces 202, as it reduces adhesion between the transfer devices and the polymer layer itself. Thus, the semiconductor elements 104 can be printed even though less of the surface of the destination substrate 110 contacts the semiconductor elements 104 during printing.

FIG. 3A is an SEM image of example semiconductor devices 304 printed on a non-native substrate 310. In the example, the devices 304 are InP devices fabricated from an InP substrate. The non-native substrate 310 is made of Si. In certain embodiments, a removal layer made of, for example, InGaAs, is employed between the InP device 304 and the InP bulk substrate to allow, or assist, in the separation of the device 304 from the native substrate.

FIG. 3B is a SEM image of an example semiconductor device 304 printed on a non-native substrate 310 with topographic features 302. As shown, an InP device 304 is printed on the surface of a Si destination substrate 310. In this example, the topographic features 302 include U-shaped channels formed on the surface of the destination substrate 310.

#### *Plasma Treatment During Micro-Transfer-Printing*

FIG. 4 is an example diagram illustrating plasma 402 being applied to the contact surface 404 of the semiconductor elements 104 to be printed to the destination substrate 110. In certain embodiments, plasma 402 is applied to the contact surface 404 of the semiconductor elements 104 to be printed to the destination substrate 110 while the semiconductor elements 104 are on the transfer device 102. For example, plasma 402 can be applied to bottom surfaces 404 of devices that are attached to an elastomer transfer device 102.

The plasma 402 treats the contact surface 404 of the semiconductor elements 104 to improve bonding between the semiconductor elements 104 and the destination substrate 110. In certain embodiments, the plasma 402 is used to clean the bottom surface 404 of devices that have been fabricated using some method of epitaxial lift-off. For example, the plasma 402 cleans the contact surface 404 of semiconductor elements 104 of an oxide layer formed at the contact surface 404. Removal of thin layers of oxides from the contact surfaces 404 can be improved by adding a reducing gas (forming gas, ammonia, formic acid, etc.) to the plasma 402. Semiconductor elements 104 that have been fabricated using certain methods of epitaxial lift-off, for example, may form oxide layers at surfaces that are exposed to an oxidizer (such as air). The plasma 402 is of sufficient temperature to remove the thin layer of oxides from the contact surface of the printable semiconductor element 104 with the destination substrate 110. In certain embodiments, a reducing gas (e.g., forming gas, ammonia, formic acid, etc.) is added into the plasma.

The plasma 402 can be applied to the semiconductor elements 104 in a manner in which the semiconductor elements 104 on the transfer device 102 are un-distributed (i.e., do not fall off the stamp) while the treatment is performed. Specifically, the plasma 402 is applied to the populated transfer device 102 in a manner to not cause a given printable semiconductor element

104 to fall off the transfer device 102. For example, in certain embodiments in which the transfer device 102 has a high coefficient of thermal expansion (CTE), the temperature of the transfer device 102 is maintained below a level that would cause shearing and delamination of the semiconductor elements 104 from the transfer device 102. In this instance, once the semiconductor elements 104 are on the transfer device 102, an uncontrolled release is undesired. Any heating of the stamp causes the transfer device 102 to effectively grow (e.g., expand). In some instances, the transfer device 102 grows more than the printable semiconductor element 104. This can lead to shear forces between the printable semiconductor element 104 and the transfer device 102 that causes the semiconductor elements 104 “drop” off the transfer device 102. However, in this instance, when the plasma 402 is applied to the populated transfer device 102, the shear forces and release of the printable semiconductor element 104 is undesired. A number of techniques can be used to maintain the temperature of the transfer device 102 below a level that would cause shearing and delamination of the semiconductor elements 104 from the transfer device 102. In certain embodiments, the duty cycle of the plasma output, the residence time (e.g., scan speeds of .5 to 5 mm/sec, .5 to 1 mm/sec, 1 to 2 mm/sec, 2 to 5 mm/sec), the power of the plasma 402 (e.g., 25-150 Watts or 80-100 Watts), and the distance (e.g., .5 to 5 mm, .5 to 1 mm, 1 to 2 mm, 2 to 5 mm) between the plasma 402 to the backside surface of the semiconductor elements 104 can be modulated to maintain the temperature of the transfer device 102 below the desired level (e.g., below 50, 75, or 100 degrees centigrade; e.g., below 50 degrees centigrade with short peaks above 100 degrees centigrade). For example, in certain embodiments, the power of the plasma is 80 to 100 Watts, the distance to the chip is .5 to 1 mm (e.g., 1 mm), and the scan speed is .5 to 1 mm/sec. This maintains the stamp at a desired temperature, such as below 50 degrees C with short peaks above 100 degrees C. In certain

embodiments, room temperature plasma 402 is used to keep the temperature of the transfer device 102 low enough to avoid this type of failure mode (chips falling from the chip).

FIG. 5A is an example diagram illustrating plasma 402 being applied to the contact surface 404 of the semiconductor elements 104 to be printed to the destination substrate 110. In certain embodiments, the semiconductor elements 104 have a backside metal 504, the plasma 402 can be used to remove oxides from the surface of the metal 504. This improves metal-to-metal joining of the backside metal 504 on the semiconductor elements 104 to the metal 506 on the destination substrate 110 as shown in FIG. 5B. Examples of metal-to-metal materials for the metal 504 on the devices and the metal 506 on the destination substrate 110 include, but are not limited to, Cu-Cu, CuSn-Cu, Cu-Sn-Sn-Cu, and Au-Au.

FIG. 6 is an example photomicrograph illustrating the application of plasma 402 to the contact surface of the semiconductor devices.

FIGS. 7A through 7D are examples output shapes of the plasma source. The shapes of the plasma outputs are shown as, but not limited to, a point source, a beam source, a narrow circular source, and a wide source.

FIG. 8A through 8C are illustrations of printing semiconductor elements 104 having a metal layer-metal connection 808 on a destination substrate 110. In certain embodiments, semiconductor elements 104 have a backside metal 802. The semiconductor elements 104 can be printed to a destination substrate 110 with mating metal pads 808 that have been coated with a flux 806 before printing the semiconductor elements 104. The flux 806 can coat only the metal pads 808, the entire surface of the destination substrate 110 with the metal pads 808 thereon, or a portion (including the metal pads 808) of the destination substrate 110 with the metal pads 808 thereon.

FIG. 8A is an illustration of a transfer device 102 with semiconductor elements 104 having a metal layer 802 disposed on the bottom of the semiconductor elements 104. FIG. 8B is an illustration of semiconductor elements 104 printed to a destination substrate 110. The semiconductor elements 104 are printed onto metal pads 808 with flux 806 thereon. The flux layer 806 is employed between the metal layer 802 of the semiconductor elements 104 and the metal pads 808 on the destination substrate 110. The removal of the flux reduces metal oxides on the metal pads 808, thereby leading to good joining or bonding between metals. In certain embodiments, the flux 806 is a resin. In certain embodiments, the flux 806 is a no-clean flux or water-soluble flux. For example, in certain embodiments, the flux 806 can be removed using water (e.g., a heated water rinse).

In certain embodiments, the flux is an adhesive layer that contains reducing agents for removal of oxides. After the semiconductor elements 104 are printed, the flux 806 can be reflowed thereby creating a good metal connection between metal pads 808 on the destination substrate 110 and the backside metal 802 of the semiconductor elements 104.

A heating chamber or heating environment can be used to thermally treat the printable semiconductor element 104 and the destination substrate 110. The treatment causes the flux layer 804 to re-flow thereby allowing the metal layer 802 to contact the metal contact pads 808 as shown in FIG. 8C.

#### *Micro-Transfer-Printing with High Acceleration During Device Pickup*

FIGS. 9A through 9C illustrate a typical method of picking up semiconductor elements 104. As shown in FIG. 9A, the devices 904 are formed on their native substrate 108. In this example, the transfer device 102 is brought into contact with the semiconductor elements 104 as shown in FIG. 9B. The transfer device is then moved away (in an upward direction 902) from

the source substrate 108, thereby temporarily adhering the semiconductor elements 104 to the transfer device 102 as shown in FIG. 9C.

The methods described in relation to FIGS. 10A-B and FIGS. 11A-B can be used to increase (e.g., by 1 or more g) the initial acceleration (e.g., to 5 to 100 g), thereby achieving higher velocities during the pick up process. The velocity at separation occurs at very small travel distances (e.g., tens of microns or less) dependent on the compression of the transfer device 102 at lamination. Higher acceleration can create higher separation velocities at small distances that in turn increases the adhesion between the stamp and the source.

In certain embodiments, such as the transfer printing of an elastic stamp material, the transfer device 102 employs high-velocity separation between transfer device 102 and the source of the printable elements (e.g., semiconductor elements 104 and native substrate 108). It was found that higher acceleration can create higher separation velocities over a smaller distance and thus can increase the adhesion between the transfer device 102 and the printable element (e.g., the printable semiconductor element 104). To employ gravity to assist in the separation, in certain embodiments, the source substrate 108 is configured to move in a downward direction to provide an additional 1 g of acceleration during the separation process.

In certain embodiments, the transfer device 102 is configured to accelerate the source of the printable elements (e.g., the semiconductor elements 104 and native substrate 108) with an initial acceleration between 5 and 100 g. The initial acceleration allows the transfer device 102 to achieve a higher velocity of the semiconductor elements 104 when being picked up by the transfer device 102. The adhesion between a given transfer device 102 and a given printable element (e.g., the semiconductor elements 104) varies according to the speed of the separation between the transfer device 102 and the native substrate 108 due to the viscoelastic nature of the

transfer device. To this end, when the transfer device 102 and the printable semiconductor element 104 are moved away at a sufficient speed, the adhesion at the bond interface between the transfer device 102 and the printable semiconductor element 104 is sufficiently large to “pick up” the printable element (e.g., printable semiconductor element 104) away from its native substrate 108. Conversely, when the transfer device 102 is moved at a slower speed, the adhesion at the bond interface between the transfer device 102 and the printable semiconductor element 104 is low enough to “let go” or “print” the printable semiconductor element 104 onto the non-native, destination substrate 110.

In certain embodiments, the separate occurs over a travel distance of (tens of microns or less). The separation distance may be a function of the compression of the transfer device 102 at lamination. In certain embodiments, the transfer device 102 employs a vertical stage that moves the source (e.g., the printable semiconductor element 104 and the native substrate 108) in the pick-up process.

FIGS. 10A and 10B illustrate an example of gravity-assisted separation of the semiconductor elements 104 from the native substrate 108. In this example, the transfer device 102 is brought into contact with the semiconductor elements 104 as shown in FIG. 10A either by moving the transfer device 102, moving the substrate 108, or a combination thereof. In this example, the arrangement and method utilize gravity to assist with picking up the semiconductor elements 104 from the native substrate 108. As shown, the native substrate 108 is configured to move in a downward direction 1002 during the separation. To this end, a higher acceleration is provided to the printable semiconductor element 104 (e.g., due to moving with gravity) that is attached to the transfer device 102 during the pick-up operation as shown in FIG. 10B.

FIGS 11A and 11B illustrate another example of gravity-assisted separation of the printable semiconductor element 104 from the native substrate 108. As shown, the transfer device 102 is oriented below the source substrate 108 and the semiconductor elements 104 are located on the bottom of the source substrate 108 as shown in FIG. 11A. This can be accomplished by forming the devices on the bottom of the substrate 108 or flipping the substrate 108 with the semiconductor elements 104 thereon after the semiconductor elements 104 are formed. The transfer device 102 is moved in a downward direction 1102 during the separation, thereby picking up the semiconductor elements 104 so that they are on the posts of the transfer device 102 as shown in FIG. 11B. Again, a higher acceleration is provided to assist with picking up the printable semiconductor element 104 (e.g., due to moving with gravity).

In certain embodiments, the method shown in FIGS. 10A and 10B and the method shown in FIG. 11A and 11B are combined such that both the source substrate 108 and the transfer device 102 are moved away from each other (in a vertical direction). In such embodiments, the separation acceleration is applied to both the source of the printable elements (e.g., the semiconductor elements 104 and the native substrate 108) and the transfer device 102.

*Transfer Devices Designed to Prevent Accidental Pick Up of Elements Due to Sag*

FIG. 12 is a diagram of an example transfer device 102 with posts 1202 (e.g., an array of posts 1202). Typically, each post 1202 is arranged to contact a given printable semiconductor element 104 to be picked up by the transfer device 102. The posts 1202 may have varying ranges of heights that depend, for example, on the size of the source (e.g., the printable material such as the printable semiconductor element 104) to be picked up by the transfer device 102. In certain embodiments, the posts 1202 include a cylindrical post, triangular post, rectangular post, pentagonal post, hexagonal post, heptagonal post, and octagonal post.

In certain embodiments, during the pick-up of the printable semiconductor element 104 from the native substrate 108, the transfer device 102 compresses the transfer device 102 against the source (e.g., the printable semiconductor element 104 and the native substrate 108). The compression (e.g., in the z-direction), in certain embodiments, allows the lamination of the array of posts 1202 onto the printable elements on the source substrate. In addition, the compression allows for the critical velocity (for pick-up to occur) to be reached within a smaller clearance between the transfer device 102 and the printable semiconductor elements 104. To this end, the transfer device 102 may apply a smaller initial acceleration. In certain embodiments, the transfer device 102 sags during compression in the pickup phase of the print cycle. The sag may cause inadvertent pickup of semiconductor elements 104.

FIG. 13A illustrates a transfer device 1302 (e.g., the same as or similar to the transfer device shown in FIG. 12) and FIG. 13B illustrates sag 1304 occurring during compression of the transfer device 1302 (e.g., during pickup). This sag 1304 causes unwanted materials to be picked up from the source substrate. The array of printable semiconductor devices (not shown) on the native substrate 1306 may be denser than the posts 1308 on the transfer device 1302 such that during an individual transfer (e.g., a single pick up and print) printable devices are intentionally left on the native substrate 1306. However, if the sag 1304 is large enough, the sag 1304 can contact the printable semiconductor devices resulting in unintentional pick-up of these devices. A variety of solutions for reducing (or eliminating) the likelihood of unintentional pick-up of devices due to sag are disclosed herein, including transfer devices with multi-tiered posts, anti-sag posts, or both.

*Transfer Devices with Multi-Tiered Posts*

FIGS. 14A and 14B illustrate an example multi-tiered post 1400. In certain embodiments, a multi-tiered post can be used to eliminate (or reduce) the problems with sag described above in relation to FIGS. 13A and 13B. As shown in FIG. 14B compared to FIG. 13B, even if the transfer device in FIG. 14B experiences the same amount of sag 1404 as the transfer device in FIG. 13B (sage 1304), the sag 1404 of the transfer device shown in FIG. 14B will not pick up semiconductor devices due to the multi-tiered structure increasing the overall height of the post while maintaining the appropriate aspect ratio for the portion of the post (e.g., micro-post) that will interface with the printable device.

As shown in FIG. 14A, in certain embodiments, each post 1422 includes a base post 1412 and a micro-post 1410. The base post 1412 is wider than the micro-post 1410. In certain embodiments, the desired aspect ratio for each base post 1412 and each micro-post 1410 is less than 4:1 (e.g., between 4:1 and 2:1). For example, a base post 1412 can have a 20-micron width and 80-micron height and the micro-post 1410 can have a 5-micron width and a 20-micron height. Thus, the resulting multi-layer post has a 20-micron width and 100-micron height that is capable of picking up 5-micron devices. The base post 1412 can have, for example, a width of 5, 10, 15, 20, 25, 30, or 40 microns and a height of 10, 15, 20, 25, 30, 40, 50, 60, 70, 80, 90, 100, 110, 120, 130, 140, 150, or 160 microns. The micro-post 1410 can have, for example, a width of 1, 2, 3, 4, 5, 10, or 15 microns and a height of 2, 4, 6, 8, 10, 15, 20, 25, 30, 40, 50, or 60 microns.

FIG. 15 is an illustration of a transfer device 1500 with multi-tiered posts 1522. In this example, the micro-post 1510 is made of a viscoelastic material with a lower Young's modulus than the post 1512 and bulk area 1502 which are both made from the same viscoelastic material (i.e., having a higher Young's modulus than the micro-post). Utilizing a lower Young's modulus

in the micro-posts 1510 allows printable device pick up to be tuned accordingly. The micro post 1510 (or posts if this techniques is applied to a transfer device without multi-tiered posts) can be tuned to pick up printable devices while the bulk volume 1502 has a higher Young's modulus, reducing the likelihood that the bulk area 1502 unintentionally picks up printable devices during a print operation. In certain embodiments, the entire post 1522 is formed of a viscoelastic material with a lower Young's modulus than the bulk area 1502.

FIG. 16 is an illustration of a casting for a multi-tiered transfer device (e.g., transfer device 1400 or 1500). In certain embodiments, multi-layer posts 1602 (i.e., including micro-post 1610 and post 1612) are generated using a multiple tiered master 1604 with multiple layers 1614, 1606, 1608. These layers can have different thicknesses and can be of different materials. The base 1614 is the layer on which the master is fabricated. In certain embodiments, the base 1614 is a silicon wafer. The layers 1606 and 1608, in certain embodiments, are polymer layers (e.g., photo-imageable polymer materials) and can be formed using spin-coating and photolithography techniques. The multi-tiered master 1604 can be used to form transfer devices, such as those shown in FIGS. 14A-14B and FIG. 15, with micro-posts for picking up smaller printable objects while maintaining aspect ratios comparable to a standard-sized base post.

In certain embodiments, the post 1602 includes a base post 1612 and a micro-post 1610. The base post 1612 is wider than the micro-post 1610. The base post 1612 allows the micro-post 1610 to have smaller cross-sectional area for contacting small printable devices, while allowing the transfer device to maintain a given post aspect ratio. In other embodiments, each base post 1612 includes an array of micro-posts 1610 thereon.

In certain embodiments, the transfer device is comprised of a single sheet of glass and a bulk volume of polymer. The transfer device is casted against a standard silicon wafer with

either an image-able material covering the silicon allowing for a pattern to be generated. The silicon wafer is referred to as the master.

In certain embodiments, the glass transfer device and silicon master are advantageously configured such that the CTE variation between the two materials are minimized, or eliminated, during, for example, the cure step which is performed at elevated temperatures. The CTE matching allows the amount of pull back at the edge of the transfer device 102 to be decreased, thereby reducing the amount of crowning that can form at the edge of the bulk region, as well as decrease the any kind of through-out issues noted from post to post. In certain embodiments, a room temperature cure is employed to minimize the pullback at the edge of the transfer device. In certain embodiments, the transfer device 102 is formed of a composite structure as explained below. A second material, for example, can be employed below a thin layer of the polymer layer (e.g., to reduce crowning).

An example of multi-tiered posts is shown in FIGS. 17A – 17C. FIGS. 17A-17C are SEM images of multi-layer posts 1702 configured in an array. The posts 1702 may be made of PDMS or other viscoelastic materials. In some embodiments, the posts 1702 and the bulk volume 1702 are formed of the same material. In other embodiments, the micro-posts 1710 can be formed of a material with a lower Young's modulus than the base posts 1712 and the bulk volume 1702. In other embodiments, the micro-posts 1710 and the base posts 1712 can be formed of a material with a lower Young's modulus than the bulk volume 1702. Embodiments including multi-material multi-tiered posts can be accomplished, for example, by selective deposition of the materials into the cast shown in FIG. 16. For example, material can be screen printed into the micro-post 1610 regions of the cast followed by injection molding of the higher Young's modulus material on top (e.g., in the base post 1612) and bulk volume area 1702.

In certain embodiments, multi-tiered posts are also used to solve issues related to crowning on the bulk volume as described below. The use of the multi-tier as explained above allows the multi-tiered post to be taller (e.g., taller than the crown on the bulk volume) while still maintaining the appropriate aspect ratio(s) and enabling the transfer of small devices (e.g., due to the small contact surface area of the micro-post).

#### *Transfer Devices with Anti-Sag Features*

Examples of the anti-sag features 1802 are illustrated in FIGS. 18 and 19. In certain embodiments, to minimize or prevent sagging of the transfer device 102 between the posts (e.g., posts 1202 as shown in FIG. 12), the transfer device 102 includes anti-sag features 1802. The anti-sag features 1802 prevent the bulk volume from sagging during the compression of the transfer device 102, thereby preventing the inadvertent pick-up of unintended or unwanted material (e.g., semiconductor elements 104 not selected for pick-up or debris located at the surface of the native substrate 108) from the surface of the native substrate 108. The anti-sag features 1802 thus operate to improve the selectivity of the transfer device 102.

As shown in FIG. 18, the transfer device 102 includes one or more anti-sag features 1802 that can contact anti-sag regions on the surface of the source substrate 108 between printable regions during a pick up operation. Posts 1806 will pick up printable devices during a pick up operation. Regions 1808 of the stamp contact no posts 1806 or anti-sag posts 1802. These regions 1808 correspond to locations on the source substrate where printable devices are located (or where previously located if they have already been picked up. The compressibility and/or size of the anti-sag features 1802 are insufficient to pick-up the printable objects (e.g., the printable semiconductor element 104) and prevent the bulk volume of the transfer device 102 from sagging and touching the printable substrate.

The anti-sag features 1802 are disposed in the anti-sag regions between regions 1808 and regions with posts 1806. In certain embodiments, the anti-sag features 1802 have a lower aggregate cross-section area of contact than the array of pickup post 1806 of the transfer device 102.

The anti-sag features 1802 may be of any size or shape. In certain embodiments, the anti-sag features 1802 are of the same height as the posts 1806. In certain embodiments, the anti-sag features are taller than the posts 1806. The anti-sag features may be shaped, for example, as a cylindrical post, triangular post, rectangular post, pentagonal post, hexagonal post, heptagonal post, and octagonal post.

FIG. 19 is a diagram of an example transfer device 102 that includes anti-sag features 1802 to contact printable regions on the source (e.g., the semiconductor elements 104 and the native substrate 108). The anti-sag posts 1802 in FIG. 19 are in the same location as those shown in FIG. 18 as well as the regions 1808. Thus, some of the anti-sag posts 1802 will contact locations on the native substrate where printable objects are located or were previously located. In certain embodiments, the anti-sag features 1802 are small enough that they have no pick-up capability. In certain embodiments, the anti-sag features 1802 have a compressibility insufficient to have pick-up capability.

#### *Transfer devices with Roughened Areas between Posts*

In certain embodiments, to minimize or prevent the inadvertent pickup of printable material or undesired material from the source, the transfer device 102 includes a roughened field in the area located between the transfer device posts 114.

FIGS. 20A and 20B are diagrams that illustrate example roughened areas 2002 incorporated on the transfer device 102. A roughened field 2002 is added to the area of the

transfer device 102 in between the transfer device posts 104. This roughened area 2002 will help to prevent pick of printable material if there is sag between the process posts 104. The area 2002 can be comprised of small features that may be placed in a specific pattern array or a random pattern array. In certain embodiments, the roughened field 2002 includes features that are smaller than the transfer device posts 104. For example, in certain embodiments, the roughened features may include cylindrical structures, prisms structures, concave structures, and frusto-conical structures. In certain embodiments, the roughened fields 2002 are placed in a uniform or regular patterned array. In other embodiments, the roughened fields 2002 are placed in a random patterned array.

#### *Composite Transfer Devices*

FIG. 21A illustrates a composite transfer device 2100 and FIG. 21B illustrates a composite transfer device 2150. Composite transfer devices (e.g., 2100 and 2150) can be constructed using different visco-elastic materials in various portions of the transfer device. For example, PDMS has a tunable Young's modulus tuned by controlling the cure temperature or by changing the amount of curing agent in the resin. The polymer formation could include several different materials used together or it could include a different ratio of polymer and hardener. Further, materials A & B can have different crosslink densities.

In certain embodiments, the transfer device 2100 is made of a composite material in which a second polymer formation is employed in the posts 2104 to improve the adhesion between a given transfer device 2100 and a printable element (e.g., printable semiconductor element 104). Further, a different polymer formation for the bulk transfer device allows for less adhesion in the event sag occurs between posts, thereby allowing sag while not picking up printable objects. For example, visco-elastic polymers or visco-elastic elastomers may be used

in either the post 2104 or the bulk volume 2102. The posts 2104, in certain embodiments, have a lower Young's modulus compared to the bulk volume 2102.

In certain embodiments, the post 2104 includes a base 2106 that has a higher Young's modulus than the post 2104. The base 2106 may have the same Young's modulus as the bulk area 2102 as shown in FIG. 21B.

Typically, a transfer device is composed of a single sheet of glass and a bulk volume of polymer. The transfer device is cast against a standard silicon wafer with an imageable material (e.g., patterned photoresist or other photo-imageable polymers such as SU8 or BCB) covering the silicon allowing for a master pattern to be generated. Both the glass and the polymer can be optimized so that the CTE variation between the two can be reduced or eliminated during the cure step at elevated temperatures. This decreases the amount of pull back at the edge of the transfer device which reduces the amount of crowning noted at the edge of the bulk region and decreases differences from post to post. A room temperature cure can also minimize the pullback at the edge of the transfer device.

#### Transfer devices with Reduced Crown

FIG. 22 is an illustration of crowning 2202 at the edge 2204 of the bulk volume 2206 (e.g., PDMS layer) of a transfer device. The bulk volume 2206 (e.g., PDMS layer in this example) may take on various shapes and forms. In certain embodiments, the bulk volume 2206 is cylindrical, triangular, rectangular, pentagonal, hexagonal, heptagonal, or octagonal in shape. The crowning 2202 may be caused by a mismatch in the coefficients of thermal expansion (CTE) between the bulk volume 2206 and the hard-plate interface 2208 (e.g., glass in this example).

FIG. 23 is an illustration of crowning 2202 occurring on the bulk volume 2206 (e.g., visco-elastic material). FIG. 23 is a cross-sectional view of half of the bulk volume 2206 of a

transfer device. For the purposes of this illustration, the posts are omitted. In certain embodiments, as the bulk volume 2206 cools on the hard-plate interface 2208 (e.g., glass substrate), the bulk volume 2206 distorts. This is particularly prevalent towards the edges (e.g., edge 2204) of the bulk volume 2206. The distortion can cause a crown 2202 to form on the top of the elastomer 2206 as shown in FIGS. 22 and 23. The crowning 2202 creates a problem because it can itself unintentionally pick up devices during the transfer process.

As shown in FIG. 24, the crowning 2202 can be taller than the posts 2402. Additionally, the distortion occurs in the x and y direction as well (i.e., lateral distortion). As such, it is undesirable to have the posts positioned on the area of the bulk volume 2206 where the lateral distortion will occur as the spacing of the posts 2402 may change when the distortion occurs (i.e., the spacing of the posts must be known and controlled to ensure that printing occurs properly). A typical distance “d” that the post array would be positioned away from the edge of the bulk volume 2206 to avoid lateral distortions is 5 to 20 millimeters.

#### *Transfer devices With a Composite Structure*

FIG. 25 is an illustration of an example transfer device 2500 with a composite structure. Typically, the transfer device 2500 is comprised of a single sheet of glass 2208 (other materials may be used for the hard-plate interface 2208 besides glass) and a bulk volume of viscoelastic material (e.g., PDMS). In certain embodiments, an additional material layer 2514 is added between the glass plate 2208 and the visco-elastic material 2506 to allow for a thin layer 2518 of visco-elastic material 2506 to be formed on top of the additional layer 2514. The thin layer 2518, for example, may enable the transfer device 2500 to be fabricated with less crowning at the edges as there is less material at the edge to form the crown.

The second material 2514, in certain embodiments, is permanently bonded to the first material 2208. The second material 2514 may be transparent, thereby allowing for a clearer image to be viewed through the transfer device 2500. The second material 2514 allows the use of a thinner bulk material, thereby allowing the transfer device 2500 to employ less compression to fully laminate the printable area.

In certain embodiments, a glass disc is used as the second material 2514 between the hard-plate interface 2208 (e.g., glass) and the transfer device bulk volume 2506. The second material 2514 can be any size or shape. In certain embodiments, the array of micro-posts 2520 are disposed over the area of the second material 2514.

FIGS. 26 and 27 are illustrations of example transfer devices formed of a composite structure with reduced crowning. Reducing the volume (thickness) of the elastomer below the posts leads to smaller distortion regions (crown and lateral). FIG. 26 is a cross section view of half of a transfer device. As compared to FIG. 23, the transfer device in FIG. 26 has less crowning due to the use of the second material 2514 as explained above. As shown in FIG. 27, the crown 2702 is smaller than the crown shown in FIG. 24 and is smaller than the posts 2720 of the transfer device 2700. In this example, the distance “d” can be reduced to 1 to 5 millimeters. Additionally, the lateral distortion is less.

#### *Transfer device Mesa Around the Array of Posts*

FIGS. 28A and 28B are illustrations of an example transfer device mesa 2806 with an array of posts 2804 formed thereon. Due to the smaller post sizes needed to pick up small printable objects, the height of the transfer device post is decreased in order to adhere to desired post aspect ratios. As explained above, if the length of the post (e.g., 1202) is too large relative to its width, the post will bend during compression (e.g., when picking up a device). However,

crowning on the edge of the transfer device may cause devices to be picked up unintentionally if the length of the post relative to its width is such that it does not bend appropriately during compression (e.g., a desired post aspect ratio). A mesa 2806 has been developed around the transfer device array 2804 that allows for a smaller portion of the transfer device to be exposed to the wafer surface. The mesa material can allow for a large step between the array 2804 and the bulk layer 2808. In certain embodiments, the thickness of the mesa 2806 is greater than the height of crowning on the bulk material 2808. This eliminates (or significantly reduces) the risk that the crowning on the bulk material 2808 will unintentionally pick up devices during the transfer process. Additionally, in certain embodiments, the thickness of the mesa 2806 is less than the thickness of the bulk material 2808. As such, the crowning on the mesa 2806 (if any) is smaller than that of the crowning on the bulk material 2808.

The mesa 2806 can be any shape, as long as it encompasses the entire transfer device array 2804. The transfer device mesa 2806 may be fabricated on a bulk volume of polymer 2808 which itself is on a single sheet of glass 2802.

FIG. 29 is an illustration of an example transfer device 2900 with reduced crowning 2920. A mesa 2806 is positioned around/below the posts 2804. The thickness of the mesa 2806 is less than the thickness of the bulk volume 2808 (e.g., due to the thickness of the mesa 2806 and the height of the posts 2804). As such, the crowning 2920 on the mesa 2806 (if any) is smaller than that of the crowning 2930 on the bulk material 2808. The thickness of the mesa 2806 is such that the posts 2804 are prominent over both the crowning 2920 on the mesa 2806 and the crowning 2930 on the bulk volume 2808. Thus, the risk of accidentally picking up devices by the crowning 2920 and 2930 is reduced or eliminated.

*Transfer Devices with the Crown At Least Partially Removed*

To reduce the crowning effect, the edges 1504 may be partially removed to produce an angled edge. FIGS. 30A and 30B are illustrations of a method of reducing the crowning 2202 on the bulk material 2206 as shown from a side/cross-sectional view of the transfer device. Angling cuts 3002 can be made to the edge 2204 of the transfer device to reduce the amount of crowning (e.g., that is formed when transfer devices are cast and as the PDMS pulls towards the center of the transfer device material). The cuts 3002 may be made using a razor 3004. These cuts 3002 may be made around the edge 2204 of the transfer device at regular intervals to significantly reduce the amount of crowning 2202 present. In certain embodiments, this reduces or eliminates the chance that the bulk material 2206 of the stamp will touch down at the edge of the transfer device before the array is fully laminated.

*Transfer Device Sidewall Shapes*

In certain embodiments, the shape of the elastomer sidewall may be used to control the distortions around the edge of the stamp. Finite element modeling was performed to understand how the shape of the elastomer sidewall affects the distortions around the edge of the stamp. In the example described below, a 1 mm thick, 20 mm broad slab of PDMS on 3 mm of glass, in plane strain was used. The CTE of the glass was 7 ppm/K and the CTE of PDMS was 300ppm/K. The delta T was 333 K (cure temp) to 295K (lab temp). The bevel (i.e., sidewall) of the PDMS slab was varied. A transfer device with each of the following bevels/sidewalls was tested: 15-degree bevel, 30-degree bevel, 45-degree bevel, 60-degree bevel, 75-degree bevel, round bevel, elongated round bezel, and the square bevel as shown in FIGS. 31A through 31G.

FIG. 32 is a plot of the crowning height from the top surface of the elastomer as a function of the lateral position coordinate on the top surface of the elastomer sidewall as for each

of the sidewall profiles shown in FIGS. 31A through 31G. FIG. 33 is a plot of the crown height produced during formation of transfer devices with the sidewall profiles shown in FIGS. 31A through 31G.

This analysis illustrated sidewall shapes that result in reduced crowning. As shown in FIGS. 32 and 33, the 15-degree bevel, 30-degree bevel, 45-degree bevel, 60-degree bevel, 75-degree bevel, round bevel, and elongated round bezel all had less crown than the square bevel.

In certain embodiments, features of different transfer devices discussed above are combined into a single transfer device. For example, a transfer device may include one or more anti-crown features, one or more sag pickup reduction features, etc. Furthermore, methods disclosed herein may be combined into a single method. For example, a method may include plasma treating the semiconductor elements and heat-assisted printing.

Having described various embodiments of the disclose technology, it will now become apparent to one of skill in the art that other embodiments incorporating the concepts may be used. It is felt, therefore, that these embodiments should not be limited to the disclosed embodiments, but rather should be limited only by the spirit and scope of the following claims.

Throughout the description, where apparatus and systems are described as having, including, or comprising specific components, or where processes and methods are described as having, including, or comprising specific steps, it is contemplated that, additionally, there are apparatus, and systems of the disclosed technology that consist essentially of, or consist 10 of, the recited components, and that there are processes and methods according to the disclosed technology that consist essentially of, or consist of, the recited processing steps.

It should be understood that the order of steps or order for performing certain action is immaterial so long as the disclosed technology remains operable. Moreover, two or more steps or actions may be conducted simultaneously.

The various described embodiments of the invention may be used in conjunction with one or more of the other embodiments unless technically incompatible.

In an aspect, a system and method for assembling a semiconductor device on a receiving surface of a destination substrate is disclosed. In another aspect, a system and method for assembling a semiconductor device on a destination substrate with topographic features is disclosed. In another aspect, a gravity-assisted separation system and method for printing semiconductor device is disclosed. In another aspect, various features of a transfer device for printing semiconductor devices are disclosed.

What is claimed:

1. A method for assembling a semiconductor device on a receiving surface of a destination substrate, the method comprising:

providing the semiconductor device formed on a native substrate;

contacting a top surface of the semiconductor device with a conformable transfer device having a contact surface, wherein contact between the contact surface and the top surface of the semiconductor device at least temporarily binds the semiconductor device to the conformable transfer device;

separating the semiconductor device from the native substrate such that the contact surface of the conformable transfer device has the semiconductor device disposed thereon with the semiconductor device released from the native substrate;

prior to contacting the semiconductor device with the receiving surface of the destination substrate, exposing a backside surface of the semiconductor device to a plasma (e.g., atmospheric plasma) following separation from the native substrate;

contacting the semiconductor device disposed on the contact surface with the receiving surface of the destination substrate; and

separating the contact surface of the conformable transfer device from the semiconductor device, thereby assembling the semiconductor device on the receiving surface of the destination substrate.

2. The method of claim 1, wherein exposing the backside surface to plasma improves bonding between the semiconductor device and the receiving substrate of the destination substrate.
3. The method of claim 1 or 2, wherein exposing the backside surface to plasma cleans the backside surface of the semiconductor device.
4. The method of any one of the preceding claims, wherein exposing the backside surface to plasma removes thin layers of oxides from the backside surface of the semiconductor device.
5. The method of any one of the preceding claims, wherein the destination substrate is a member selected from the group consisting of polymer, plastic, resin, polyimide, PEN, PET, metal, metal foil, glass, a semiconductor, and sapphire.
6. The method of any one of the preceding claims, wherein the destination substrate has a transparency greater than or equal to 50%, 80%, 90%, or 95% for visible light.
7. The method of any one of the preceding claims, wherein the native substrate comprises a member selected from the group consisting of inorganic semiconductor material, single crystalline silicon wafers, silicon on insulator wafers, polycrystalline silicon wafers, GaAs wafers, Si (1 1 1), InAlP, InP, GaAs, InGaAs, AlGaAs, GaSb, GaAlSb, AlSb, InSb, InGaAlSbAs, InAlSb, and InGaP.

8. The method of any one of the preceding claims, wherein the plasma comprises a reducing gas.
9. The method of any one of the preceding claims, comprising controlling at least one of a duty cycle, residence time, power of the plasma, and distance of the plasma to the semiconductor device to prevent shearing and delamination of the semiconductor devices from the contacting surface of the conformable transfer device.
10. The method of any one of the preceding claims, wherein the backside surface of the semiconductor device comprises metal.
11. The method of claim 10, wherein the metal is at least one of copper, tin, aluminum, and a mixture thereof.
12. The method of claim 10, wherein the receiving surface of the destination substrate at least in part comprises metal.
13. The method of claim 12, wherein the metal is at least one of copper, tin, aluminum, and a mixture thereof.
14. The method of any one of the preceding claims, wherein conformable transfer device comprises at least one of a visco-elastic stamp and an elastic stamp.

15. The method of any one of the preceding claims, comprising: prior to contacting the semiconductor device disposed on the contact surface with the receiving surface of the destination substrate, separating the conformable transfer device from the native substrate, thereby picking up the semiconductor device from the native substrate.
16. The method of claim 15, wherein separating the conformable transfer device from the native substrate is performed with an initial acceleration of no less than 5 g (e.g., 5-100g).
17. The method of any one of the preceding claims, wherein said separating the conformable transfer device from the native substrate comprises one or both of the following:
- (i) moving the conformable transfer device away from the native substrate; and
  - (ii) moving the native substrate away from the conformable transfer device.
18. The method of any one of the preceding claims, wherein the conformable transfer device comprises at least one of a cylindrical post, triangular post, rectangular post, pentagonal post, hexagonal post, heptagonal post, and octagonal post.
19. The method of any one of the preceding claims, wherein the conformable transfer device comprises a transfer device layer with a plurality of posts, each of the posts shaped to contact an individual semiconductor device from the native substrate, thereby assembling an array of semiconductor devices on the receiving surface of the destination substrate.

20. The method of claim 19, wherein the conformable transfer device comprises one or more anti-sag posts located between two adjacent posts of the plurality of posts.
21. The method of claim 20, wherein the anti-sag posts have a height that is less than the height of one or more of the posts.
22. The method of any one of the preceding claims, wherein the surface of the transfer device between each post of the plurality of posts is a roughened surface.
23. The method of any one of the preceding claims, wherein a bulk volume of the transfer device comprises a first material and the plurality of posts comprise a second material, wherein the plurality of posts are disposed on the bulk volume.
24. The method of any one of the preceding claims, comprising, after contacting the semiconductor device disposed on the contact surface with the receiving surface of the destination substrate, heating, by a heating element, the polymer layer.
25. The method of any one of the preceding claims, comprising:  
after providing the semiconductor device formed on a native substrate, etching at least a portion of a release layer formed between the semiconductor device and the native substrate.
26. The method of any one of the preceding claims, wherein the semiconductor device comprises a unitary inorganic semiconductor structure.

27. The method of any one of the preceding claims, wherein the destination substrate comprises Si.
28. The method of any one of the preceding claims, wherein the semiconductor device comprises an encapsulating polymer layer.
29. The method of any one of the preceding claims, wherein the conformable transfer device comprises one or more anti-sag posts of the same height as the plurality of posts, each anti-sag post located between at least two posts of the plurality of posts.
30. The method of any one of the preceding claims, wherein the semiconductor device is assembled on the receiving surface of the destination substrate such that a metal backside surface of the semiconductor device at least partially contacts a flux layer on the destination substrate.
31. The method of claim 30, comprising, after assembling the semiconductor device on the receiving surface of the destination substrate, thermally treating the flux layer, thereby securing the metal backside surface to the metal pad.
32. The method of any one of the preceding claims, wherein the semiconductor device has a polymer layer disposed on a top surface of the semiconductor device.
33. A method for assembling a semiconductor device on a receiving surface of a destination substrate, the method comprising:

providing the semiconductor device formed on a native substrate with a polymer layer disposed on a top surface of the semiconductor device;

contacting the polymer layer of the semiconductor device with a conformable transfer device having a contact surface, wherein contact between the contact surface and the semiconductor device at least temporarily binds the semiconductor device to the conformable transfer device;

separating the semiconductor device from the native substrate so that the semiconductor device is disposed on the contact surface of the conformable transfer device and is released from the native substrate;

contacting the semiconductor device disposed on the contact surface to the receiving surface of the destination substrate;

heating, by a heating element, the polymer layer; and

separating the contact surface of the conformable transfer device from the semiconductor device so that the semiconductor device is transferred onto the receiving surface, thereby assembling the semiconductor device on the receiving surface of the destination substrate.

34. The method of claim 33, wherein the heating element is a hotplate.

35. The method of claim 33 or 34, wherein the heating element is disposed on a side of the destination substrate opposite the semiconductor device.

36. The method of any one of claims 33 to 35, wherein the destination substrate is non-native to the semiconductor devices.

37. The method of any one of claims 33 to 36, comprising: after heating the polymer layer, removing, at least in part, the polymer.
38. The method of any one of claims 33 to 37, wherein heat from the heating element reduces a viscosity of the polymer layer and causes the polymer layer to flow.
39. The method of any one of claims 33 to 38, wherein the polymer layer is disposed on the top surface of the semiconductor device and one or more sides of the semiconductor device.
40. The method of any one of claims 33 to 39, wherein the polymer layer encapsulates at least a portion of the printable semiconductor on the native substrate.
41. The method of any one of claims 33 to 40, wherein the receiving surface of the destination substrate comprises a non-planar topographical surface.
42. The method of any one of claims 33 to 41, wherein the destination substrate is a member selected from the group consisting of polymer, plastic, resin, polyimide, PEN, PET, metal, metal foil, glass, a semiconductor, and sapphire.
43. The method of any one of claims 33 to 42, wherein the destination substrate has a transparency greater than or equal to 50%, 80%, 90%, or 95% for visible light.

44. The method of any one of claims 33 to 43, wherein the native substrate comprises a member selected from the group consisting of inorganic semiconductor material, single crystalline silicon wafers, silicon on insulator wafers, polycrystalline silicon wafers, GaAs wafers, Si (1 1 1), InAlP, InP, GaAs, InGaAs, AlGaAs, GaSb, GaAlSb, AlSb, InSb, InGaAlSbAs, InAlSb, and InGaP.

45. The method of any one of claims 33 to 44, wherein the semiconductor device is assembled on the receiving surface of the destination substrate such that a metal backside surface of the semiconductor device at least partially contacts a flux layer on the destination substrate.

46. The method of claim 45, comprising, after assembling the semiconductor device on the receiving surface of the destination substrate, thermally treating the flux layer, thereby securing the metal backside surface to the metal pad.

47. The method of any one of claims 33 to 46, comprising, prior to contacting the semiconductor device with the receiving surface of the destination substrate, exposing a backside surface of the semiconductor device, opposite the top surface of the semiconductor device, to plasma following separation from the native substrate.

48. A method for assembling a semiconductor device on a receiving surface of a destination substrate, the method comprising:

providing the semiconductor device formed on a native substrate, the semiconductor device comprising a metal backside surface;

contacting a top surface of the semiconductor device with a conformable transfer device having a contact surface, wherein contact between the contact surface and the semiconductor device at least temporarily binds the semiconductor device to the conformable transfer device;

separating the semiconductor device from the native substrate so that the contact surface of the conformable transfer device has the semiconductor device disposed thereon with the semiconductor device released from the native substrate;

contacting the semiconductor device disposed on the contact surface with the receiving surface of the destination substrate, wherein the receiving surface comprises a flux layer on a metal pad disposed on the destination substrate;

separating the contact surface of the conformable transfer device from the semiconductor device, thereby assembling the semiconductor device on the receiving surface of the destination substrate such that the metal backside surface of the semiconductor device at least partially contacts the flux layer; and

exposing the flux layer to heat, thereby securing the metal backside surface to the metal pad.

49. The method of claim 48, wherein thermally treating the flux layer comprises exposing the flux layer to heat.

50. The method of claim 48 or 49, wherein the flux layer is exposed to heat using a heating element.

51. The method of claim 50, wherein the heating element is a hotplate.

52. The method of claim 50, wherein the heating element is disposed on a side of the destination substrate opposite the printable semiconductor device.
53. The method of any one of claims 48 to 52, wherein providing the semiconductor device formed on the native substrate comprises providing the semiconductor device formed on the native substrate with a polymer layer disposed on a top surface of the semiconductor device.
54. The method of any one of claims 48 to 53, wherein the destination substrate is a member selected from the group consisting of polymer, plastic, resin, polyimide, PEN, PET, metal, metal foil, glass, a semiconductor, and sapphire.
55. The method of any one of claims 48 to 54, wherein the destination substrate has a transparency greater than or equal to 50%, 80%, 90%, or 95% for visible light.
56. The method of any one of claims 48 to 55, wherein the native substrate comprises a member selected from the group consisting of inorganic semiconductor material, single crystalline silicon wafers, silicon on insulator wafers, polycrystalline silicon wafers, GaAs wafers, Si (1 1 1), InAlP, InP, GaAs, InGaAs, AlGaAs, GaSb, GaAlSb, AlSb, InSb, InGaAlSbAs, InAlSb, and InGaP.
57. The method of any one of claims 48 to 56, wherein providing the semiconductor device formed on the native substrate comprises:

forming the semiconductor device on the native substrate; and  
encapsulating the printable semiconductor at least in part with a polymer layer.

58. The method of any one of claims 48 to 57, wherein the semiconductor device formed on the native substrate is encapsulated with a polymer layer.

59. The method of any one of claims 48 to 58, wherein the receiving surface of the destination substrate comprises one or more non-planar topographical features.

60. The method of any one of claims 48 to 59, wherein the one or more non-planar topographic features comprise at least one member selected from the group consisting of mesas, v-shaped channels, and trenches.

61. The method of any one of claims 48 to 60, wherein the semiconductor device has a polymer layer disposed on a top surface of the semiconductor device.

62. The method of claim 61, comprising, after contacting the semiconductor device disposed on the contact surface with the receiving surface of the destination substrate, heating, by a heating element, the polymer layer.

63. The method of any one of claims 48 to 62, comprising, following separation from the native substrate and prior to contacting the semiconductor device with the receiving surface of

the destination substrate, exposing to plasma a backside surface of the semiconductor device, opposite the top surface of the semiconductor device.

64. A conformable transfer device with reduced crowning, the transfer device comprising:  
a bulk volume having a first surface and a second surface, opposite the first surface, and a side between the first surface and the second surface, wherein the bulk area comprises a tapered surface connecting the side to the first surface; and  
a plurality of printing posts disposed on the first surface of the bulk volume for picking up printable material, wherein the plurality of printing posts and the bulk volume are arranged such that a force applied to the second surface of the bulk volume is transmitted to the plurality of printing posts.

65. The device of claim 64, wherein an aspect ratio (height to width) of each post of the plurality of posts is less than or equal to 4:1 (e.g., from 2:1 to 4:1).

66. The device of claim 64 or 65, wherein each post of the plurality of printing posts comprises a contact surface on the end of the post opposite the first surface, wherein the contact surfaces of the plurality of posts are substantially in a same plane.

67. The device of any one of claims 64 to 66, wherein the thickness of plurality of printing posts is from 1 micron to 100 microns (e.g., from 1 to 5 microns, 5 to 10 microns, 10 to 15 microns, 50 to 25 microns, 25 to 40 microns, 40 to 60 microns, 60 to 80 microns, or 80 to 100 microns).

68. The device of any one of claims 64 to 67, wherein the thickness of the bulk volume is from .5 mm to 5 mm (e.g., from .5 to 1 mm, 1 to 2 mm, 2 to 3 mm, 3 to 4 mm, or 4 to 5 mm).
69. The device of any one of claims 64 to 68, wherein the ratio of the thickness of the plurality of printing posts and the thickness of the bulk volume is from 1:1 to 1:10 (e.g., from 1:1 to 1:2, 1:2 to 1:4, 1:4 to 1:6, 1:6 to 1:8, or 1:8 to 1:10).
70. The device of any one of claims 64 to 69, wherein the bulk volume has a Young's modulus from 1 GPa to 10 GPa (e.g., from 1 to 4 GPa, 4 to 7 GPa, 7 to 10 GPa).
71. The device of any one of claims 64 to 70, wherein the plurality of printing posts have a Young's modulus from 1 MPa to 10 MPa (e.g., from 1 to 4 MPa, 4 to 7 MPa, 7 to 10 MPa).
72. The device of any one of claims 64 to 71, wherein the plurality of printing posts have a first Young's modulus and the base has a second Young's modulus, greater than the first Young's modulus.
73. The device of any one of claims 64 to 72, wherein the bulk volume comprises a polymer having a coefficient of thermal expansion less than or equal to 14.5 ppm.
74. The device of any one of claims 64 to 73, wherein the plurality of printing posts occupy an area selected from 10 cm<sup>2</sup> to 260 cm<sup>2</sup> (e.g., from 10 cm<sup>2</sup> to 40 cm<sup>2</sup>, 40 cm<sup>2</sup> to 80 cm<sup>2</sup>, 120 cm<sup>2</sup> to 160 cm<sup>2</sup>, 160 cm<sup>2</sup> to 200 cm<sup>2</sup>, 200 cm<sup>2</sup> to 240 cm<sup>2</sup>, or 240 cm<sup>2</sup> to 260 cm<sup>2</sup>).

75. The device of any one of claims 64 to 74, wherein each printing post of the plurality of printing posts has at least one of a width, length, and height from 50 nanometers to 10 micrometers (e.g., 50 nm to 100 nm, 100 nm to 200 nm, 200 nm to 400 nm, 400 nm to 600 nm, 600 nm to 800 nm, 800 nm to 1 micron, 1 micron to 5 microns, or 5 microns to 10 microns).

76. The device of any one of claims 64 to 75, wherein the plurality of printing posts are formed in a continuous, unitary layer.

77. The device of any one of claims 64 to 76, wherein the plurality of printing posts comprises a polymer.

78. The device of any one of claims 64 to 77, wherein the bulk volume is Polydimethylsiloxane (PDMS).

79. The device of any one of claims 64 to 78, wherein the bulk volume and the plurality of printing posts are formed from a single material.

80. The device of any one of claims 64 to 79, wherein a least a portion of the posts are arranged on the first surface from 1 mm to 15 mm away from an edge of the first surface (e.g., from 1 mm to 5 mm or 5 mm to 10 mm, 10 mm to 15 mm from the edge).

81. The device of any one of claims 64 to 80, wherein the bulk volume has a side surface between the first and second surfaces, the side surface.
82. The device of claim 81, wherein the side surface has a beveled and/or rounded edge.
83. The devices of claim 81, wherein the side surface has a rounded profile (e.g., convex or concave).
84. The device of claim 81, wherein the side surface has a beveled edge forming an angle from horizontal (parallel to the first surface) of no greater than  $75^\circ$  (e.g., no greater than  $60^\circ$ , no greater than  $45^\circ$ , no greater than  $30^\circ$ , or no greater than  $15^\circ$ ).
85. A conformable transfer device comprising an elastomer (e.g., PDMS) slab (e.g., bulk volume) having a mesa configuration with a surface upon which a plurality of (e.g., array of) posts are disposed, wherein one or more of the following holds [any of (i), (ii), and/or (iii)]:
- (i) the edge of the mesa has a beveled and/or rounded edge so as to reduce distortion of the surface and allow accurate spacing of the plurality of posts;
  - (ii) the plurality of posts are arranged on the surface at least 1 mm away from the edge (e.g., from 1 mm to 5 mm or 5 mm to 20 mm from the edge); and
  - (iii) the mesa has a thickness no greater than 10 mm (e.g., from 1 to 5 mm).

86. The device of claim 85, wherein the edge of the mesa has a beveled edge forming an angle from horizontal (parallel to the surface) of no greater than  $75^\circ$  (e.g., no greater than  $60^\circ$ , no greater than  $45^\circ$ , no greater than  $30^\circ$ , or no greater than  $15^\circ$ ).

87. The device of claim 85 or 86, wherein the edge of the mesa has a rounded profile (e.g., convex or concave).

88. The device of any one of claims 85 to 87, comprising a substrate (e.g., glass) upon which the elastomer slab is disposed.

89. The device of any one of claims 85 to 88, wherein an aspect ratio (height to width) of each post of the plurality of posts is less than or equal to 4:1 (e.g., from 2:1 to 4:1).

90. The device of any one of claims 85 to 89, wherein each post of the plurality of printing posts comprises a contact surface on the end of the post opposite the first surface, wherein the contact surfaces of the plurality of posts are substantially in a same plane.

91. The device of any one of claims 85 to 90, wherein the thickness of the posts is from 1 micron to 100 microns (e.g., from 1 to 5 microns, 5 to 10 microns, 10 to 15 microns, 50 to 25 microns, 25 to 40 microns, 40 to 60 microns, 60 to 80 microns, or 80 to 100 microns).

92. The device of any one of claims 85 to 91, wherein the thickness of the mesa is from .5 mm to 5 mm (e.g., from .5 to 1 mm, 1 to 2 mm, 2 to 3 mm, 3 to 4 mm, or 4 to 5 mm).

93. The device of any one of claims 85 to 92, wherein the ratio of the thickness of the plurality of posts to the thickness of the mesa is from 1:1 to 1:10 (e.g., from 1:1 to 1:2, 1:2 to 1:4, 1:4 to 1:6, 1:6 to 1:8, or 1:8 to 1:10).
94. The device of any one of claims 85 to 93, wherein the mesa has a Young's modulus from 1 GPa to 10 GPa (e.g., from 1 to 4 GPa, 4 to 7 GPa, 7 to 10 GPa).
95. The device of any one of claims 85 to 94, wherein the posts have a Young's modulus from 1 MPa to 10 MPa (e.g., from 1 to 4 MPa, 4 to 7 MPa, 7 to 10 MPa).
96. The device of any one of claims 85 to 95, wherein the posts have a first Young's modulus and the mesa has a second Young's modulus, greater than the first Young's modulus.
97. The device of any one of claims 85 to 96, wherein the posts have a Young's modulus from 1 MPa to 5 MPa.
98. The device of any one of claims 85 to 97, wherein the mesa comprises a polymer having a coefficient of thermal expansion less than or equal to 14.5 ppm.
99. The device of any one of claims 85 to 98, wherein the posts occupy an area selected from 10 cm<sup>2</sup> to 260 cm<sup>2</sup> (e.g., from 10 cm<sup>2</sup> to 40 cm<sup>2</sup>, 40 cm<sup>2</sup> to 80 cm<sup>2</sup>, 120 cm<sup>2</sup> to 160 cm<sup>2</sup>, 160 cm<sup>2</sup> to 200 cm<sup>2</sup>, 200 cm<sup>2</sup> to 240 cm<sup>2</sup>, or 240 cm<sup>2</sup> to 260 cm<sup>2</sup>).

100. The device of any one of claims 85 to 99, wherein each post of the posts has at least one of a width, length, and height from 50 nanometers to 10 micrometers (e.g., 50 nm to 100 nm, 100 nm to 200 nm, 200 nm to 400 nm, 400 nm to 600 nm, 600 nm to 800 nm, 800 nm to 1 micron, 1 micron to 5 microns, or 5 microns to 10 microns).

101. The device of any one of claims 85 to 100, wherein the posts are formed in a continuous, unitary layer.

102. The device of any one of claims 85 to 101, wherein the posts comprises a polymer.

103. The device of any one of claims 85 to 102, wherein the mesa is Polydimethylsiloxane (PDMS).

104. The device of any one of claims 85 to 103, wherein the mesa and the posts are formed from a single material.

105. A conformable transfer device, the transfer device comprising:  
a bulk volume having a first surface and a second surface, opposite the first surface;  
a mesa disposed on the bulk volume;  
a layer comprising a plurality of posts (e.g., array of posts) disposed on the mesa,  
opposite the bulk volume, for picking up printable material, wherein the plurality of posts, the

mesa, and the bulk volume are arranged such that a force applied to the second surface of the bulk volume is transmitted to the plurality of posts.

106. The device of claim 105, wherein a thickness of the mesa is greater than a thickness of the posts.

107. The device of claim 105 or 106, wherein an aspect ratio (height to width) of each post of the plurality of posts is less than or equal to 4:1 (e.g., from 2:1 to 4:1).

108. The device of any one of claims 105 to 107, wherein each post of the plurality of printing posts comprises a contact surface on the end of the post opposite the first surface, wherein the contact surfaces of the plurality of posts are substantially in a same plane.

109. The device of any one of claims 105 to 108, wherein the thickness of the posts is from 1 micron to 100 microns (e.g., from 1 to 5 microns, 5 to 10 microns, 10 to 15 microns, 50 to 25 microns, 25 to 40 microns, 40 to 60 microns, 60 to 80 microns, or 80 to 100 microns).

110. The device of any one of claims 105 to 109, wherein a thickness of the bulk volume is from .5 mm to 5 mm (e.g., from .5 to 1 mm, 1 to 2 mm, 2 to 3 mm, 3 to 4 mm, or 4 to 5 mm).

111. The device of any one of claims 105 to 110, wherein a ratio of a thickness of the posts to a thickness of the bulk volume is from 1:1 to 1:10 (e.g., from 1:1 to 1:2, 1:2 to 1:4, 1:4 to 1:6, 1:6 to 1:8, or 1:8 to 1:10).

112. The device of any one of claims 105 to 111, wherein the bulk volume has a Young's modulus from 1 GPa to 10 GPa (e.g., from 1 to 4 GPa, 4 to 7 GPa, 7 to 10 GPa).

113. The device of any one of claims 105 to 112, wherein the posts have a Young's modulus from 1 MPa to 10 MPa (e.g., from 1 to 4 MPa, 4 to 7 MPa, 7 to 10 MPa).

114. The device of any one of claims 105 to 113, wherein the posts have a first Young's modulus and the bulk volume has a second Young's modulus, greater than the first Young's modulus.

115. The device of claim 114, wherein the mesa has the first Young's modulus.

116. The device of claim 114, wherein the mesa has the second Young's modulus.

117. The device of any one of claims 105 to 116, wherein the bulk volume comprises a polymer having a coefficient of thermal expansion less than or equal to 14.5 ppm.

118. The device of any one of claims 105 to 117, wherein the posts occupy an area selected from 10 cm<sup>2</sup> to 260 cm<sup>2</sup> (e.g., from 10 cm<sup>2</sup> to 40 cm<sup>2</sup>, 40 cm<sup>2</sup> to 80 cm<sup>2</sup>, 120 cm<sup>2</sup> to 160 cm<sup>2</sup>, 160 cm<sup>2</sup> to 200 cm<sup>2</sup>, 200 cm<sup>2</sup> to 240 cm<sup>2</sup>, or 240 cm<sup>2</sup> to 260 cm<sup>2</sup>).

119. The device of any one of claims 105 to 118, wherein each post of the plurality of posts has at least one of a width, length, and height from 50 nanometers to 10 micrometers (e.g., 50 nm to 100 nm, 100 nm to 200 nm, 200 nm to 400 nm, 400 nm to 600 nm, 600 nm to 800 nm, 800 nm to 1 micron, 1 micron to 5 microns, or 5 microns to 10 microns).

120. The device of any one of claims 105 to 119, wherein the posts are formed in a continuous, unitary layer.

121. The device of any one of claims 105 to 120, wherein the posts comprise a polymer.

122. The device of any one of claims 105 to 121, wherein the bulk volume is Polydimethylsiloxane (PDMS).

123. The device of any one of claims 105 to 123, wherein the bulk volume and the posts are formed from a single material.

124. The device of any one of claims 105 to 123, wherein a least a portion of the posts are arranged on the first surface from 1 mm to 15 mm away from an edge of the first surface (e.g., from 1 mm to 5 mm or 5 mm to 10 mm, 10 mm to 15 mm from the edge).

125. The device of any one of claims 105 to 124, wherein the bulk volume has a side surface between the first and second surfaces, the side surface.

126. The device of claim 125, wherein the side surface has a beveled and/or rounded edge.

127. The devices of claim 125, wherein the side surface has a rounded profile (e.g., convex or concave).

128. The device of claim 125, wherein the side surface has a beveled edge forming an angle from horizontal (parallel to the first surface) of no greater than  $75^\circ$  (e.g., no greater than  $60^\circ$ , no greater than  $45^\circ$ , no greater than  $30^\circ$ , or no greater than  $15^\circ$ ).

129. A method of modifying a conformable transfer device to reduce crowning, the method comprising:

providing a transfer device comprising:

a bulk volume having a first surface and a second surface, opposite the first surface, and one or more sides between the first surface and the second surface;

a plurality of printing posts disposed on the first surface of the bulk volume for picking up printable material, wherein the plurality of printing posts and the bulk volume are arranged such that a force applied to the second surface of the bulk volume is transmitted to the plurality of printing posts; and

cutting an edge of the first surface of the bulk substrate at a non-zero angle with respect to the first surface, thereby reducing crowning at the edge.

130. The method of claim 129, wherein an aspect ratio (height to width) of each post of the plurality of posts is less than or equal to 4:1 (e.g., from 2:1 to 4:1).

131. The method of claim 129 or 130, wherein each post of the plurality of printing posts comprises a contact surface on the end of the post opposite the first surface, wherein the contact surfaces of the plurality of posts are substantially in a same plane.

132. The method of any one of claims 129 to 131, wherein a thickness of plurality of printing posts is from 1 micron to 100 microns (e.g., from 1 to 5 microns, 5 to 10 microns, 10 to 15 microns, 50 to 25 microns, 25 to 40 microns, 40 to 60 microns, 60 to 80 microns, or 80 to 100 microns).

133. The method of any one of claims 129 to 132, wherein a thickness of the bulk volume is from .5 mm to 5 mm (e.g., from .5 to 1 mm, 1 to 2 mm, 2 to 3 mm, 3 to 4 mm, or 4 to 5 mm).

134. The method of any one of claims 129 to 133, wherein a ratio of a thickness of the plurality of printing posts and a thickness of the bulk volume is from 1:1 to 1:10 (e.g., from 1:1 to 1:2, 1:2 to 1:4, 1:4 to 1:6, 1:6 to 1:8, or 1:8 to 1:10).

135. The method of any one of claims 129 to 134, wherein the bulk volume has a Young's modulus from 1 GPa to 10 GPa (e.g., from 1 to 4 GPa, 4 to 7 GPa, 7 to 10 GPa).

136. The method of any one of claims 129 to 135, wherein the plurality of printing posts have a Young's modulus from 1 MPa to 10 MPa (e.g., from 1 to 4 MPa, 4 to 7 MPa, 7 to 10 MPa).

137. The method of any one of claims 129 to 136, wherein the plurality of printing posts have a first Young's modulus and the bulk volume has a second Young's modulus, greater than the first Young's modulus.

138. The method of any one of claims 129 to 137, wherein the bulk volume comprises a polymer having a coefficient of thermal expansion less than or equal to 14.5 ppm.

139. The method of any one of claims 129 to 138, wherein the plurality of printing posts occupy an area selected from 10 cm<sup>2</sup> to 260 cm<sup>2</sup> (e.g., from 10 cm<sup>2</sup> to 40 cm<sup>2</sup>, 40 cm<sup>2</sup> to 80 cm<sup>2</sup>, 120 cm<sup>2</sup> to 160 cm<sup>2</sup>, 160 cm<sup>2</sup> to 200 cm<sup>2</sup>, 200 cm<sup>2</sup> to 240 cm<sup>2</sup>, or 240 cm<sup>2</sup> to 260 cm<sup>2</sup>).

140. The method of any one of claims 129 to 139, wherein each printing post of the plurality of printing posts has at least one of a width, length, and height from 50 nanometers to 10 micrometers (e.g., 50 nm to 100 nm, 100 nm to 200 nm, 200 nm to 400 nm, 400 nm to 600 nm, 600 nm to 800 nm, 800 nm to 1 micron, 1 micron to 5 microns, or 5 microns to 10 microns).

141. The method of any one of claims 129 to 140, wherein the plurality of printing posts are formed in a continuous, unitary layer.

142. The method of any one of claims 129 to 141, wherein the plurality of printing posts comprises a polymer.

143. The method of any one of claims 129 to 142, wherein the bulk volume is Polydimethylsiloxane (PDMS).

144. The method of any one of claims 129 to 143, wherein the bulk volume and the plurality of printing posts are formed from a single material.

145. The method of any one of claims 129 to 144, wherein a least a portion of the posts are arranged on the first surface from 1 mm to 15 mm away from an edge of the first surface (e.g., from 1 mm to 5 mm or 5 mm to 10 mm, 10 mm to 15 mm from the edge).

146. The method of any one of claims 129 to 145, wherein the bulk volume has a side surface between the first and second surfaces, the side surface.

147. The method of claim 146, wherein the side surface has a beveled and/or rounded edge.

148. The method of claim 146, wherein the side surface has a rounded profile (e.g., convex or concave).

149. The method of claim 148, wherein the side surface has a beveled edge forming an angle from horizontal (parallel to the first surface) of no greater than  $75^\circ$  (e.g., no greater than  $60^\circ$ , no greater than  $45^\circ$ , no greater than  $30^\circ$ , or no greater than  $15^\circ$ ).

150. A conformable transfer device, the transfer device comprising:  
a bulk volume having a first surface and a second surface, opposite the first surface; and  
a plurality of posts disposed on the first surface of the bulk volume for picking up printable material, wherein each posts comprises a base section and a top section, wherein the top section has a cross-sectional area smaller than that of the base section (e.g., less than 50%, 30%, 25%, 10% of the cross-sectional area of the base section).

151. The device of claim 150, wherein the each of the plurality of posts comprises a contact surface on the end of the post opposite the first surface, wherein the contact surfaces of the plurality of posts are substantially in a same plane.

152. The device of claim 150 or 151, wherein a thickness of posts ranges from 1 micron to 100 microns (e.g., from 1 to 5 microns, 5 to 10 microns, 10 to 15 microns, 50 to 25 microns, 25 to 40 microns, 40 to 60 microns, 60 to 80 microns, or 80 to 100 microns).

153. The device of any one of claims 150 to 152, wherein a thickness of the bulk volume is from .5 mm to 5 mm (e.g., from .5 to 1 mm, 1 to 2 mm, 2 to 3 mm, 3 to 4 mm, or 4 to 5 mm).

154. The device of any one of claims 150 to 153, wherein a ratio of a thickness of the posts to a thickness of the bulk volume is from 1:1 to 1:10 (e.g., from 1:1 to 1:2, 1:2 to 1:4, 1:4 to 1:6, 1:6 to 1:8, or 1:8 to 1:10).

155. The device of any one of claims 150 to 154, wherein the bulk volume has a Young's modulus from 1 GPa to 10 GPa (e.g., from 1 to 4 GPa, 4 to 7 GPa, 7 to 10 GPa).

156. The device of any one of claims 150 to 155, wherein the posts have a Young's modulus from 1 MPa to 10 MPa (e.g., from 1 to 4 MPa, 4 to 7 MPa, 7 to 10 MPa).

157. The device of any one of claims 150 to 156, wherein the posts have a first Young's modulus and a base has a second Young's modulus, greater than the first Young's modulus.

158. The device of any one of claims 150 to 157, wherein the bulk volume comprises a polymer having a coefficient of thermal expansion less than or equal to 14.5 ppm.

159. The device of any one of claims 150 to 158, wherein the posts occupy an area selected from 10 cm<sup>2</sup> to 260 cm<sup>2</sup> (e.g., from 10 cm<sup>2</sup> to 40 cm<sup>2</sup>, 40 cm<sup>2</sup> to 80 cm<sup>2</sup>, 120 cm<sup>2</sup> to 160 cm<sup>2</sup>, 160 cm<sup>2</sup> to 200 cm<sup>2</sup>, 200 cm<sup>2</sup> to 240 cm<sup>2</sup>, or 240 cm<sup>2</sup> to 260 cm<sup>2</sup>).

160. The device of any one of claims 150 to 159, wherein each post of the plurality of posts has at least one of a width, length, and height from 50 nanometers to 10 micrometers (e.g., 50 nm

to 100 nm, 100 nm to 200 nm, 200 nm to 400 nm, 400 nm to 600 nm, 600 nm to 800 nm, 800 nm to 1 micron, 1 micron to 5 microns, or 5 microns to 10 microns).

161. The device of any one of claims 150 to 160, wherein the posts are formed in a continuous, unitary layer.

162. The device of any one of claims 150 to 161, wherein the posts comprise a polymer.

163. The device of any one of claims 150 to 162, wherein the bulk volume is Polydimethylsiloxane (PDMS).

164. The device of any one of claims 150 to 163, wherein the bulk volume and the posts are formed from a single material.

165. The device of any one of claims 150 to 164, wherein an aspect ratio (height to width) of each post of the plurality of posts is less than or equal to 4:1 (e.g., from 2:1 to 4:1).

166. The device of any one of claims 150 to 165, wherein the bulk volume has a side surface between the first and second surfaces, the side surface.

167. The device of claim 165, wherein the side surface has a beveled and/or rounded edge.

168. The devices of claim 165, wherein the side surface has a rounded profile (e.g., convex or concave).

169. The device of claim 165, wherein the side surface has a beveled edge forming an angle from horizontal (parallel to the first surface) of no greater than  $75^\circ$  (e.g., no greater than  $60^\circ$ , no greater than  $45^\circ$ , no greater than  $30^\circ$ , or no greater than  $15^\circ$ ).

170. The device of any one of claims 150 to 169, wherein at least a portion of the posts are arranged on the first surface from 1 mm to 15 mm away from an edge of the first surface (e.g., from 1 mm to 5 mm or 5 mm to 10 mm, 10 mm to 15 mm from the edge).

171. A conformable transfer device, the transfer device comprising:

a bulk volume having a first surface and a second surface, opposite the first surface;

a plurality of printing posts disposed on the first surface of the bulk volume for picking up printable material;

a plurality of anti-sag posts disposed on the first surface of the bulk volume for preventing the first surface of the bulk volume from sagging and inadvertently picking up printable material when printable material is picked up by the plurality of printing posts, wherein the plurality of printing posts and the bulk volume are arranged such that a force applied to the second surface of the bulk volume is transmitted to the plurality of printing posts.

172. The device of claim 171, wherein the plurality of printing posts and the plurality of anti-sag posts are disposed on a connecting layer positioned between the plurality of printing posts and the plurality of anti-sag posts.

173. The device of claim 172, wherein the connecting layer comprises a thin metal layer.

174. The device of any one of claims 171 to 173, wherein each of the plurality of posts comprises a contact surface on the end of the post opposite the first surface, wherein the contact surfaces of the plurality of posts are substantially in a same plane.

175. The device of any one of claims 171 to 174, wherein a thickness of the printing posts is from 1 micron to 100 microns (e.g., from 1 to 5 microns, 5 to 10 microns, 10 to 15 microns, 50 to 25 microns, 25 to 40 microns, 40 to 60 microns, 60 to 80 microns, or 80 to 100 microns).

176. The device of any one of claims 171 to 175, wherein a thickness of the bulk volume is from .5 mm to 5 mm (e.g., from .5 to 1 mm, 1 to 2 mm, 2 to 3 mm, 3 to 4 mm, or 4 to 5 mm).

177. The device of any one of claims 171 to 176, wherein a ratio of a thickness of the printing posts to a thickness of the bulk volume is from 1:1 to 1:10 (e.g., from 1:1 to 1:2, 1:2 to 1:4, 1:4 to 1:6, 1:6 to 1:8, or 1:8 to 1:10).

178. The device of any one of claims 171 to 177, wherein the bulk volume has a Young's modulus from 1 GPa to 10 GPa (e.g., from 1 to 4 GPa, 4 to 7 GPa, 7 to 10 GPa).

179. The device of any one of claims 171 to 178, wherein the printing posts have a Young's modulus from 1 MPa to 10 MPa (e.g., from 1 to 4 MPa, 4 to 7 MPa, 7 to 10 MPa).

180. The device of any one of claims 171 to 179, wherein the printing posts have a first Young's modulus and the bulk volume has a second Young's modulus, greater than the first Young's modulus.

181. The device of any one of claims 171 to 180, wherein the bulk volume comprises a polymer having a coefficient of thermal expansion less than or equal to 14.5 ppm.

182. The device of any one of claims 171 to 181, wherein the printing posts occupy an area selected from 10 cm<sup>2</sup> to 260 cm<sup>2</sup> (e.g., from 10 cm<sup>2</sup> to 40 cm<sup>2</sup>, 40 cm<sup>2</sup> to 80 cm<sup>2</sup>, 120 cm<sup>2</sup> to 160 cm<sup>2</sup>, 160 cm<sup>2</sup> to 200 cm<sup>2</sup>, 200 cm<sup>2</sup> to 240 cm<sup>2</sup>, or 240 cm<sup>2</sup> to 260 cm<sup>2</sup>).

183. The device of any one of claims 171 to 182, wherein each of the printing posts has at least one of a width, length, and height from 50 nanometers to 10 micrometers (e.g., 50 nm to 100 nm, 100 nm to 200 nm, 200 nm to 400 nm, 400 nm to 600 nm, 600 nm to 800 nm, 800 nm to 1 micron, 1 micron to 5 microns, or 5 microns to 10 microns).

184. The device of any one of claims 171 to 183, wherein the printing posts are formed in a continuous, unitary layer.

185. The device of any one of claims 171 to 184, wherein the printing posts comprise a polymer.

186. The device of any one of claims 171 to 185, wherein the bulk volume is Polydimethylsiloxane (PDMS).

187. The device of any one of claims 171 to 186, wherein the bulk volume and the printing posts are formed from a single material.

188. The device of any one of claims 171 to 187, wherein the anti-sag posts are interspersed between the printing posts.

189. The device of any one of claims 171 to 188, wherein the plurality of anti-sage posts have a greater modulus than the printing posts.

190. The device of any one of claims 171 to 189, wherein an aspect ratio (height to width) of each post of the posts is less than or equal to 4:1 (e.g., from 2:1 to 4:1).

191. The device of any one of claims 171 to 190, wherein a least a portion of the posts are arranged on the first surface from 1 mm to 15 mm away from a edge of the first surface (e.g., from 1 mm to 5 mm or 5 mm to 10 mm, 10 mm to 15 mm from the edge).

192. The device of any one of claims 171 to 191, wherein the bulk volume has a side surface between the first and second surfaces, the side surface.

193. The device of claim 192, wherein the side surfaces has a beveled and/or rounded edge.

194. The devices of claim 192, wherein the side surface has a rounded profile (e.g., convex or concave).

195. The device of claim 192, wherein the side surface has a beveled edge forming an angle from horizontal (parallel to the first surface) of no greater than  $75^\circ$  (e.g., no greater than  $60^\circ$ , no greater than  $45^\circ$ , no greater than  $30^\circ$ , or no greater than  $15^\circ$ ).

196. A conformable transfer device, the transfer device comprising:  
a bulk volume having a first surface and a second surface, opposite the first surface; and  
a plurality of posts disposed on the first surface of the bulk volume for picking up printable material, wherein the plurality of posts and the bulk volume are arranged such that a force applied to the second surface of the bulk volume is transmitted to the plurality of posts, wherein a portion of the area of the first surface unoccupied by the plurality of posts comprises a roughened area (e.g., thereby anti-sagging).

197. The device of claim 196, wherein the roughened area comprises a plurality of features, each feature having a width less than the width of each post and a height less than the height of each post.

198. The device of claim 196 or 197, wherein the roughened area is located on the first surface between the posts.

199. The device of any one of claims 196 to 198, wherein the roughened area comprises a patterned array of features.

200. The device of any one of claims 196 to 199, wherein the roughened area comprises a random array of features.

201. The device of any one of claims 196 to 200, wherein each of the plurality of posts comprises a contact surface on the end of the post opposite the first surface, wherein the contact surfaces of the plurality of posts are substantially in a same plane.

202. The device of any one of claims 196 to 201, wherein a thickness of posts is from 1 micron to 100 microns (e.g., from 1 to 5 microns, 5 to 10 microns, 10 to 15 microns, 50 to 25 microns, 25 to 40 microns, 40 to 60 microns, 60 to 80 microns, or 80 to 100 microns).

203. The device of any one of claims 196 to 202, wherein a thickness of the bulk volume is from .5 mm to 5 mm microns (e.g., from .5 to 1 mm, 1 to 2 mm, 2 to 3 mm, 3 to 4 mm, or 4 to 5 mm).

204. The device of any one of claims 196 to 203, wherein a ratio of a thickness of the posts and a thickness of the bulk volume is from 1:1 to 1:10 (e.g., from 1:1 to 1:2, 1:2 to 1:4, 1:4 to 1:6, 1:6 to 1:8, or 1:8 to 1:10).

205. The device of any one of claims 196 to 204, wherein the bulk volume has a Young's modulus from 1 GPa to 10 GPa (e.g., from 1 to 4 GPa, 4 to 7 GPa, 7 to 10 GPa).

206. The device of any one of claims 196 to 205, wherein the posts have a Young's modulus from 1 MPa to 10 MPa (e.g., from 1 to 4 MPa, 4 to 7 MPa, 7 to 10 MPa).

207. The device of any one of claims 196 to 206, wherein the posts have a first Young's modulus and the bulk volume has a second Young's modulus, greater than the first Young's modulus.

208. The device of any one of claims 196 to 207, wherein the bulk volume comprises a polymer having a coefficient of thermal expansion less than or equal to 14.5 ppm.

209. The device of any one of claims 196 to 208, wherein the posts occupy an area selected from 10 cm<sup>2</sup> to 260 cm<sup>2</sup> (e.g., from 10 cm<sup>2</sup> to 40 cm<sup>2</sup>, 40 cm<sup>2</sup> to 80 cm<sup>2</sup>, 120 cm<sup>2</sup> to 160 cm<sup>2</sup>, 160 cm<sup>2</sup> to 200 cm<sup>2</sup>, 200 cm<sup>2</sup> to 240 cm<sup>2</sup>, or 240 cm<sup>2</sup> to 260 cm<sup>2</sup>).

210. The device of any one of claims 196 to 209, wherein each of the posts has at least one of a width, length, and height from 50 nanometers to 10 micrometers.

211. The device of any one of claims 196 to 210, wherein the posts are formed in a continuous, unitary layer.
212. The device of any one of claims 196 to 211, wherein the posts comprise a polymer.
213. The device of any one of claims 196 to 212, wherein the bulk volume is PDMS.
214. The device of any one of claims 196 to 213, wherein the bulk volume and the posts are formed from a single material.
215. The device of any one of claims 196 to 214, wherein the conformable transfer device is a visco-elastomeric stamp.
216. The device of any one of claims 196 to 215, wherein the conformable transfer device is an elastomeric stamp.
217. The device of claim 216, wherein the elastomer stamp is made of Polydimethylsiloxane (PDMS).
218. The device of any one of claims 196 to 217, wherein an aspect ratio (height to width) of each post of the posts is less than or equal to 4:1 (e.g., from 2:1 to 4:1).

219. The device of any one of claims 196 to 218, wherein the posts are arranged on the first surface from 1 mm to 15 mm away from a edge of the first surface (e.g., from 1 mm to 5 mm or 5 mm to 10 mm, 10 mm to 15 mm from the edge).

220. The device of any one of claims 196 to 219, wherein the bulk volume has a side surface between the first and second surfaces, the side surface.

221. The device of claim 220, wherein the side surfaces has a beveled and/or rounded edge.

222. The devices of claim 220, wherein the side surface has a rounded profile (e.g., convex or concave).

223. The device of claim 220, wherein the side surface has a beveled edge forming an angle from horizontal (parallel to the first surface) of no greater than  $75^\circ$  (e.g., no greater than  $60^\circ$ , no greater than  $45^\circ$ , no greater than  $30^\circ$ , or no greater than  $15^\circ$ ).

224. A conformable transfer device, the transfer device comprising:

a base comprising a first material;

a sub-base comprising a second material and disposed on the base (e.g., wherein the sub-base has a smaller cross-sectional area than the base);

a bulk volume comprising a material different from the base and the sub-base and disposed at least partly on the sub-base (e.g., and also at least partly at the base), wherein a thickness of a portion of the bulk volume that is disposed on the sub-base is less than a thickness of the sub-base; and

a plurality of posts disposed on the bulk volume, opposite and above the sub-base, for picking up printable material, wherein the plurality of posts, the base, the sub-base, and the bulk volume are arranged such that a force applied to a surface of the base opposite the sub-base is transmitted to the plurality of posts.

225. The device of claim 224, wherein the first material comprises glass.

226. The device of claim 224 or 225, wherein the first and second materials are the same.

227. The device of any one of claims 224 to 226, wherein the bulk volume and the plurality of posts are formed from a single material.

228. The device of any one of claims 224 to 227, wherein the bulk volume comprises a polymer.

229. The device of any one of claims 224 to 228, wherein the first material is transparent.

230. The device of claim any one of claims 224 to 229, wherein the second material is transparent.

231. The device of claim any one of claims 224 to 230, wherein each of the plurality of posts comprises a contact surface on the end of the post opposite the bulk volume, wherein the contact surfaces of the plurality of posts are substantially in a same plane.

232. The device of claim any one of claims 224 to 231, wherein a thickness of the posts is from 1 micron to 100 microns (e.g., from 1 to 5 microns, 5 to 10 microns, 10 to 15 microns, 50 to 25 microns, 25 to 40 microns, 40 to 60 microns, 60 to 80 microns, or 80 to 100 microns).

233. The device of any one of claims 224 to 232, wherein a thickness of the bulk volume is from .5 mm to 5 mm (e.g., from .5 to 1 mm, 1 to 2 mm, 2 to 3 mm, 3 to 4 mm, or 4 to 5 mm).

234. The device of any one of claims 224 to 233, wherein a ratio of a thickness of the posts to a thickness of the bulk volume is from 1:1 to 1:10 (e.g., from 1:1 to 1:2, 1:2 to 1:4, 1:4 to 1:6, 1:6 to 1:8, or 1:8 to 1:10).

235. The device of any one of claims 224 to 234, wherein the bulk volume has a Young's modulus from 1 GPa to 10 GPa (e.g., from 1 to 4 GPa, 4 to 7 GPa, 7 to 10 GPa).

236. The device of any one of claims 224 to 235, wherein the posts have a Young's modulus from 1 MPa to 10 MPa (e.g., from 1 to 4 MPa, 4 to 7 MPa, 7 to 10 MPa).

237. The device of any one of claims 1 to 236, wherein the posts have a first Young's modulus and the base has a second Young's modulus, greater than the first Young's modulus.

238. The device of any one of claims 224 to 237, wherein the bulk volume comprises a polymer having a coefficient of thermal expansion less than or equal to 14.5 ppm.

239. The device of any one of claims 224 to 238, wherein the posts occupy an area selected from 10 cm<sup>2</sup> to 260 cm<sup>2</sup> (e.g., from 10 cm<sup>2</sup> to 40 cm<sup>2</sup>, 40 cm<sup>2</sup> to 80 cm<sup>2</sup>, 120 cm<sup>2</sup> to 160 cm<sup>2</sup>, 160 cm<sup>2</sup> to 200 cm<sup>2</sup>, 200 cm<sup>2</sup> to 240 cm<sup>2</sup>, or 240 cm<sup>2</sup> to 260 cm<sup>2</sup>).

240. The device of any one of claims 224 to 239, wherein each post of the plurality of posts has at least one of a width, length, and height from 50 nanometers to 10 micrometers (e.g., 50 nm to 100 nm, 100 nm to 200 nm, 200 nm to 400 nm, 400 nm to 600 nm, 600 nm to 800 nm, 800 nm to 1 micron, 1 micron to 5 microns, or 5 microns to 10 microns).

241. The device of any one of claims 224 to 240, wherein the posts are formed in a continuous, unitary layer.

242. The device of any one of claims 224 to 241, wherein the posts comprise a polymer.

243. The device of any one of claims 224 to 242, wherein the bulk volume is Polydimethylsiloxane (PDMS).

244. The device of any one of claims 224 to 243, wherein the bulk volume has a greater modulus than the posts.

245. The device of any one of claims 224 to 244, wherein an aspect ratio (height to width) of each post of the posts is less than or equal to 4:1 (e.g., from 2:1 to 4:1).

246. The device of any one of claims 224 to 245, wherein at least a portion of the posts are arranged on the first surface from 1 mm to 15 mm away from an edge of the first surface (e.g., from 1 mm to 5 mm or 5 mm to 10 mm, 10 mm to 15 mm from the edge).

247. The device of any one of claims 224 to 246, wherein the bulk volume has a side surface between the first and second surfaces, the side surface.

248. The device of claim 247, wherein the side surface has a beveled and/or rounded edge.

249. The devices of claim 247, wherein the side surface has a rounded profile (e.g., convex or concave).

250. The device of claim 247, wherein the side surface has a beveled edge forming an angle from horizontal (parallel to the first surface) of no greater than  $75^\circ$  (e.g., no greater than  $60^\circ$ , no greater than  $45^\circ$ , no greater than  $30^\circ$ , or no greater than  $15^\circ$ ).

251. A conformable transfer device, the transfer device comprising:

a bulk volume having a first surface and a second surface, opposite the first surface, wherein the bulk volume has a first composition; and

a plurality of posts disposed on the first surface of the bulk volume for picking up printable material, wherein the plurality of posts, and the bulk volume are arranged so that a force applied to the second surface of the base by the base is transmitted to the plurality of posts,

wherein at least a part of (e.g., all of each post or a top portion of each post) each post has a second composition different from the first composition.

252. The device of claim 251, wherein at least a part of each post has the second composition .

253. The device of claim 251 or 252, wherein a bottom portion of each post closest to the bulk volume has the second composition.

254. The device of any one of claims 251 to 253, wherein the first composition comprises a polymer.

255. The device of any one of claims 251 to 254, wherein the second composition comprises a polymer.

256. The device of any one of claims 251 to 255, wherein the first composition comprises a hardener.

257. The device of any one of claims 251 to 256, wherein the second composition comprises a hardener.

258. The device of any one of claims 251 to 257, wherein the base is glass.

259. The device of any one of claims 251 to 258, wherein each post of the plurality of posts comprises a contact surface on the end of the post opposite the first surface, wherein the contact surfaces of the plurality of posts are in substantially a same plane.

260. The device of any one of claims 251 to 259, wherein a thickness of the posts is from 1 micron to 100 microns (e.g., from 1 to 5 microns, 5 to 10 microns, 10 to 15 microns, 50 to 25 microns, 25 to 40 microns, 40 to 60 microns, 60 to 80 microns, or 80 to 100 microns).

261. The device of any one of claims 251 to 260, wherein a thickness of the bulk volume is from .5 mm to 5 mm (e.g., from .5 to 1 mm, 1 to 2 mm, 2 to 3 mm, 3 to 4 mm, or 4 to 5 mm).

262. The device of any one of claims 251 to 261, wherein a ratio of a thickness of the posts and a thickness of the bulk volume is from 1:1 to 1:10 (e.g., from 1:1 to 1:2, 1:2 to 1:4, 1:4 to 1:6, 1:6 to 1:8, or 1:8 to 1:10).

263. The device of any one of claims 251 to 262, wherein the bulk volume has a Young's modulus from 1 GPa to 10 GPa (e.g., from 1 to 4 GPa, 4 to 7 GPa, 7 to 10 GPa).

264. The device of any one of claims 251 to 263, wherein the posts have a Young's modulus from 1 MPa to 10 MPa (e.g., from 1 to 4 MPa, 4 to 7 MPa, 7 to 10 MPa).

265. The device of any one of claims 251 to 264, wherein the posts have a first Young's modulus and the base has a second Young's modulus, greater than the first Young's modulus.

266. The device of any one of claims 251 to 265, wherein the bulk volume comprises a polymer having a coefficient of thermal expansion less than or equal to 14.5 ppm.

267. The device of any one of claims 251 to 266, wherein the posts occupy an area selected from 10 cm<sup>2</sup> to 260 cm<sup>2</sup> (e.g., from 10 cm<sup>2</sup> to 40 cm<sup>2</sup>, 40 cm<sup>2</sup> to 80 cm<sup>2</sup>, 120 cm<sup>2</sup> to 160 cm<sup>2</sup>, 160 cm<sup>2</sup> to 200 cm<sup>2</sup>, 200 cm<sup>2</sup> to 240 cm<sup>2</sup>, or 240 cm<sup>2</sup> to 260 cm<sup>2</sup>).

268. The device of any one of claims 251 to 267, wherein each post of the plurality of posts has at least one of a width, length, and height from 50 nanometers to 10 micrometers (e.g., 50 nm to 100 nm, 100 nm to 200 nm, 200 nm to 400 nm, 400 nm to 600 nm, 600 nm to 800 nm, 800 nm to 1 micron, 1 micron to 5 microns, or 5 microns to 10 microns).

269. The device of any one of claims 251 to 268, wherein the posts are formed in a continuous, unitary layer.

270. The device of any one of claims 251 to 269, wherein an aspect ratio (height to width) of each post of the plurality of posts is less than or equal to 4:1 (e.g., from 2:1 to 4:1).

271. The device of any one of claims 251 to 270, wherein at least a portion of the posts are arranged on the first surface from 1 mm to 15 mm away from an edge of the first surface (e.g., from 1 mm to 5 mm or 5 mm to 10 mm, 10 mm to 15 mm from the edge).

272. The device of any one of claims 251 to 271, wherein the bulk volume has a side surface between the first and second surfaces, the side surface.

273. The device of claim 272, wherein the side surface has a beveled and/or rounded edge.

274. The devices of claim 272, wherein the side surface has a rounded profile (e.g., convex or concave).

275. The device of claim 272, wherein the side surface has a beveled edge forming an angle from horizontal (parallel to the first surface) of no greater than  $75^\circ$  (e.g., no greater than  $60^\circ$ , no greater than  $45^\circ$ , no greater than  $30^\circ$ , or no greater than  $15^\circ$ ).

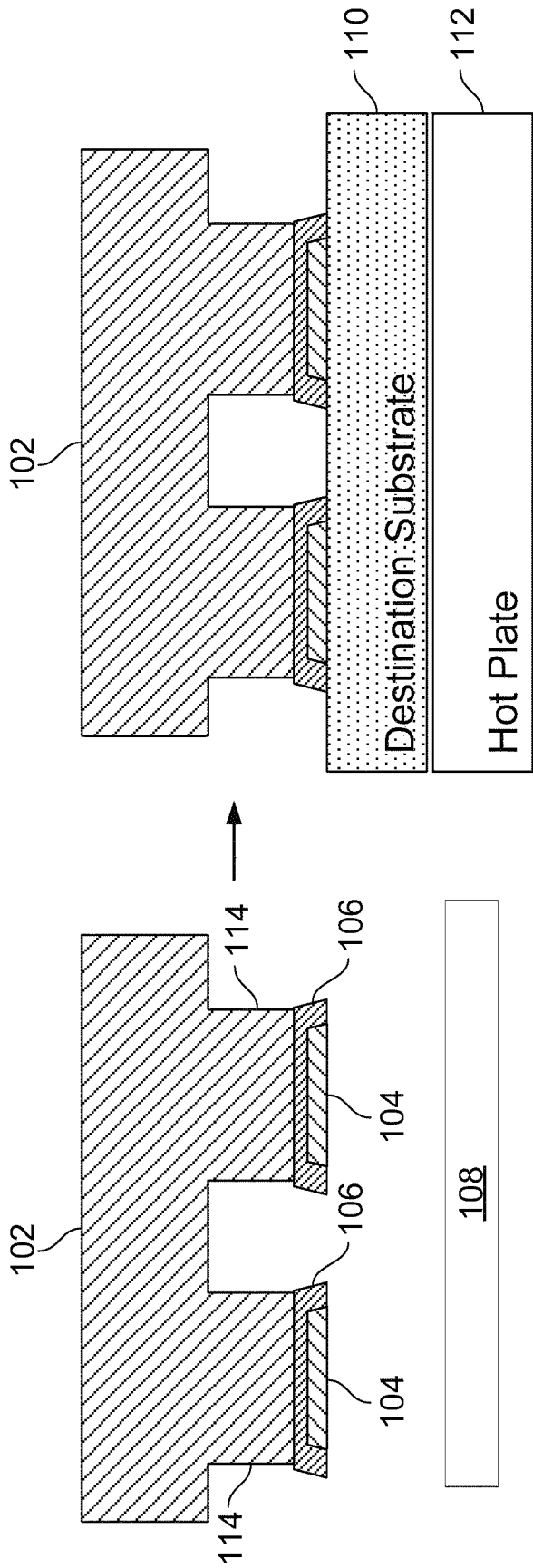


FIG. 1A

FIG. 1B

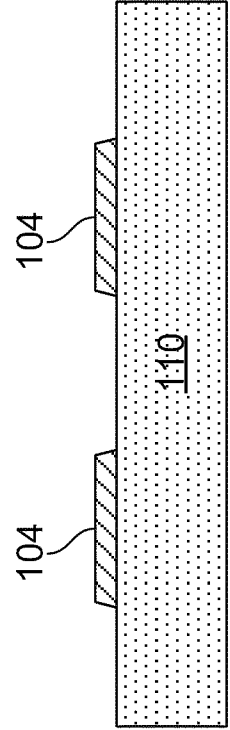


FIG. 1C

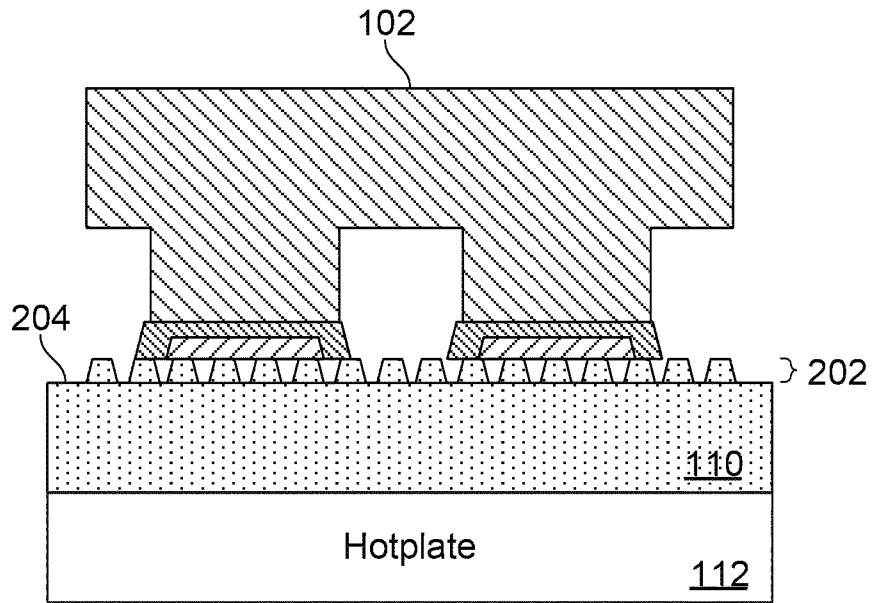


FIG. 2A

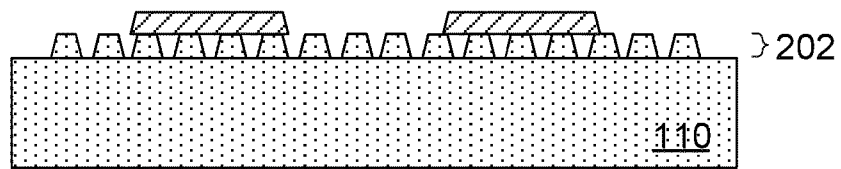


FIG. 2B

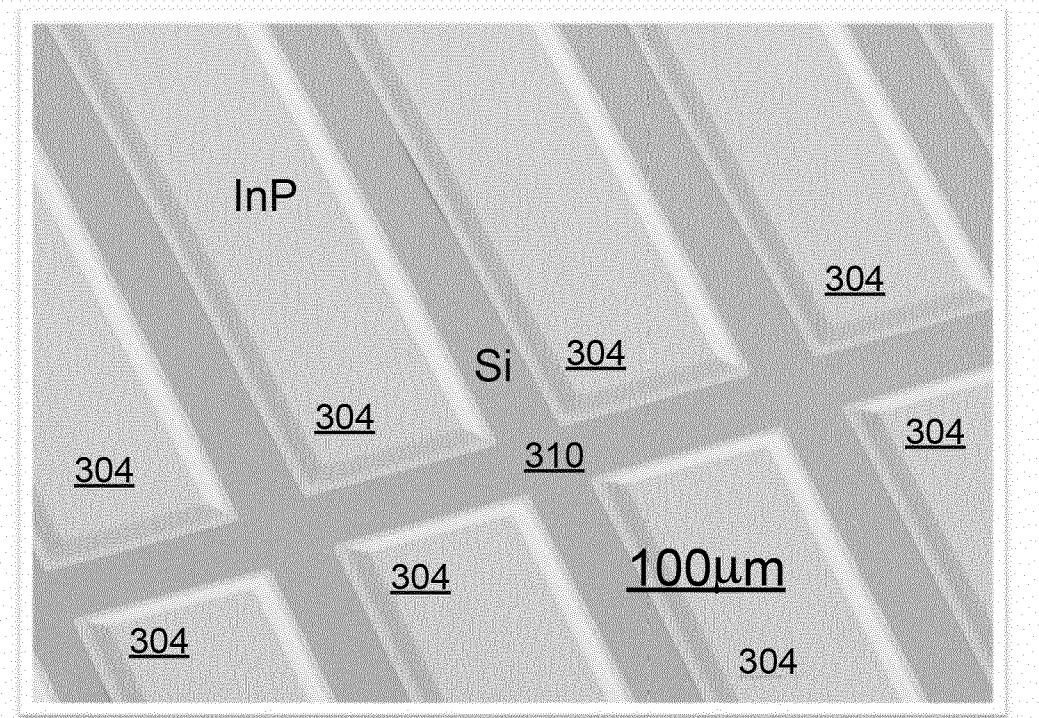


FIG. 3A

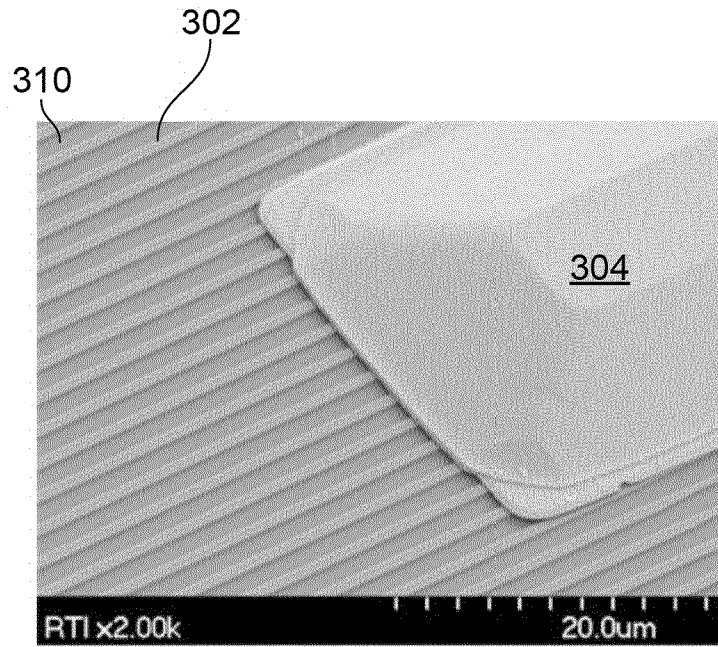
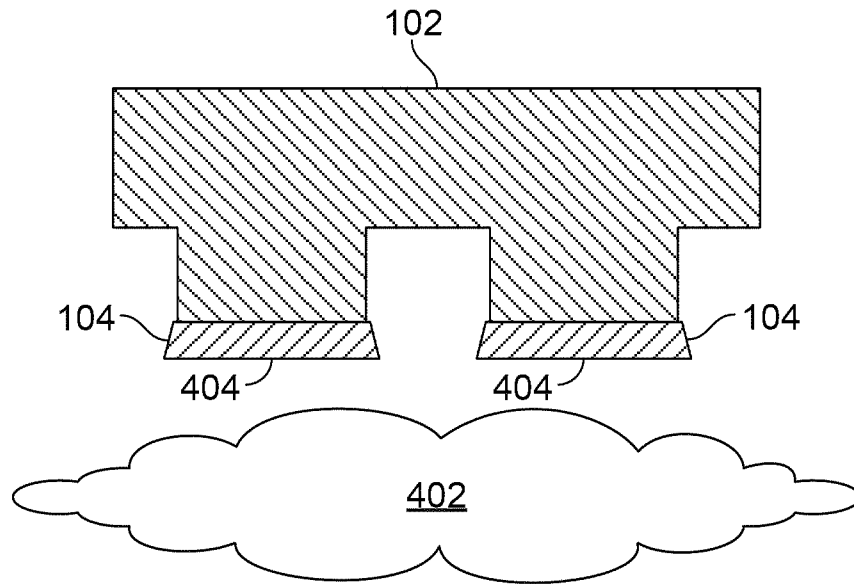
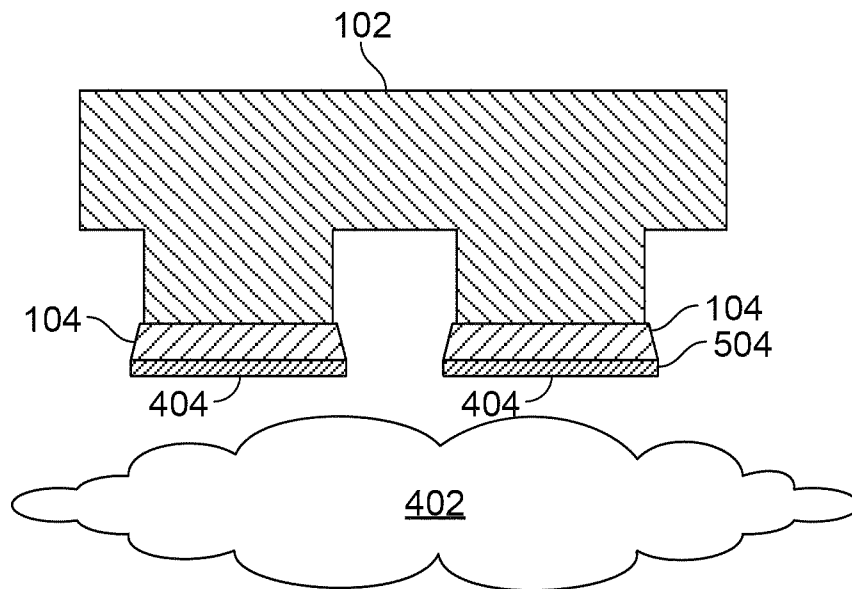


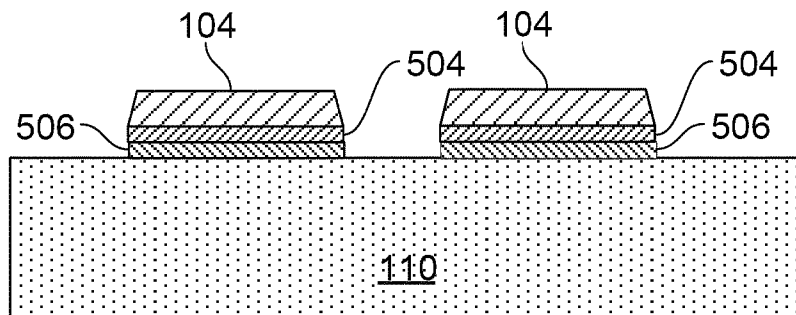
FIG. 3B



**FIG. 4**



**FIG. 5A**



**FIG. 5B**

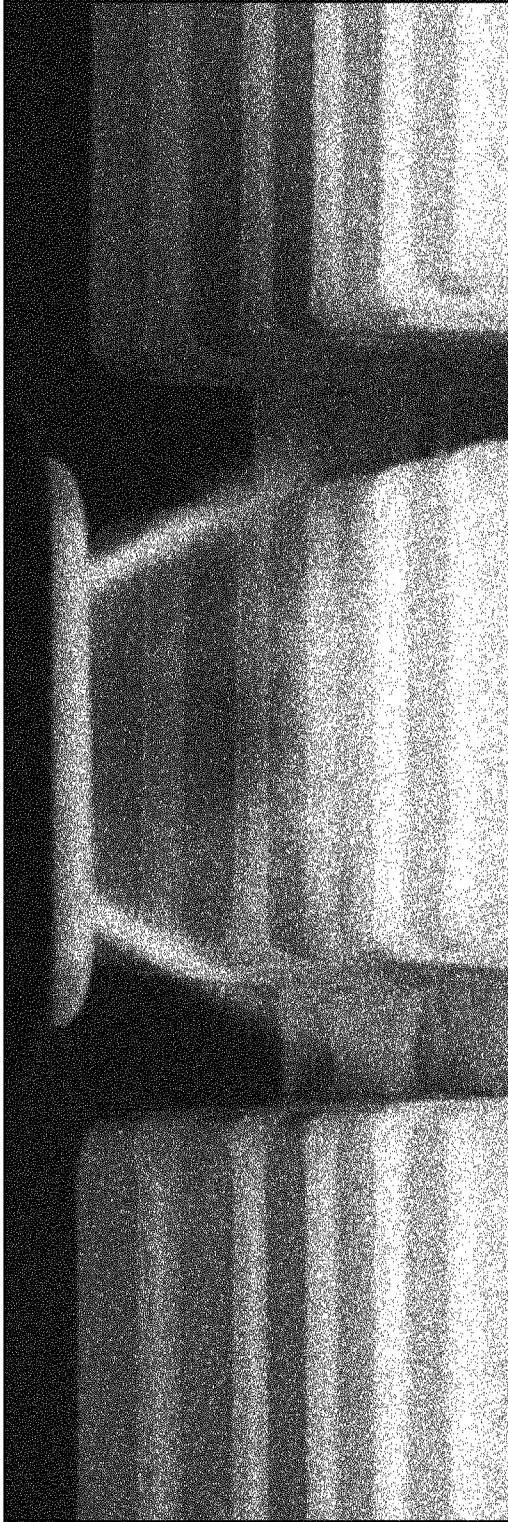


FIG. 6

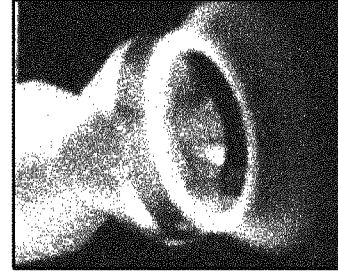


FIG. 7D

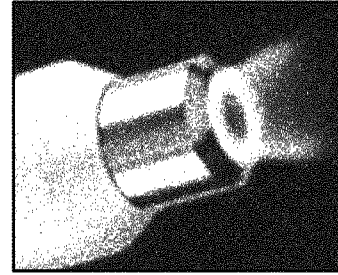


FIG. 7C

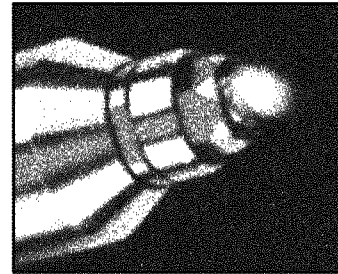


FIG. 7B

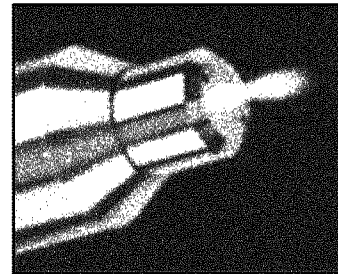


FIG. 7A

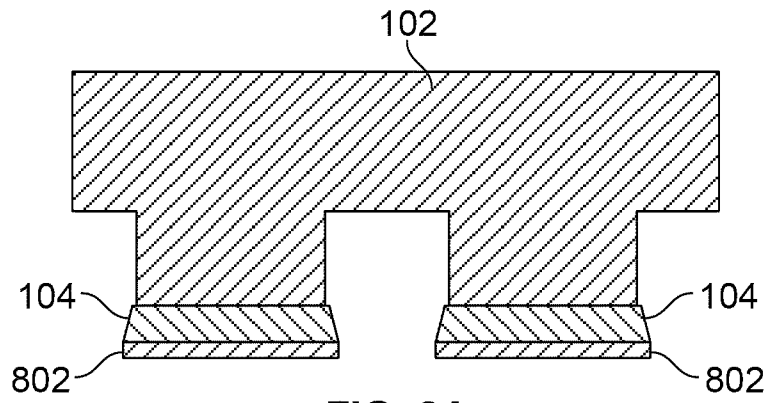


FIG. 8A

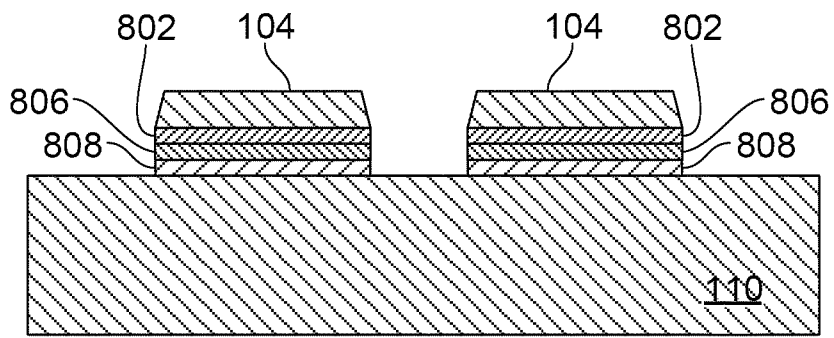


FIG. 8B

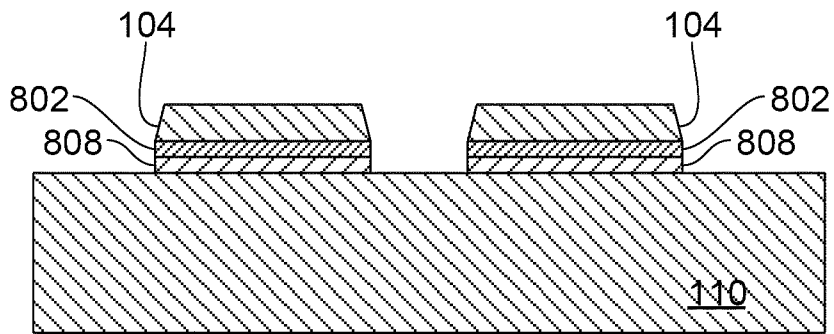


FIG. 8C

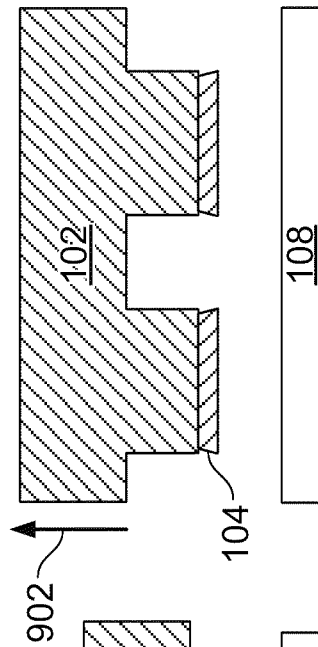


FIG. 9A

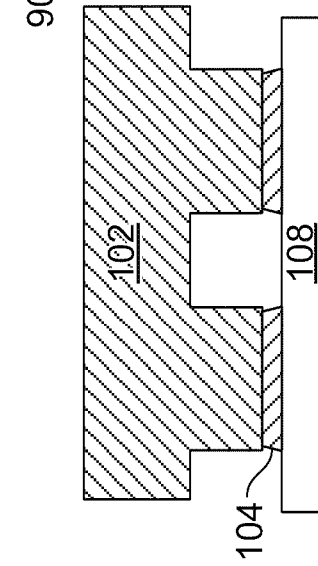


FIG. 9B

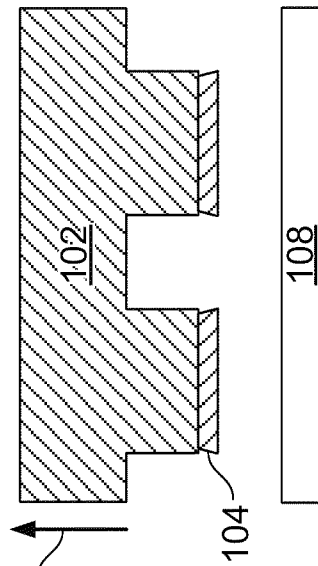


FIG. 9C

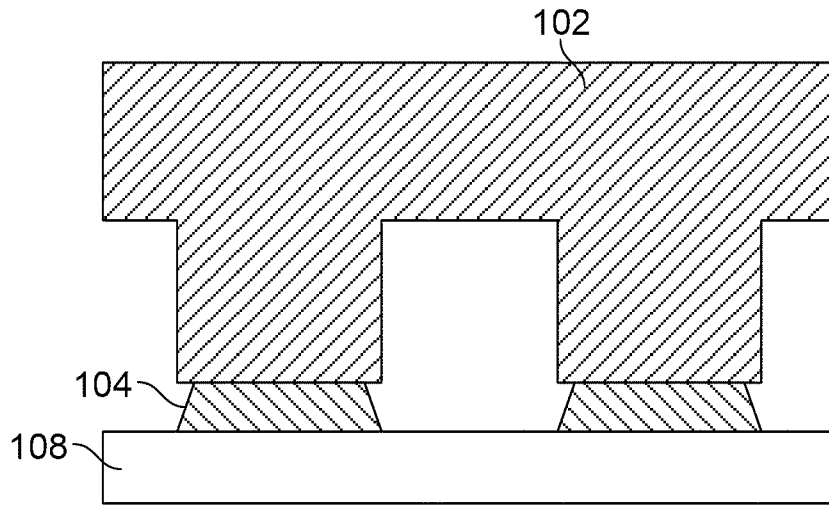


FIG. 10A

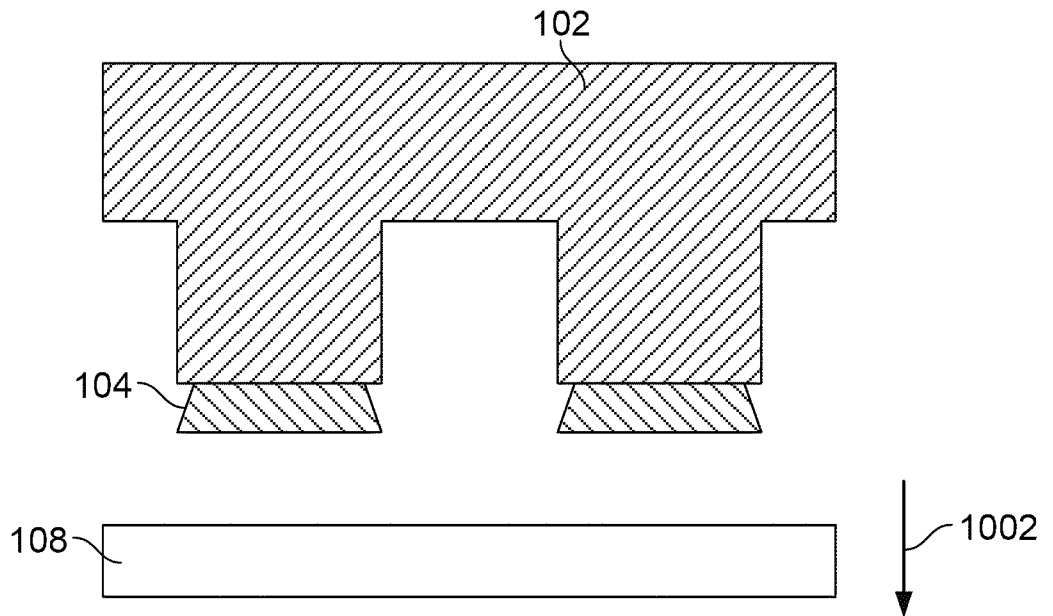


FIG. 10B

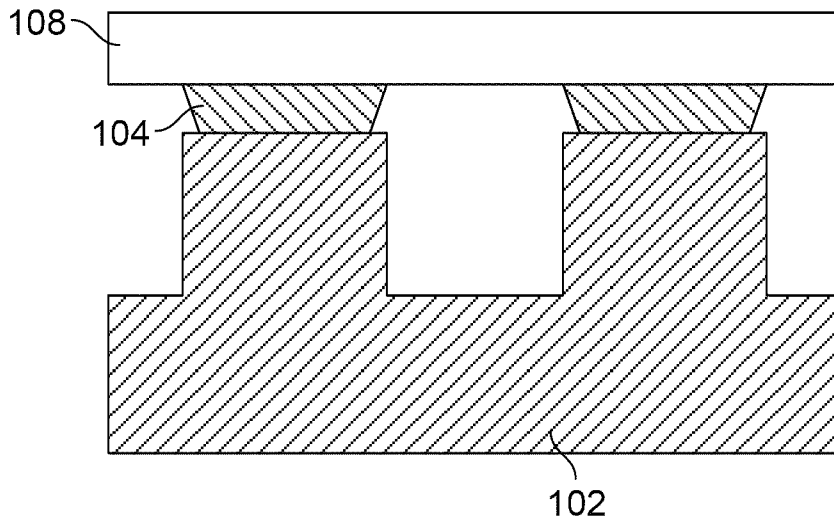


FIG. 11A

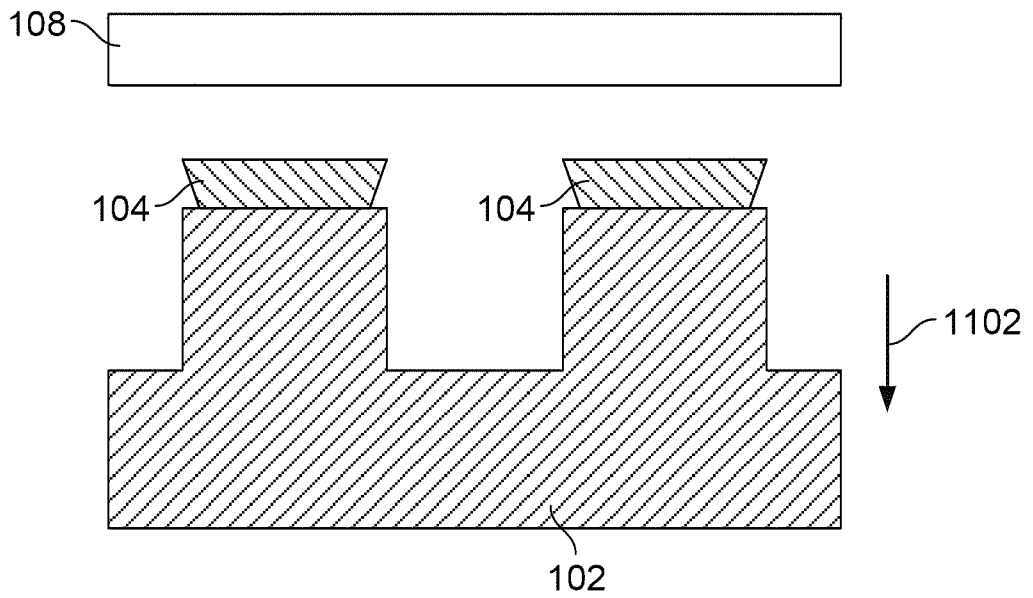
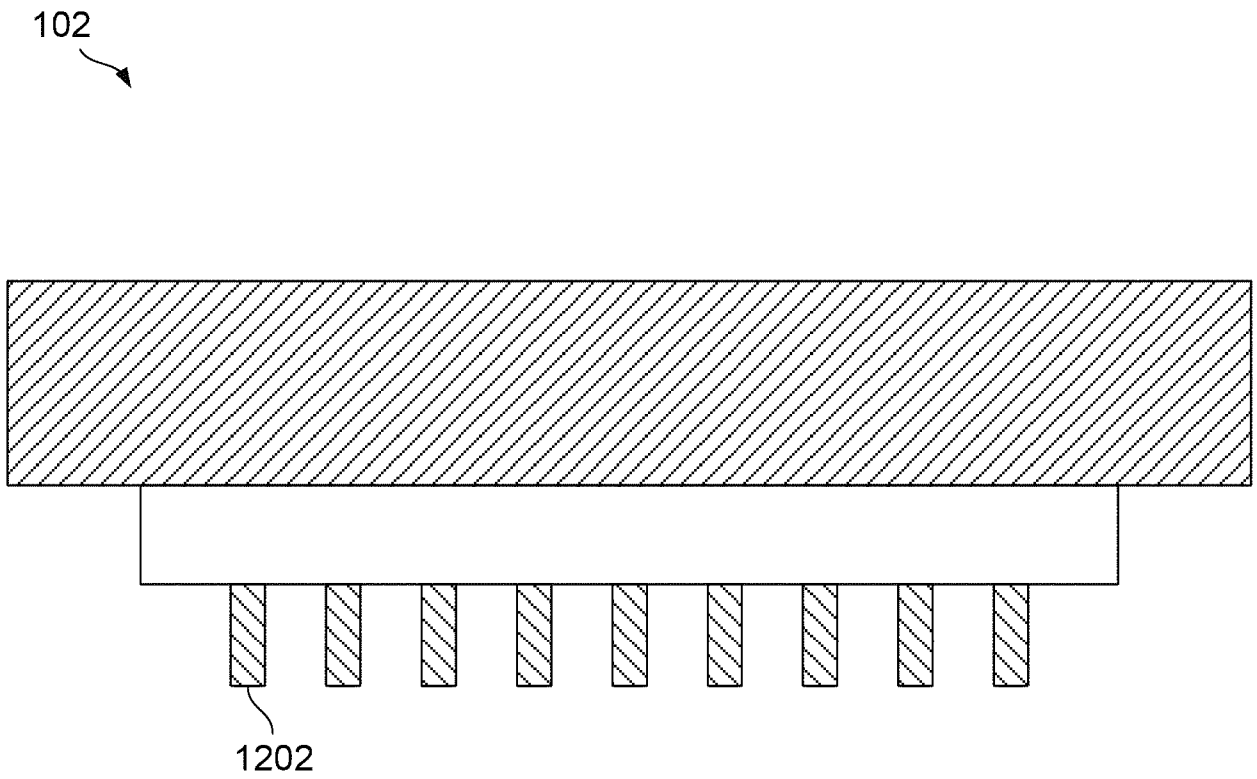


FIG. 11B



**FIG. 12**

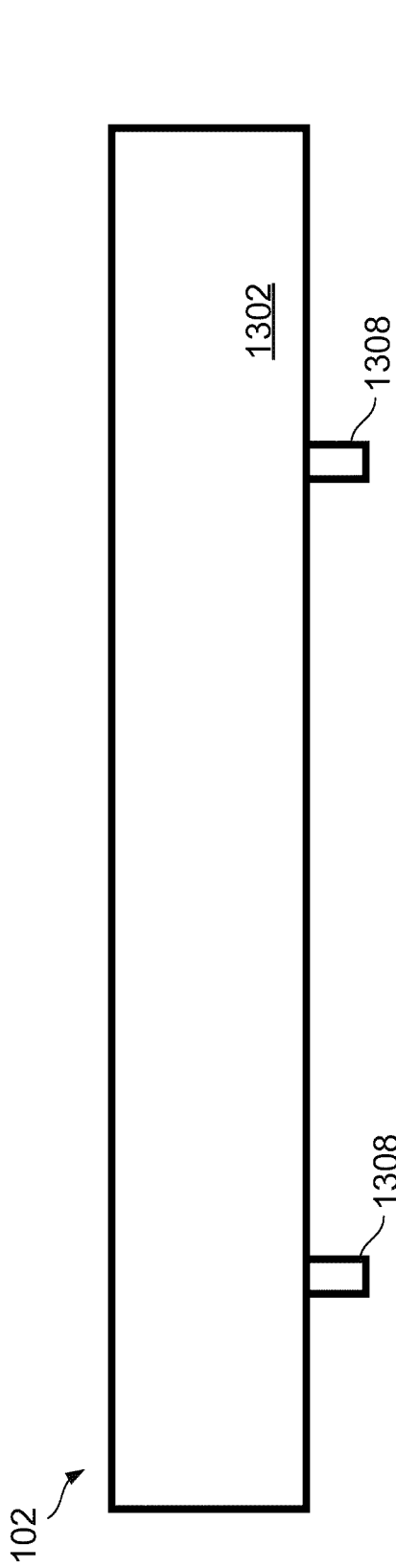


FIG. 13A

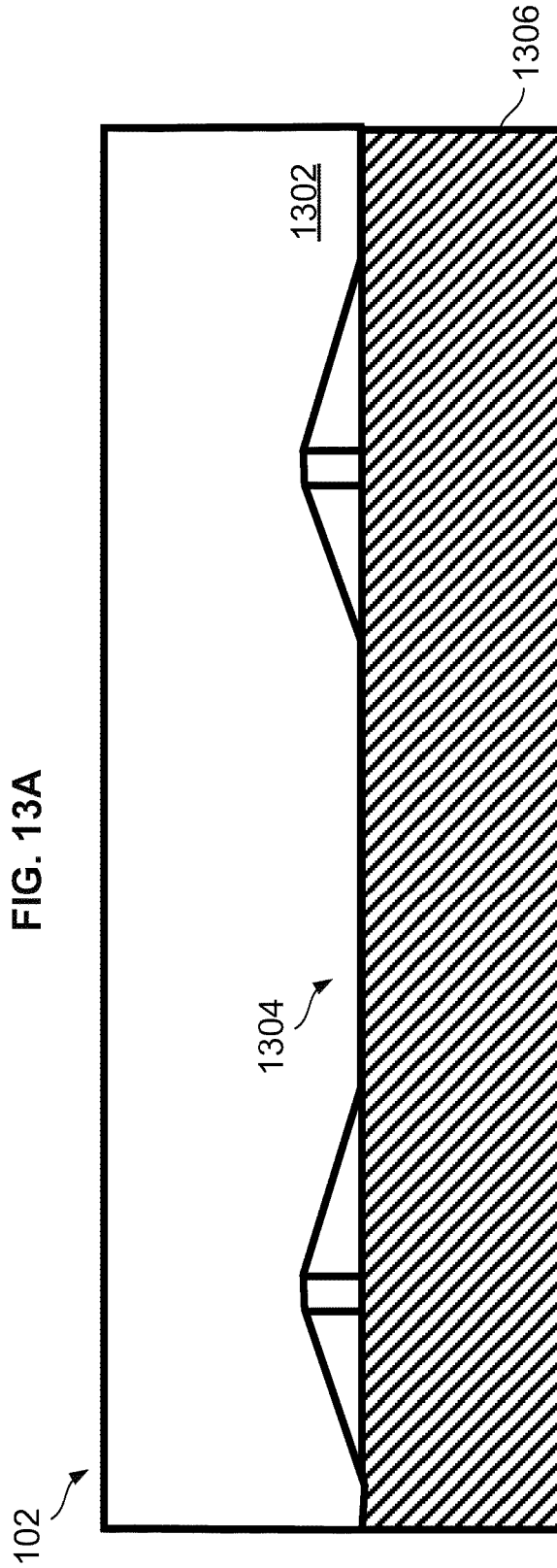


FIG. 13B

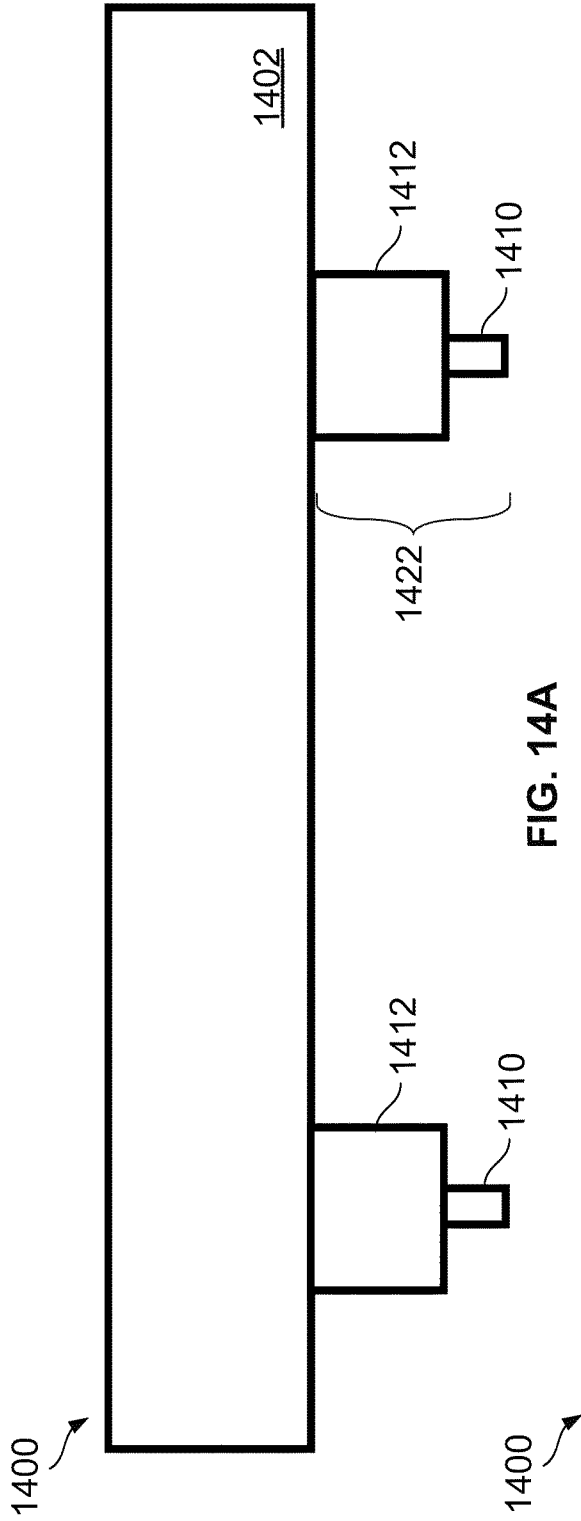


FIG. 14A

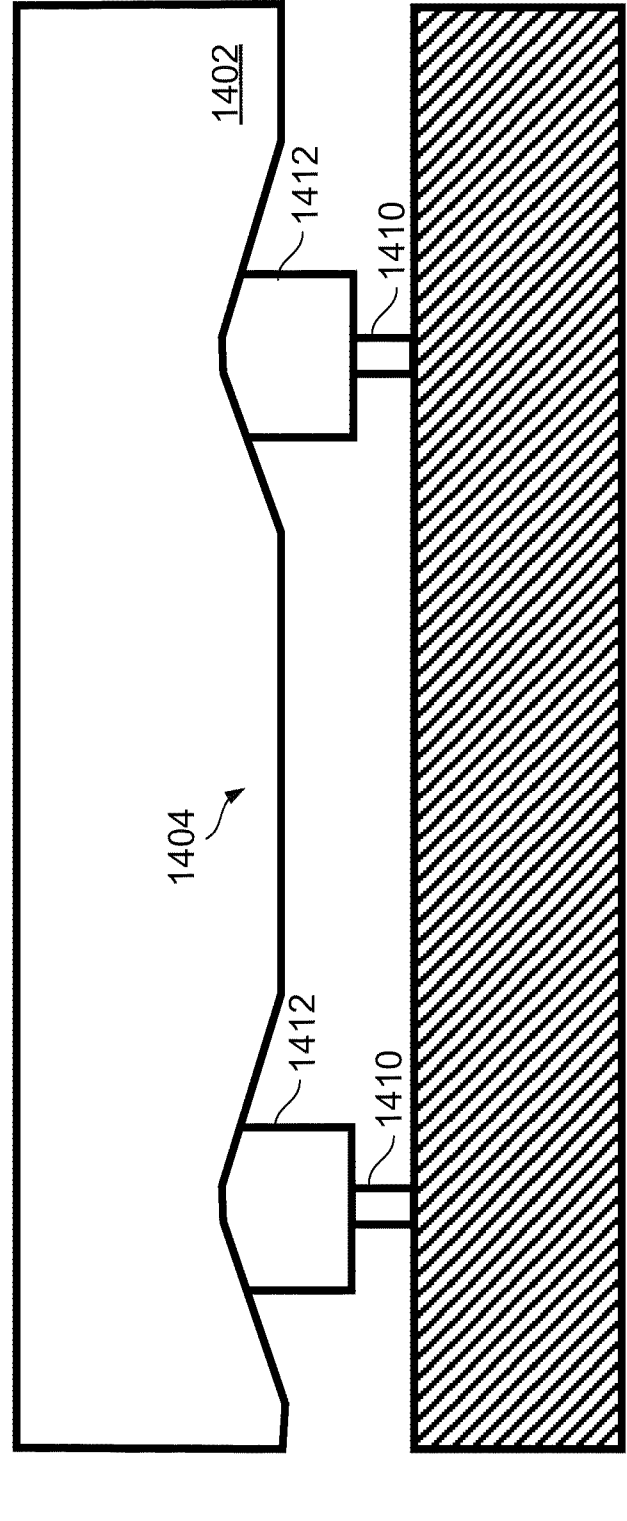


FIG. 14B

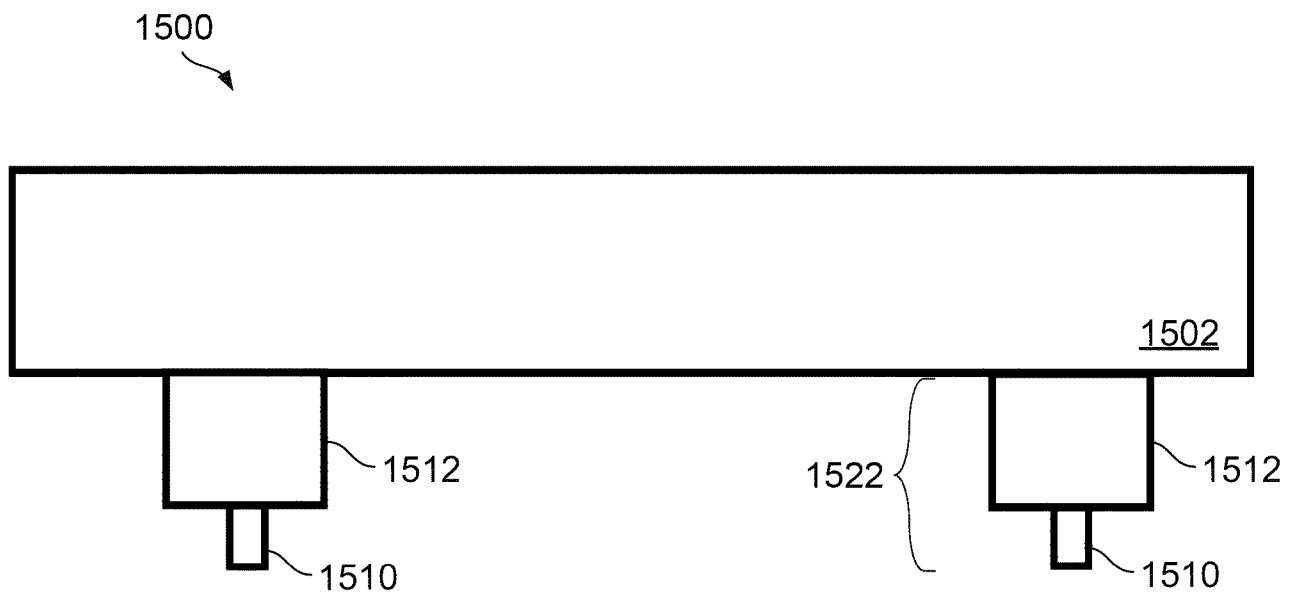
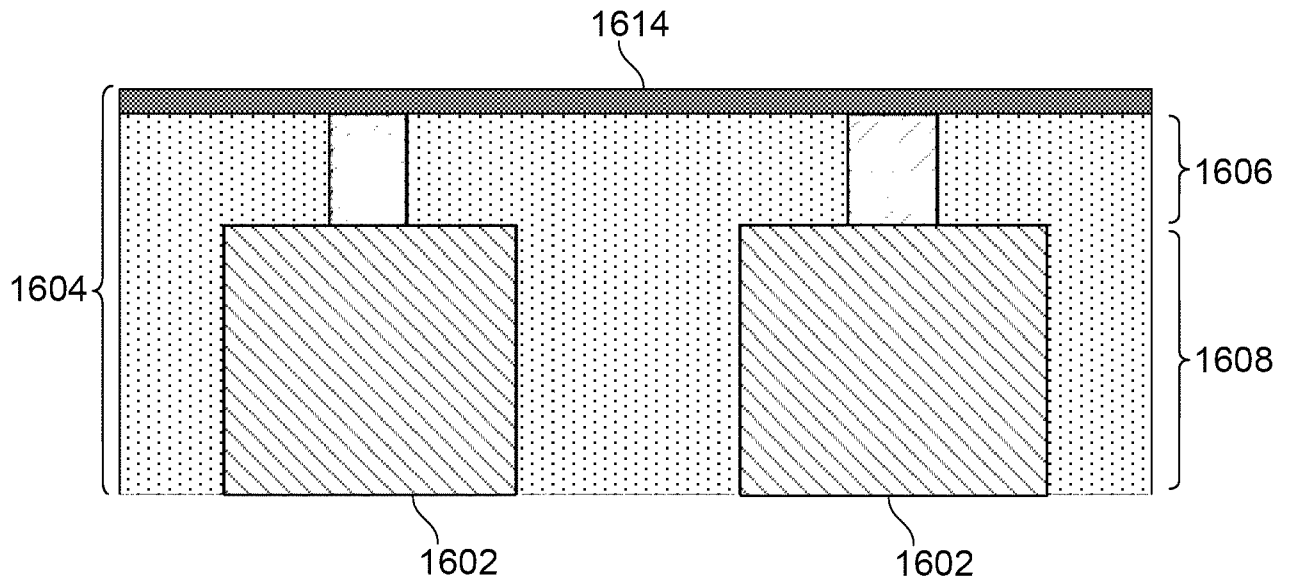
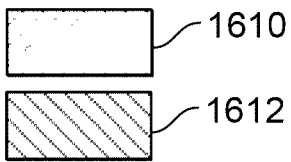


FIG. 15



Legend



**FIG. 16**

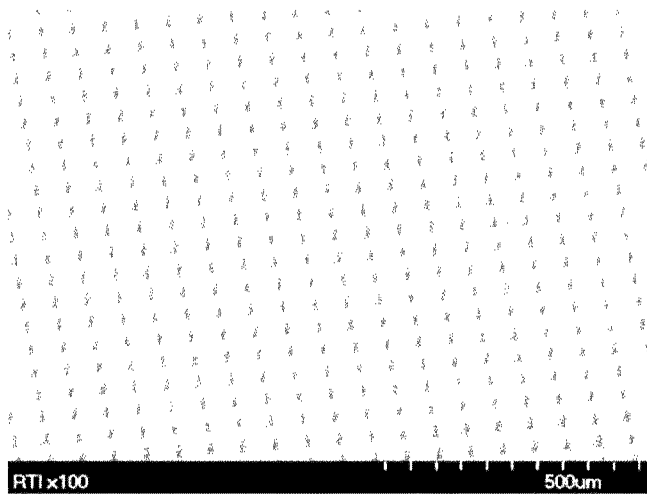


FIG. 17A

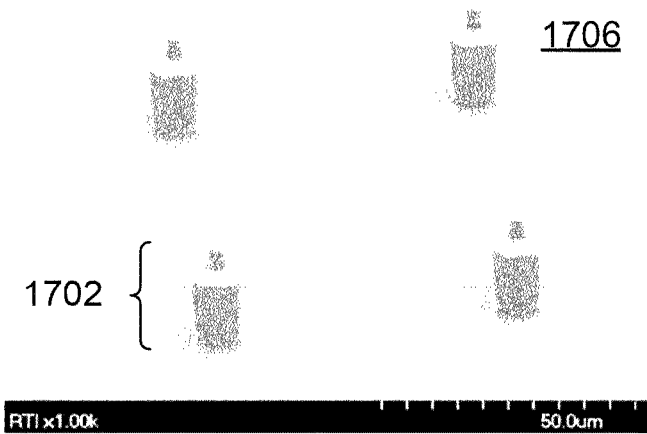


FIG. 17B

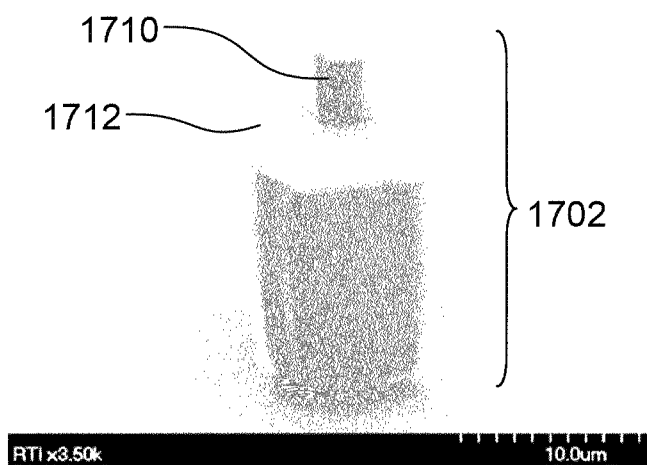
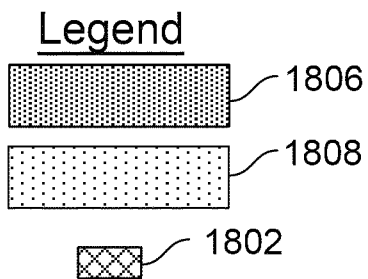
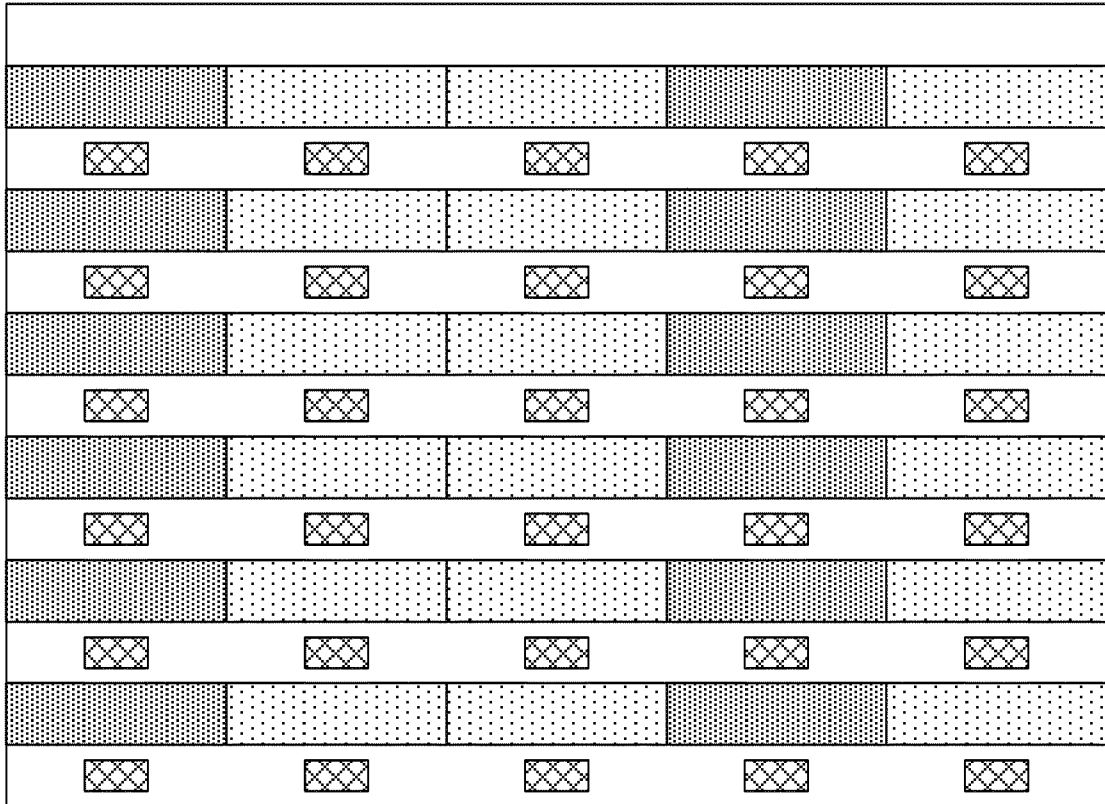


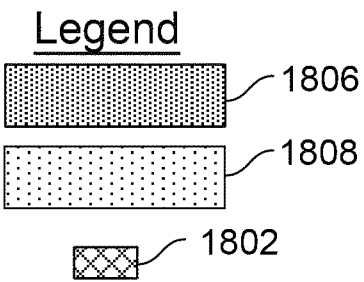
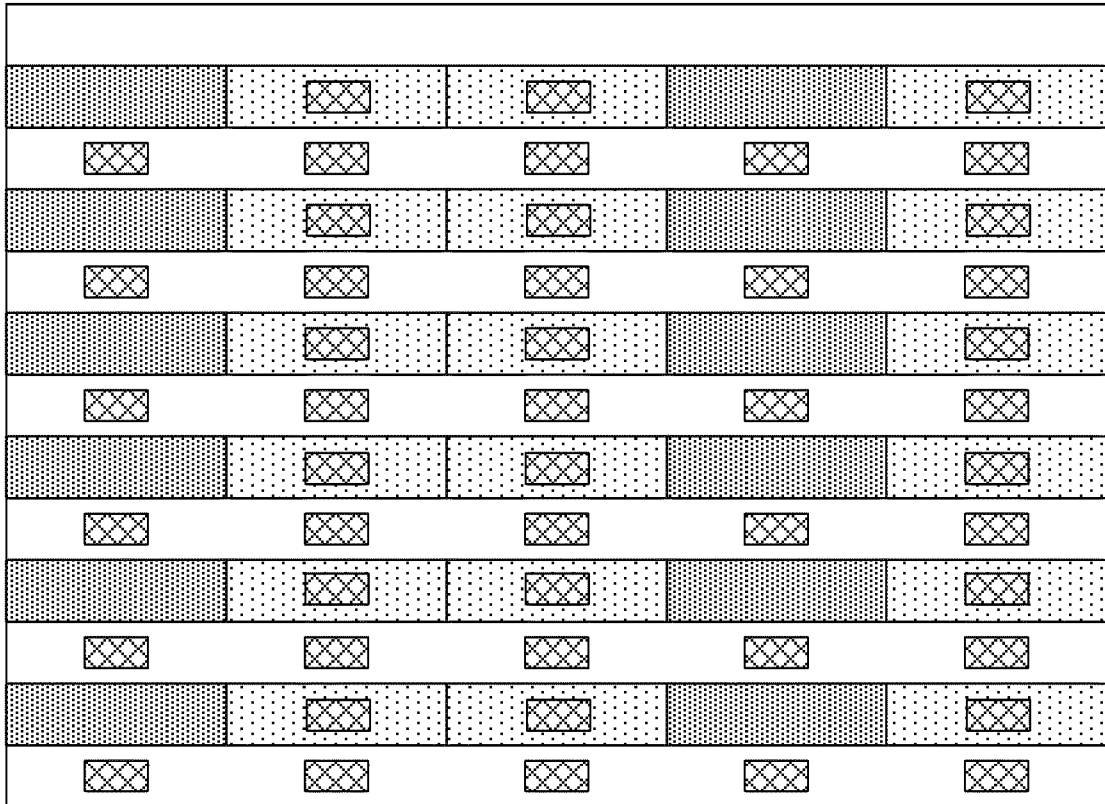
FIG. 17C

102



**FIG. 18**

102



**FIG. 19**

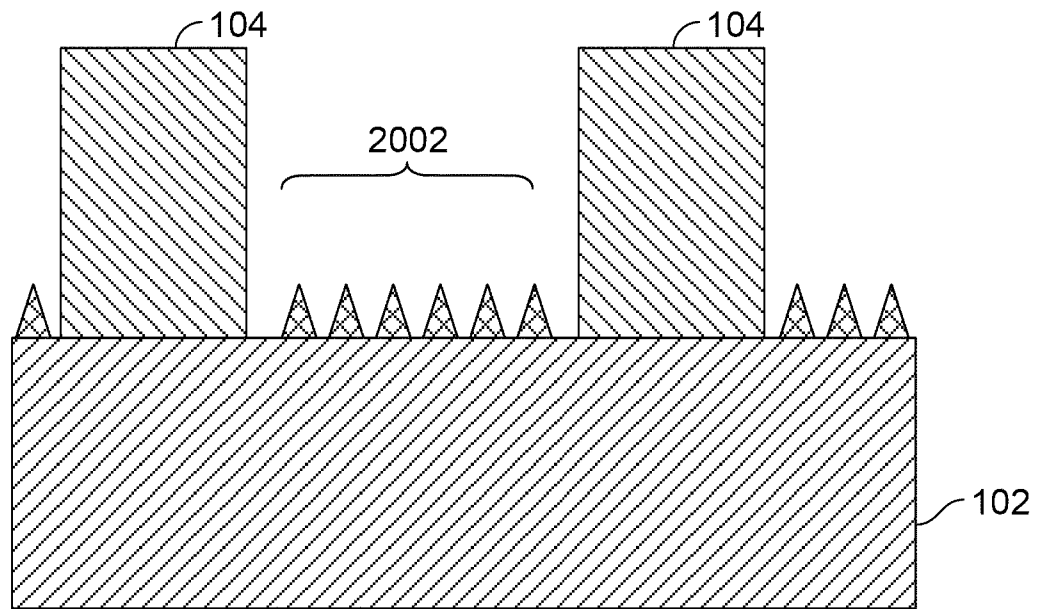


FIG. 20A

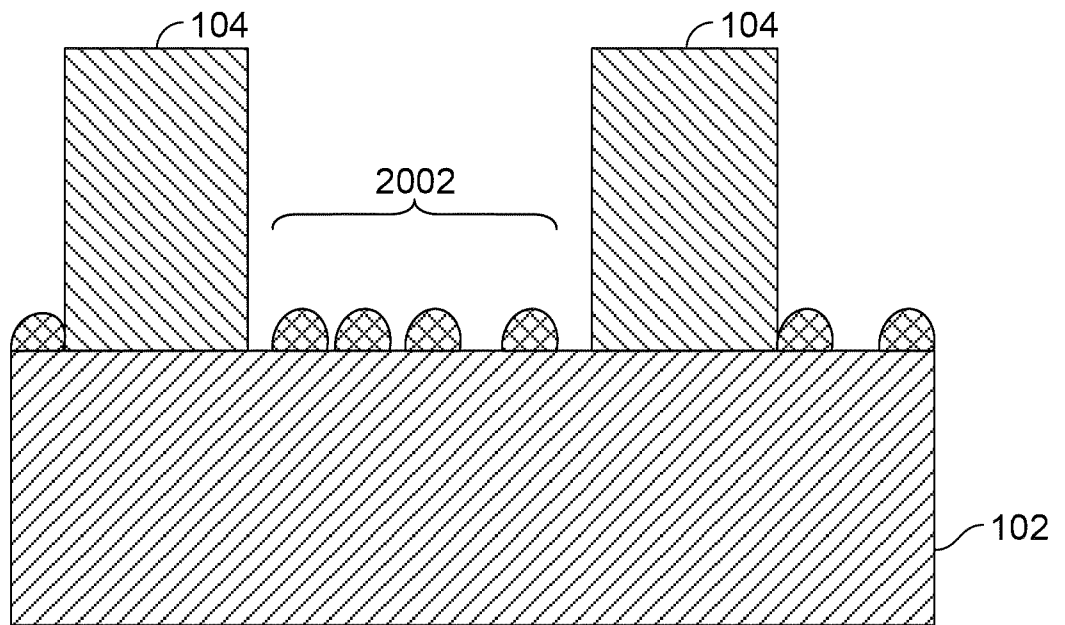


FIG. 20B

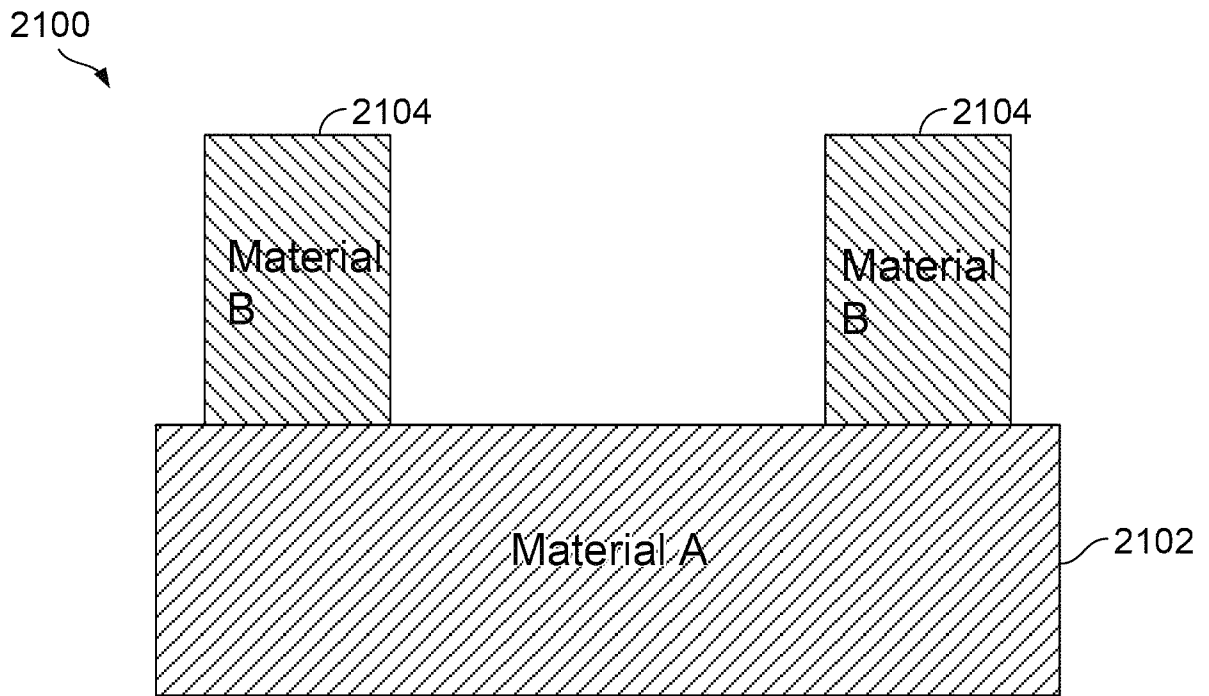


FIG. 21A

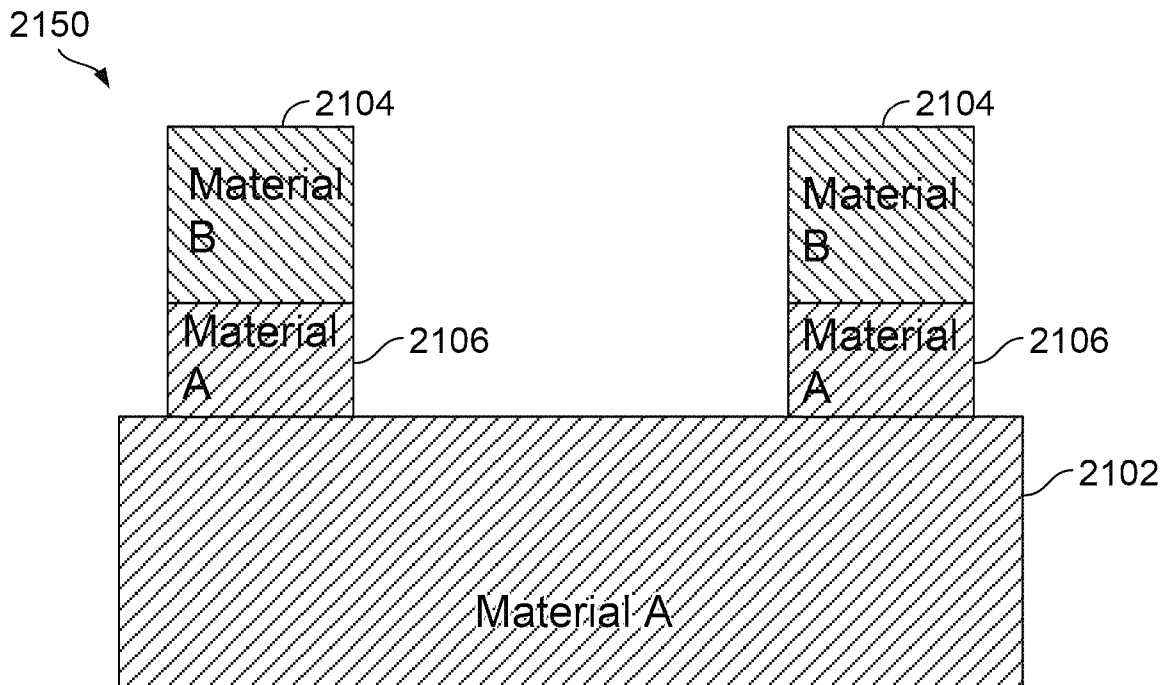


FIG. 21B

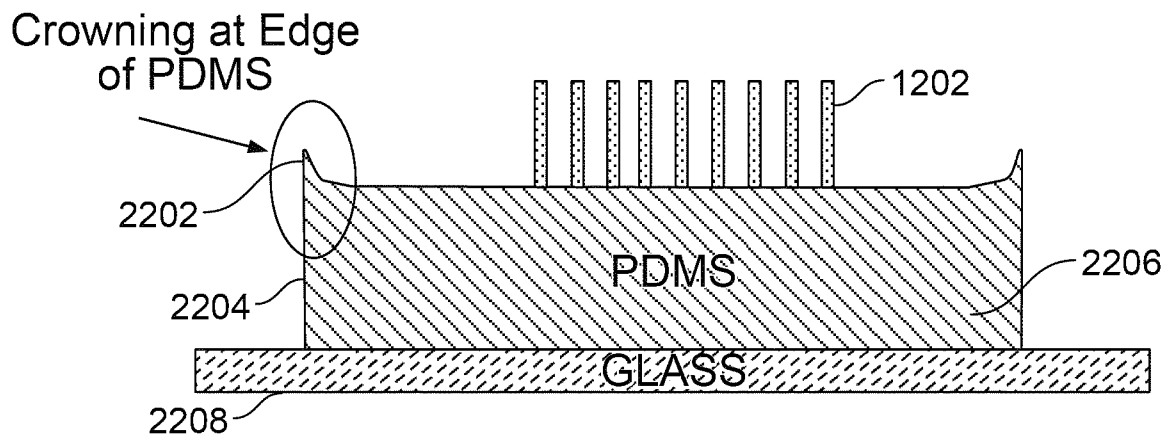
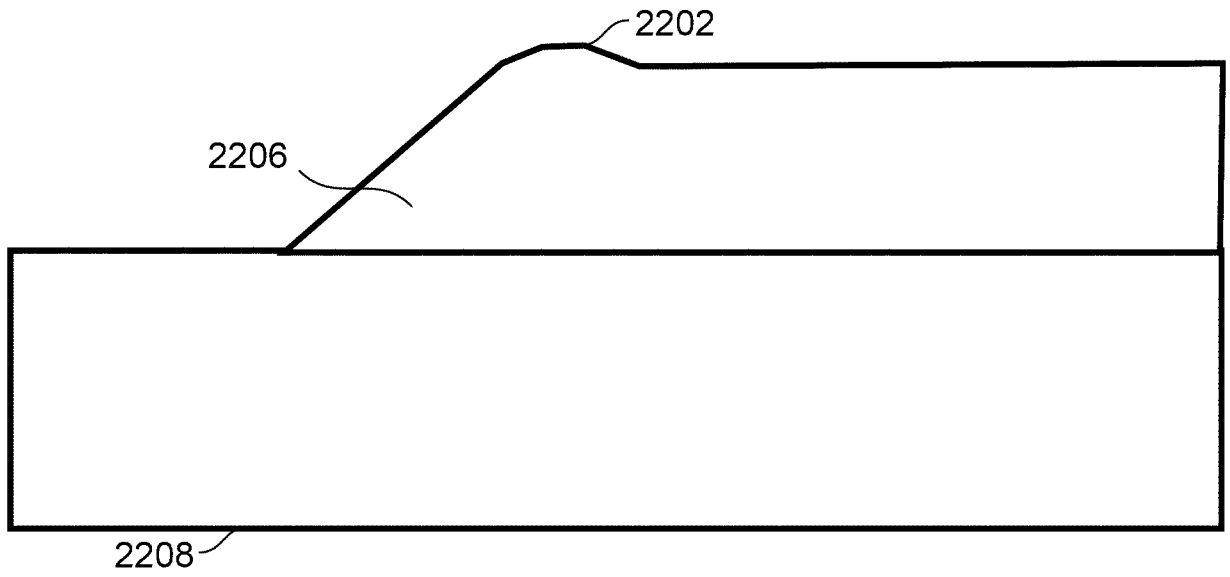


FIG. 22



**FIG. 23**

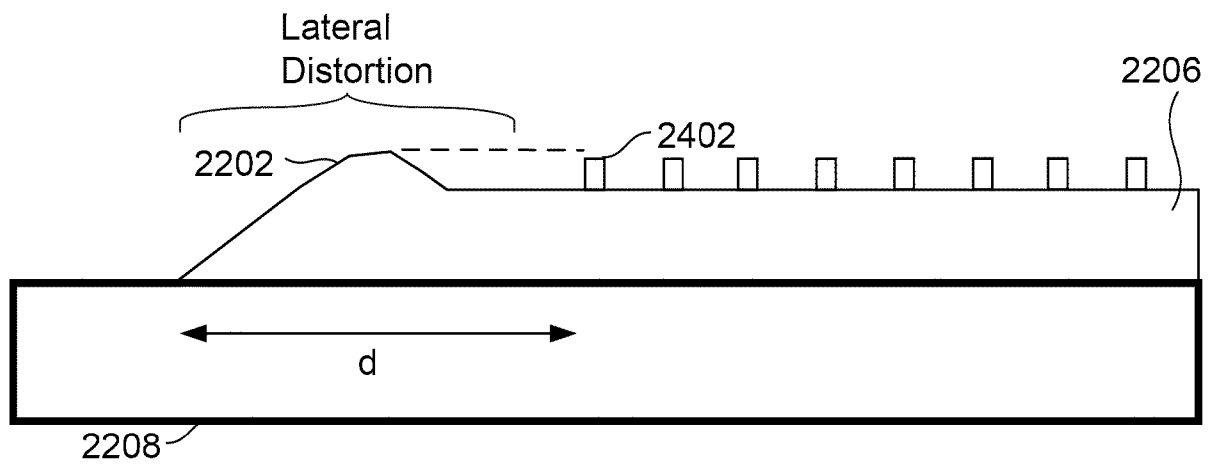


FIG. 24

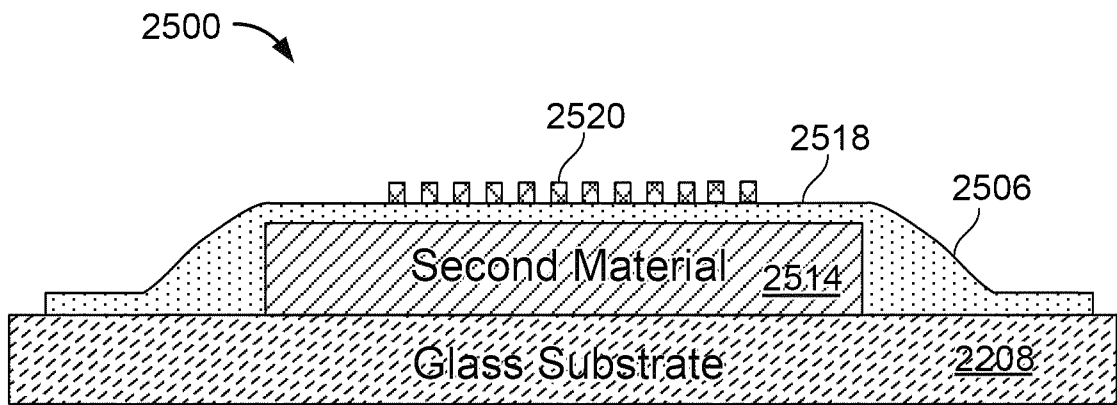


FIG. 25

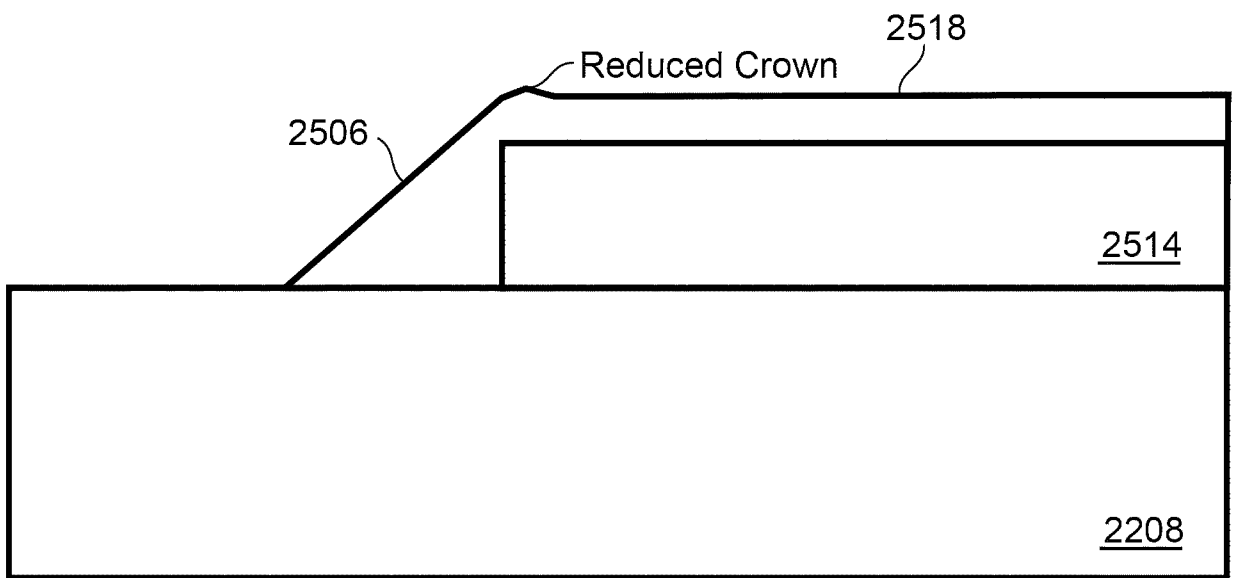


FIG. 26

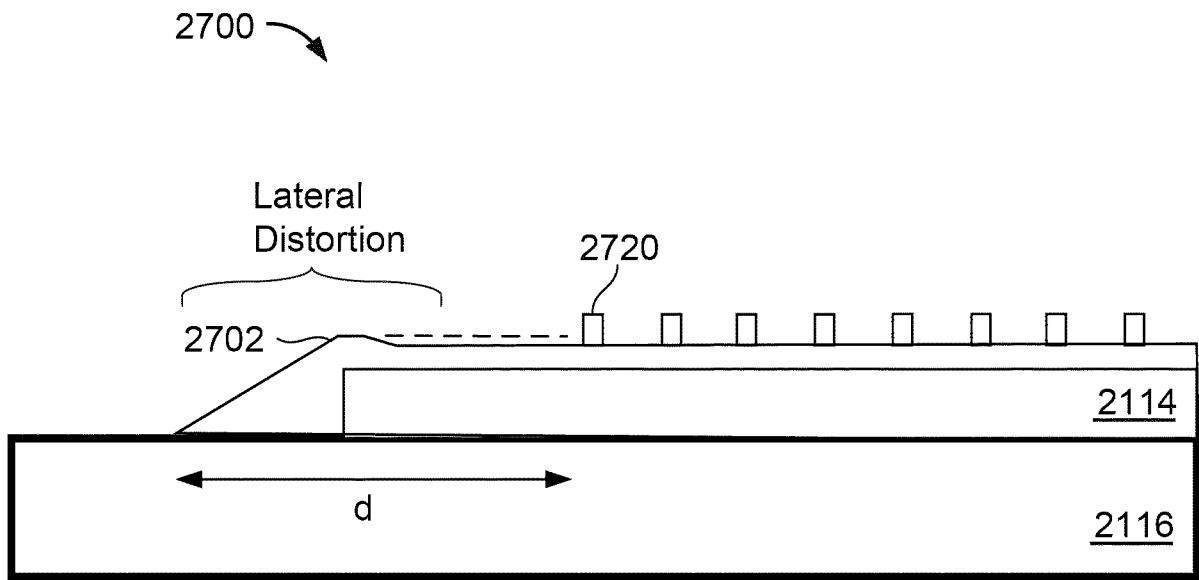


FIG. 27

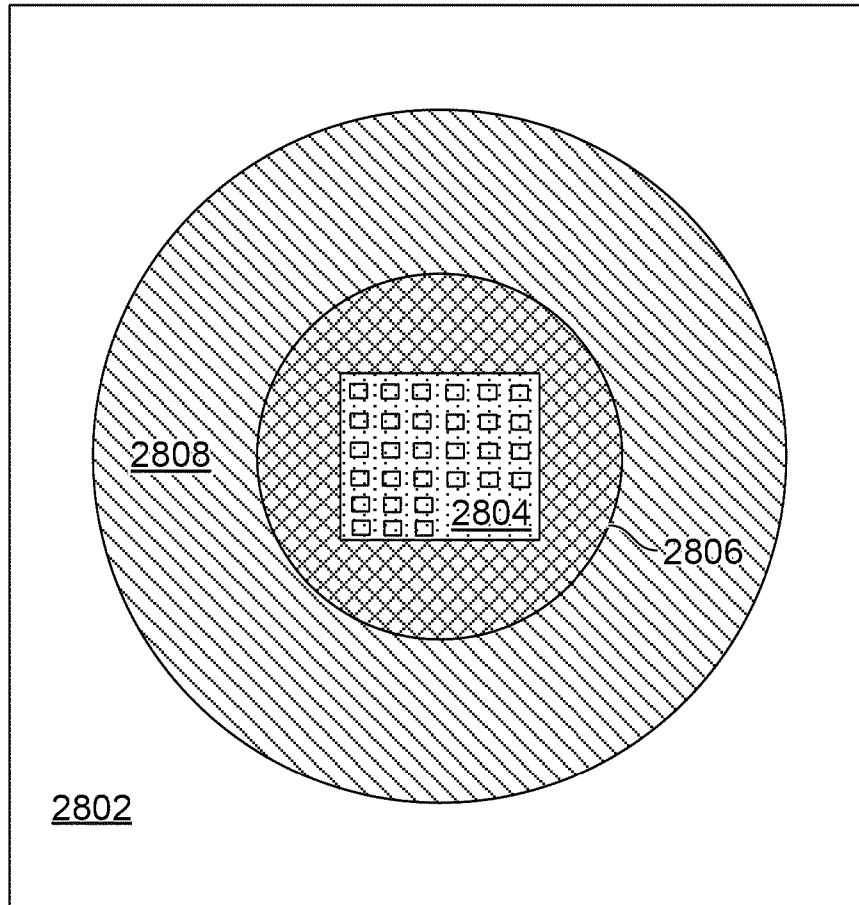


FIG. 28A

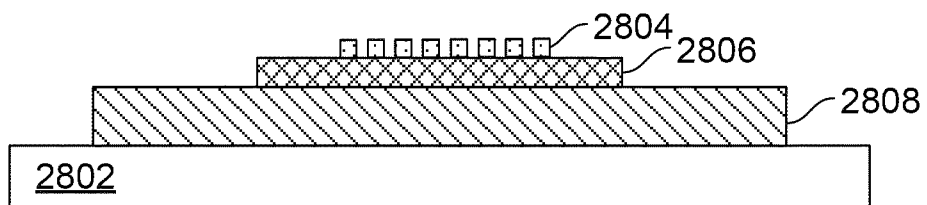


FIG. 28B

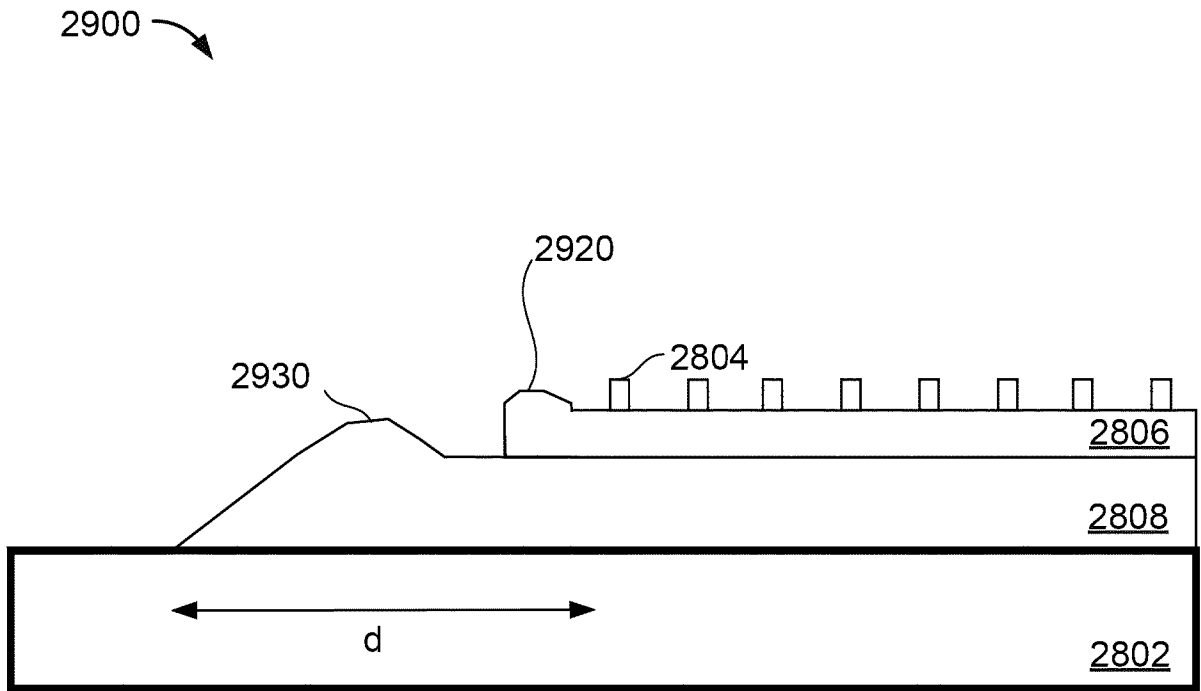


FIG. 29

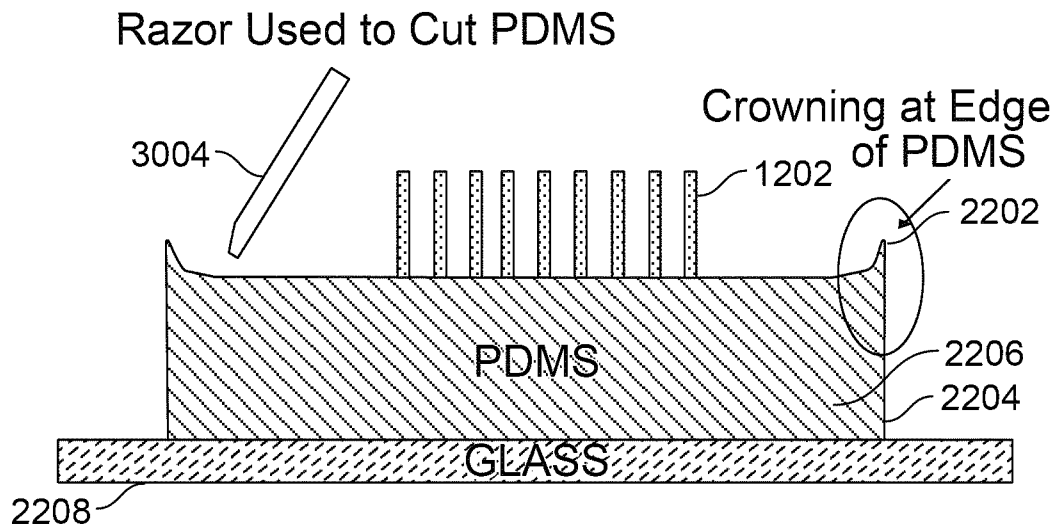


FIG. 30A

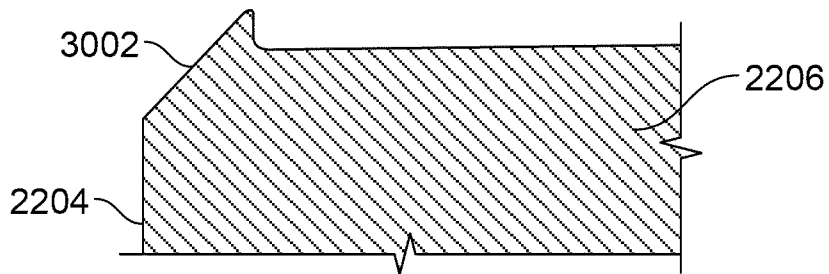


FIG. 30B



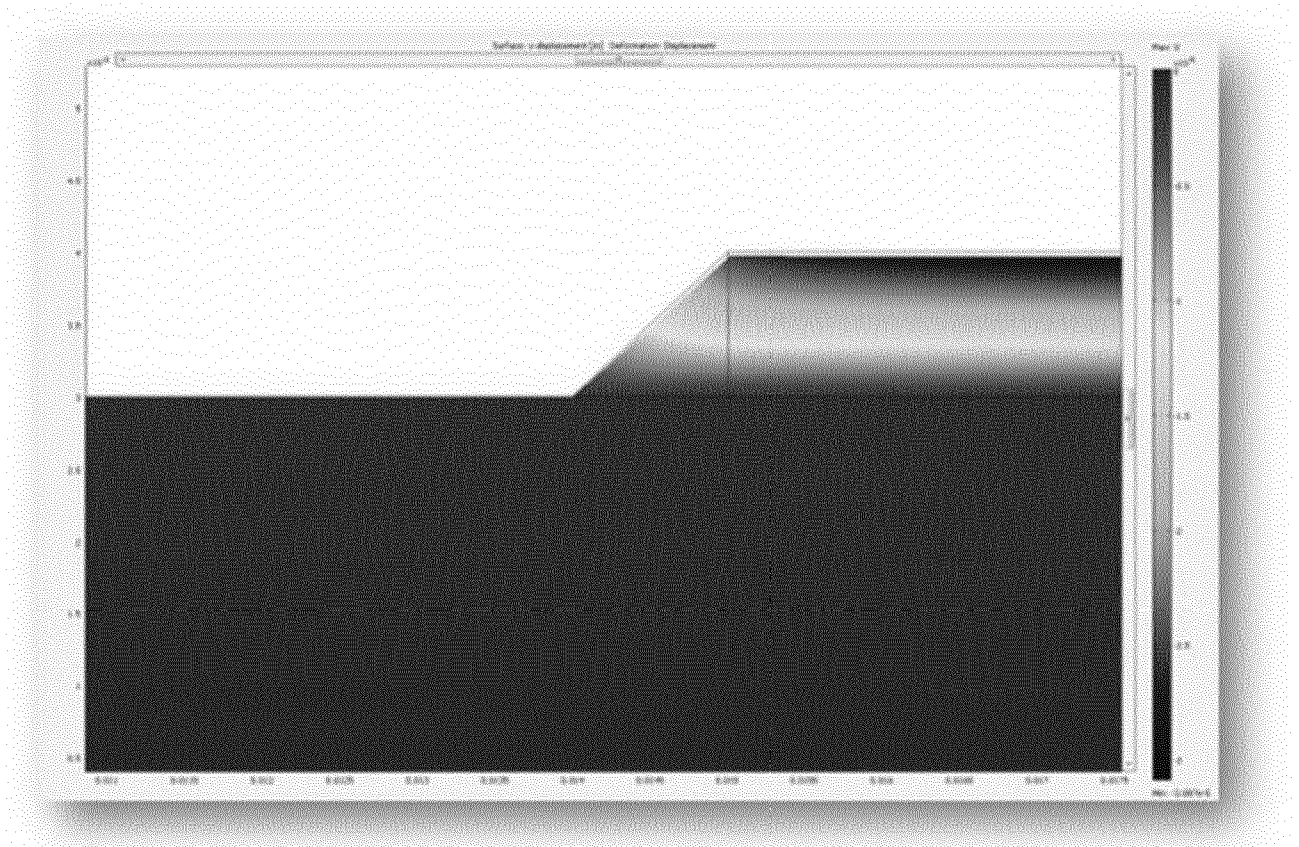


FIG. 31B

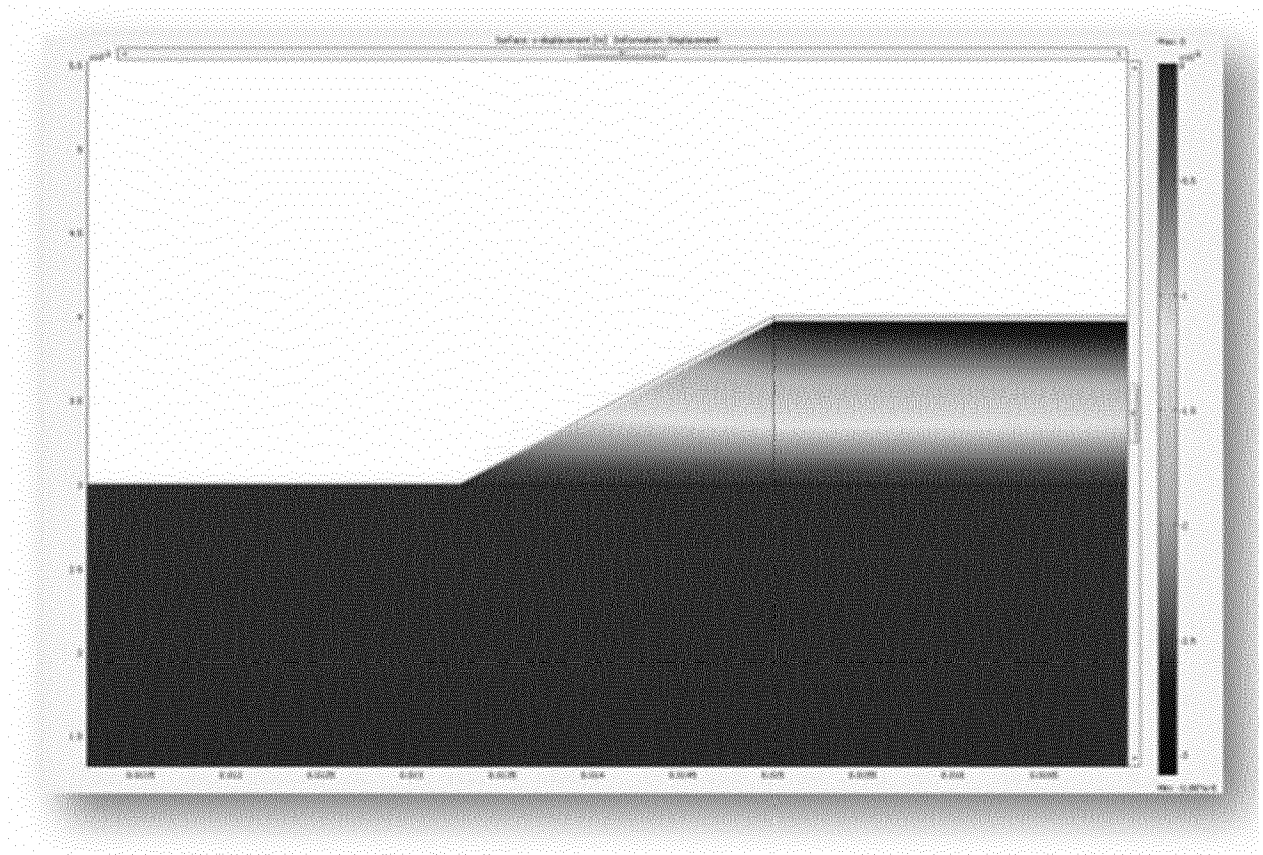


FIG. 31C

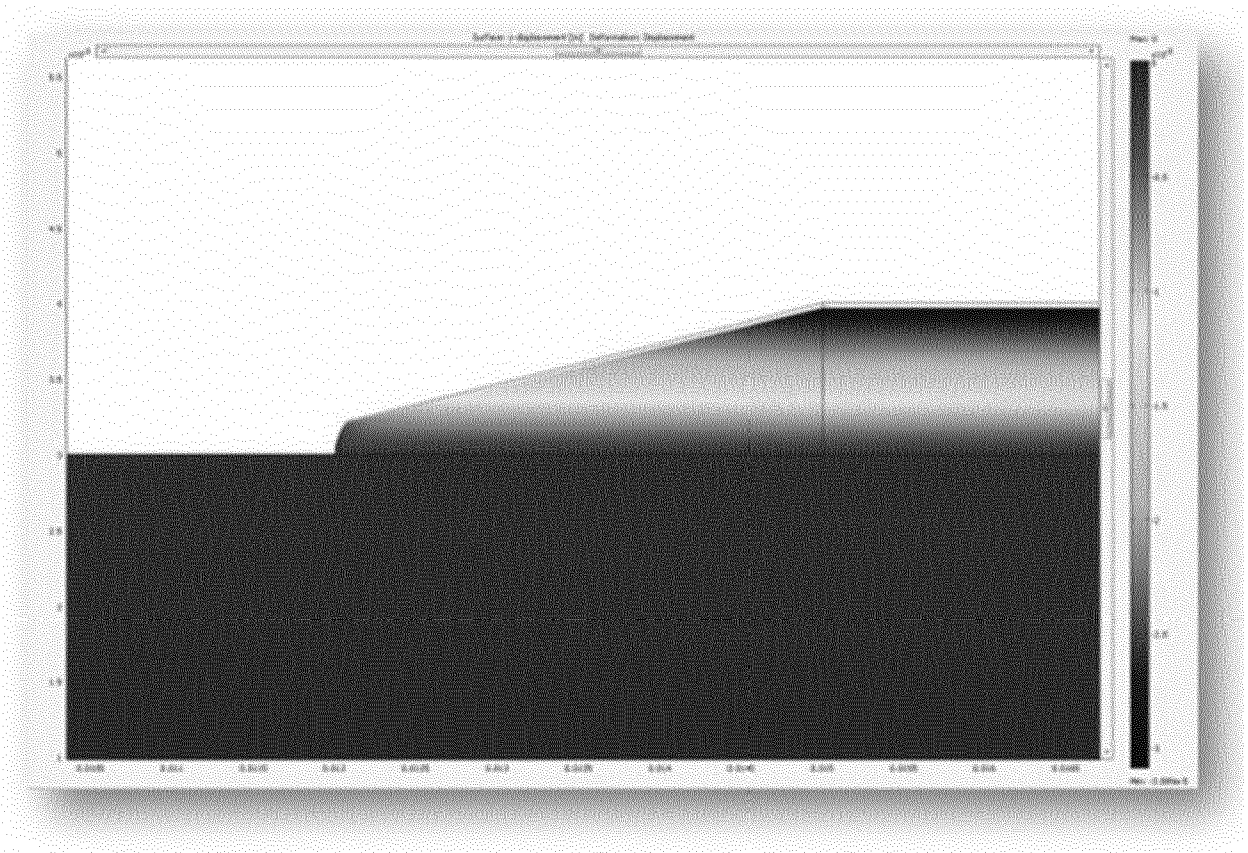


FIG. 31D

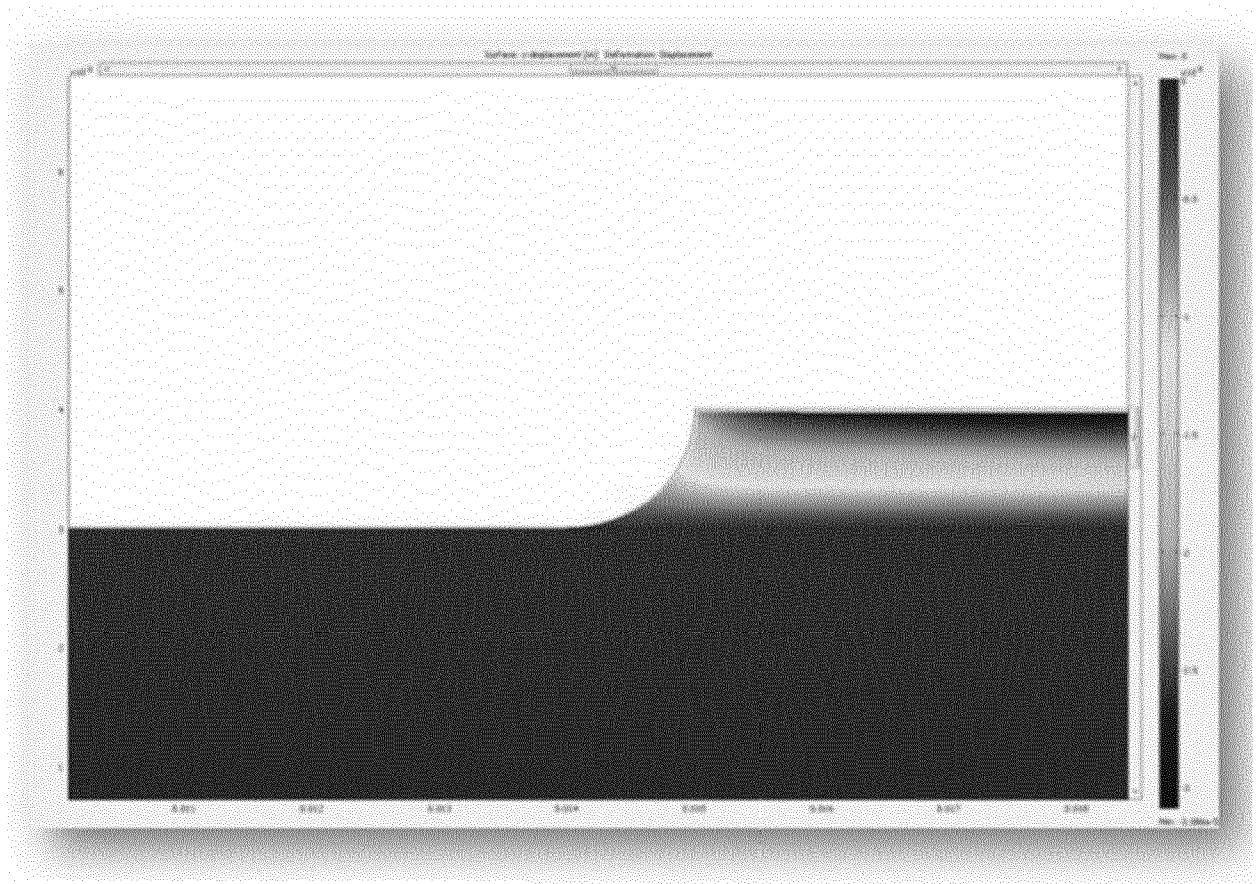


FIG. 31E

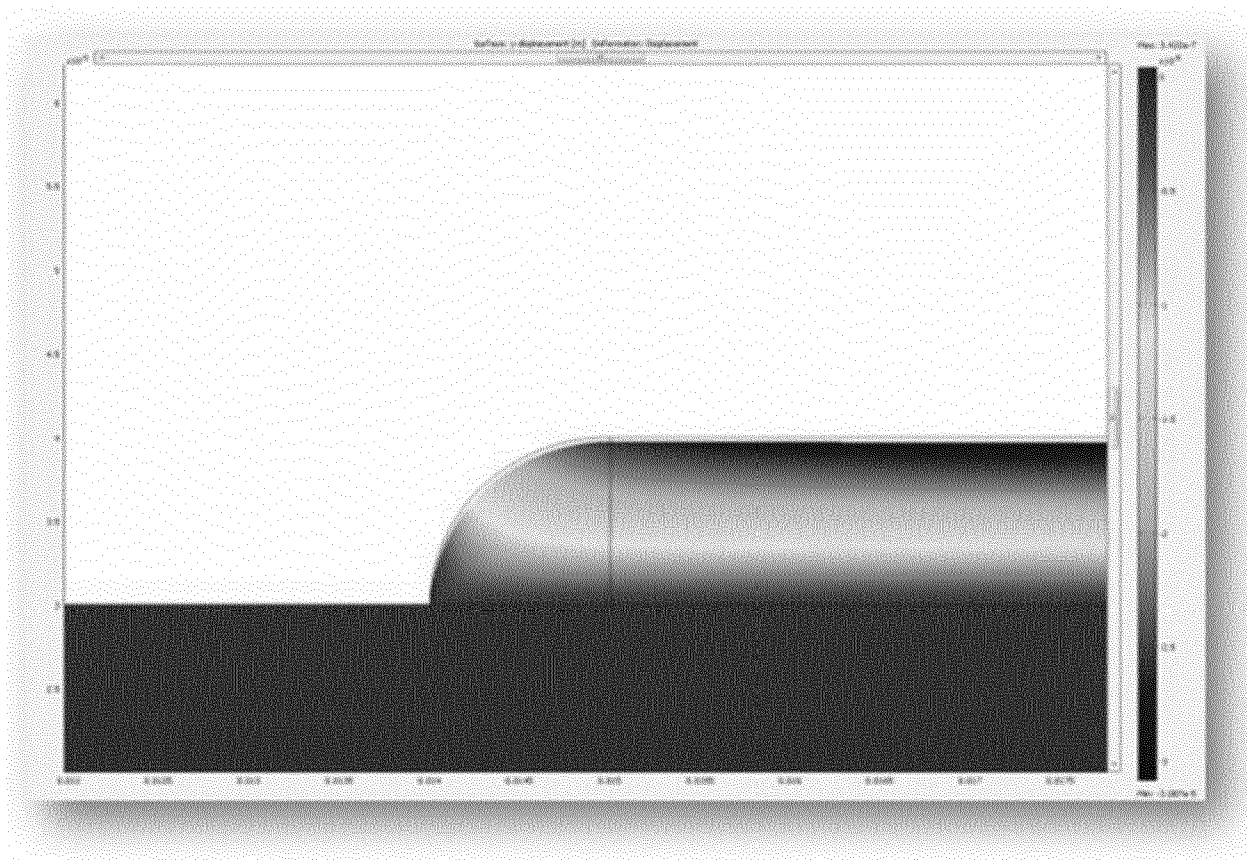


FIG. 31F

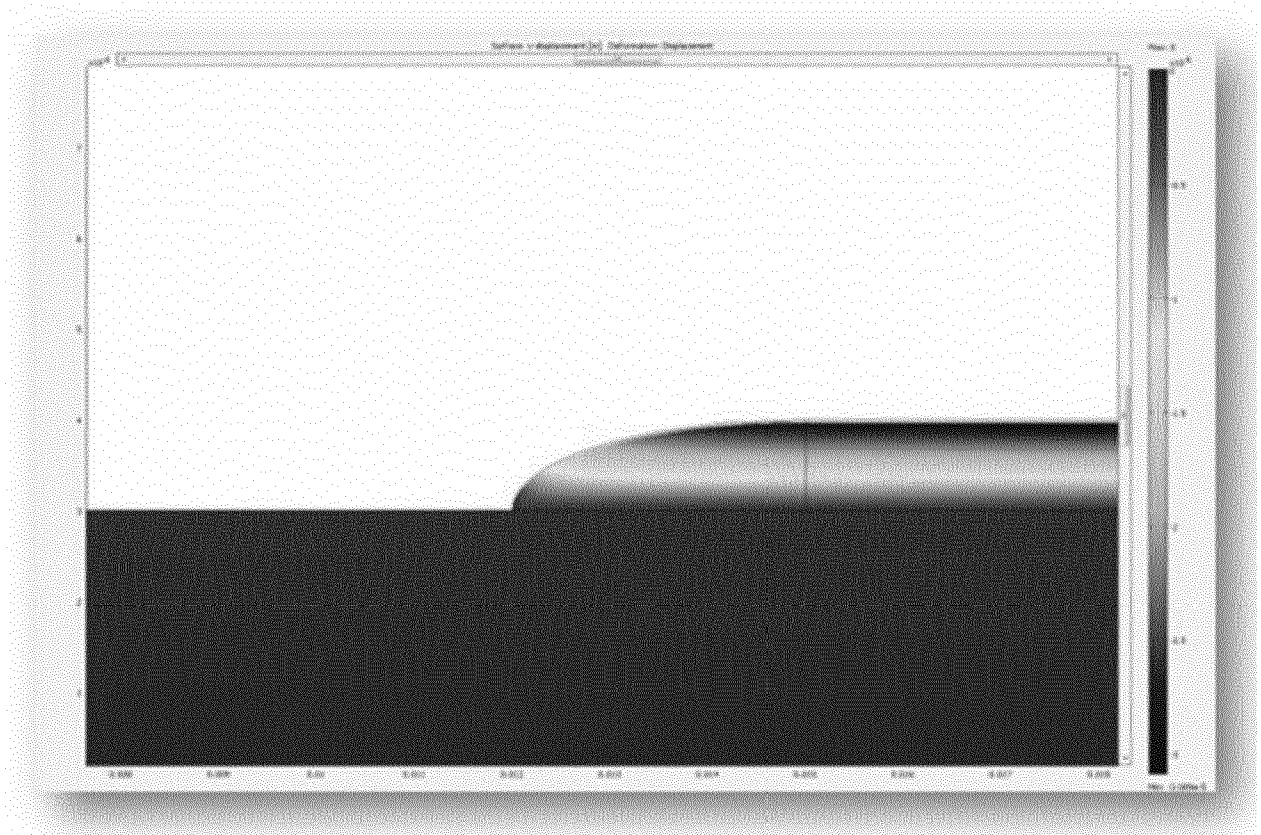


FIG. 31G

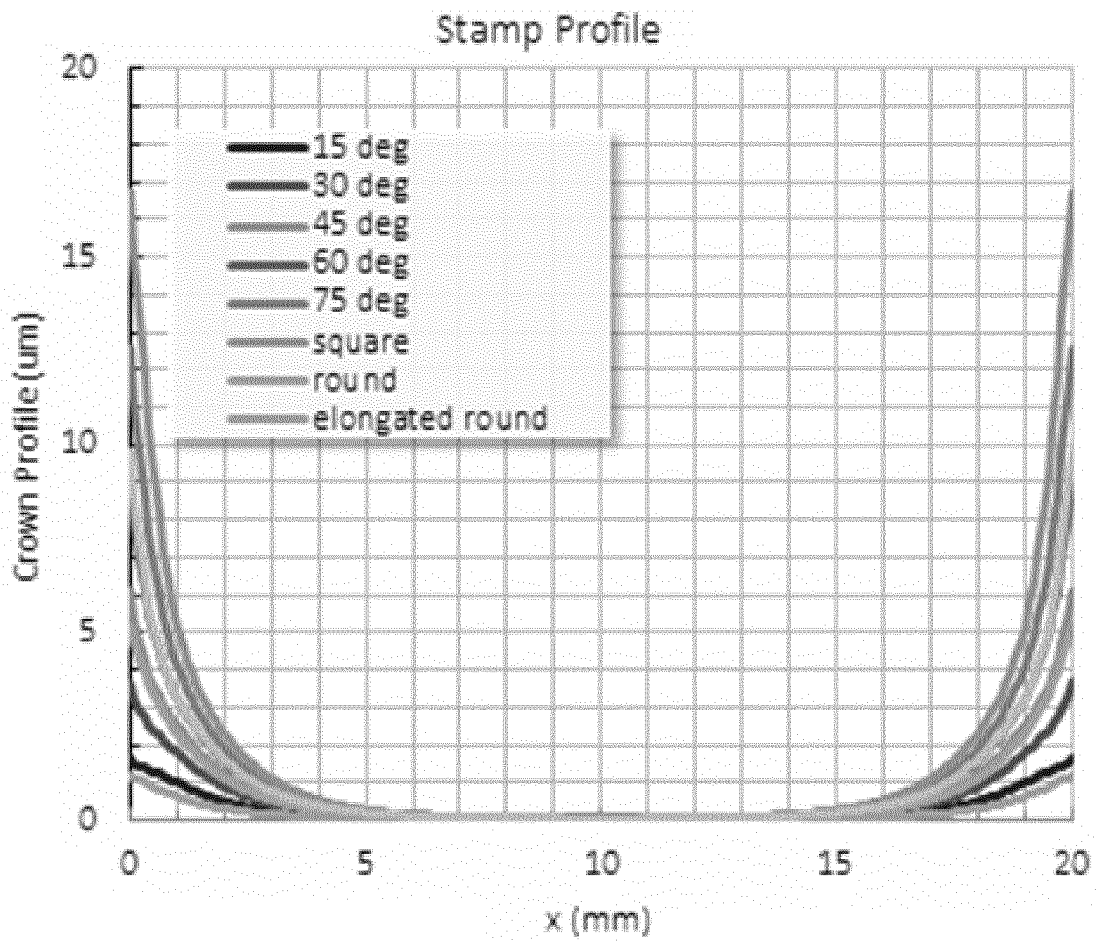


FIG. 32

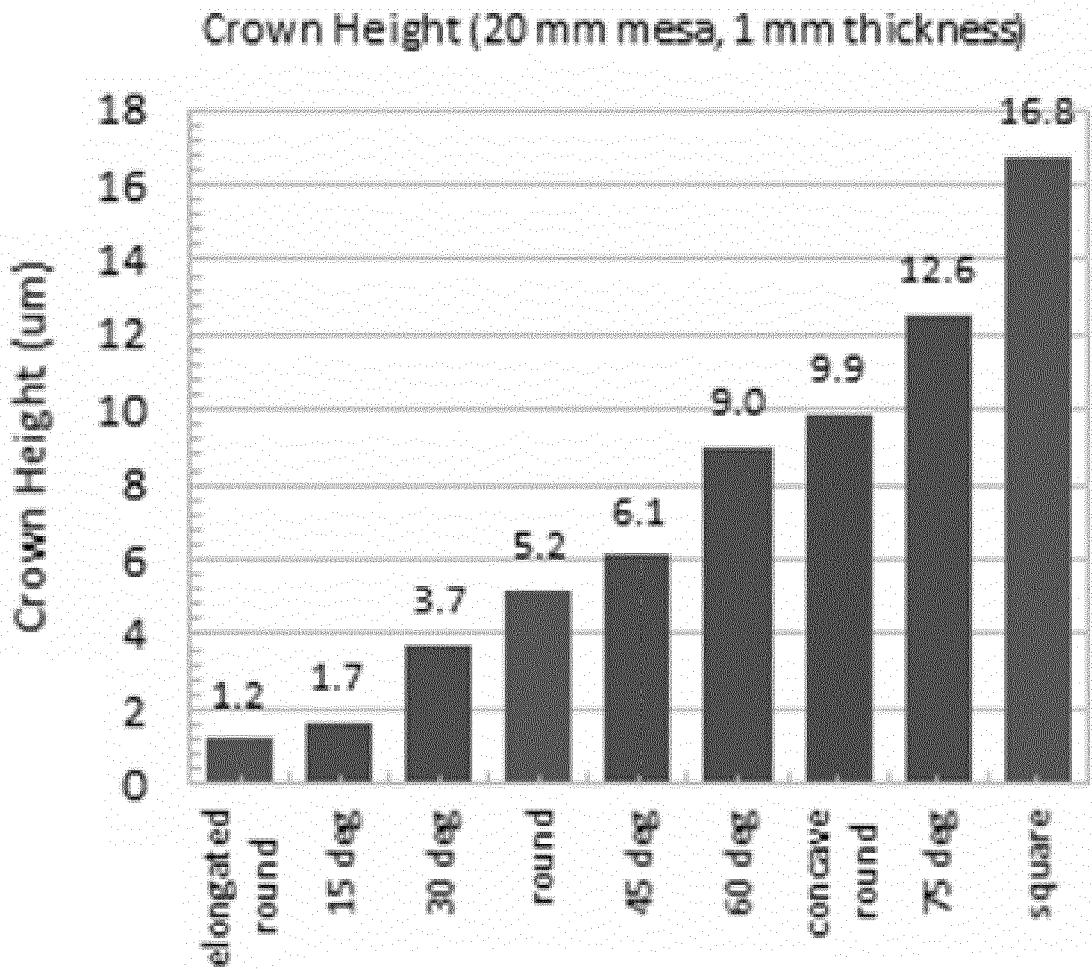


FIG. 33