

(19) World Intellectual Property Organization  
International Bureau



(43) International Publication Date  
8 June 2006 (08.06.2006)

PCT

(10) International Publication Number  
WO 2006/060380 A3

- (51) International Patent Classification:  
A61F 2/14 (2006.01)
- (21) International Application Number:  
PCT/US2005/043108
- (22) International Filing Date:  
30 November 2005 (30.11.2005)
- (25) Filing Language: English
- (26) Publication Language: English
- (30) Priority Data:  
11/000,562 1 December 2004 (01.12.2004) US  
11/107,359 14 April 2005 (14.04.2005) US
- (71) Applicant (for all designated States except US): ACUFUS, INC. [US/US]; 18 Technology Dr., Suite 154, Irvine, CA 92618 (US).
- (72) Inventor; and  
(75) Inventor/Applicant (for US only): SILVESTRINI, Thomas, A. [US/US]; P.O. Box 70, Alamo, CA 94507 (US).
- (74) Agent: ALTMAN, Daniel, E.; Knobbe, Martens, Olson & Bear, LLP, 2040 Main Street, Fourteenth Floor, Irvine, CA 92614 (US).
- (81) Designated States (unless otherwise indicated, for every kind of national protection available): AE, AG, AL, AM,

AT, AU, AZ, BA, BB, BG, BR, BW, BY, BZ, CA, CH, CN, CO, CR, CU, CZ, DE, DK, DM, DZ, EC, EE, EG, ES, FI, GB, GD, GE, GH, GM, HR, HU, ID, IL, IN, IS, JP, KE, KG, KM, KN, KP, KR, KZ, LC, LK, LR, LS, LT, LU, LV, LY, MA, MD, MG, MK, MN, MW, MX, MZ, NA, NG, NI, NO, NZ, OM, PG, PH, PL, PT, RO, RU, SC, SD, SE, SG, SK, SL, SM, SY, TJ, TM, TN, TR, TT, TZ, UA, UG, US, UZ, VC, VN, YU, ZA, ZM, ZW.

(84) Designated States (unless otherwise indicated, for every kind of regional protection available): ARIPO (BW, GH, GM, KE, LS, MW, MZ, NA, SD, SL, SZ, TZ, UG, ZM, ZW), Eurasian (AM, AZ, BY, KG, KZ, MD, RU, TJ, TM), European (AT, BE, BG, CH, CY, CZ, DE, DK, EE, ES, FI, FR, GB, GR, HU, IE, IS, IT, LT, LU, LV, MC, NL, PL, PT, RO, SE, SI, SK, TR), OAPI (BF, BJ, CF, CG, CI, CM, GA, GN, GQ, GW, ML, MR, NE, SN, TD, TG).

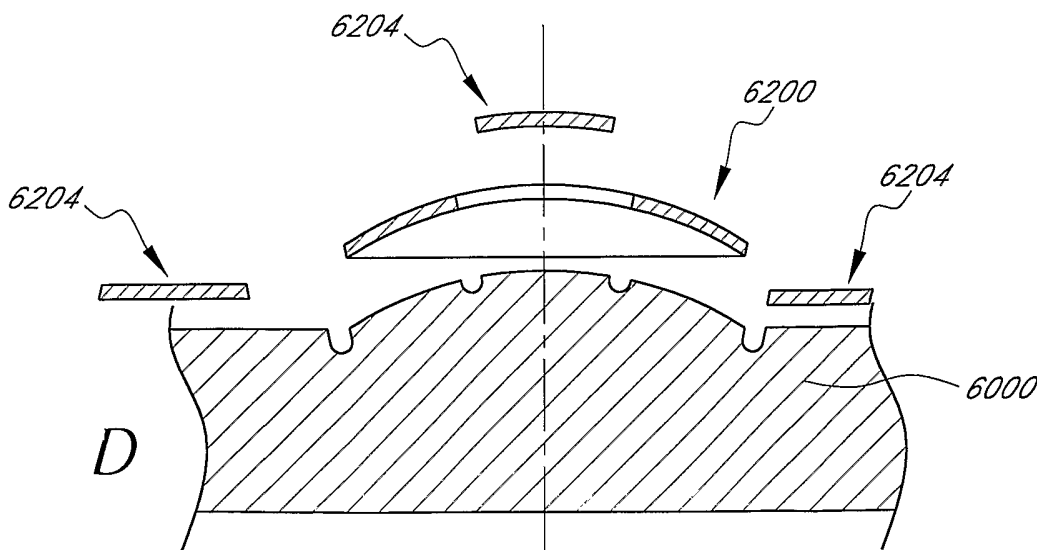
Declaration under Rule 4.17:  
— of inventorship (Rule 4.17(iv))

Published:  
— with international search report

(88) Date of publication of the international search report:  
7 December 2006

For two-letter codes and other abbreviations, refer to the "Guidance Notes on Codes and Abbreviations" appearing at the beginning of each regular issue of the PCT Gazette.

(54) Title: METHOD OF MAKING AN OCULAR IMPLANT



(57) Abstract: A method is provided for making a mask (6200) configured to improve the depth of focus of an eye of a patient. A substrate (6000) is provided with a mask forming feature (6008). The mask forming feature comprises an annular surface (6020) that has a curved profile (6016) that corresponds to the curvature of a corneal layer of the eye. A release layer (6080) is formed on the annular surface. A mask layer (6100) of a biocompatible metal is formed above the release layer. The mask layer is separated from the substrate.

WO 2006/060380 A3

INTERNATIONAL SEARCH REPORT

International application No  
PCT/JP2005/043108

A. CLASSIFICATION OF SUBJECT MATTER  
INV. A61F2/14

According to International Patent Classification (IPC) or to both national classification and IPC

B. FIELDS SEARCHED

Minimum documentation searched (classification system followed by classification symbols)  
A61F G02C B29D

Documentation searched other than minimum documentation to the extent that such documents are included in the fields searched

Electronic data base consulted during the international search (name of data base and, where practical, search terms used)  
EPO-Internal, WPI Data, PAJ

C. DOCUMENTS CONSIDERED TO BE RELEVANT

Category*	Citation of document, with indication, where appropriate, of the relevant passages	Relevant to claim No.
A	US 5 905 561 A (LEE ET AL) 18 May 1999 (1999-05-18)  the whole document	1,5,6, 8-11, 17-20
A	WO 02/102241 A (THE UNIVERSITY OF HOUSTON SYSTEM; IGNATIEV, ALEX; WU, NAIJUAN, J; ZOMO) 27 December 2002 (2002-12-27) paragraph [0090]; claim 26	1,5,6, 8-11, 17-20
A	US 5 354 331 A (SCHACHAR ET AL) 11 October 1994 (1994-10-11)  column 6, line 40 - line 68	1,5,6, 8-11, 17-20
	-/--	

Further documents are listed in the continuation of Box C.

See patent family annex.

\* Special categories of cited documents :

"A" document defining the general state of the art which is not considered to be of particular relevance

"E" earlier document but published on or after the international filing date

"L" document which may throw doubts on priority claim(s) or which is cited to establish the publication date of another citation or other special reason (as specified)

"O" document referring to an oral disclosure, use, exhibition or other means

"P" document published prior to the international filing date but later than the priority date claimed

"T" later document published after the international filing date or priority date and not in conflict with the application but cited to understand the principle or theory underlying the invention

"X" document of particular relevance; the claimed invention cannot be considered novel or cannot be considered to involve an inventive step when the document is taken alone

"Y" document of particular relevance; the claimed invention cannot be considered to involve an inventive step when the document is combined with one or more other such documents, such combination being obvious to a person skilled in the art.

"&" document member of the same patent family

Date of the actual completion of the international search

4 May 2006

Date of mailing of the international search report

30.08.2006

Name and mailing address of the ISA/

European Patent Office, P.B. 5818 Patentlaan 2  
NL - 2280 HV Rijswijk  
Tel. (+31-70) 340-2040, Tx. 31 651 epo nl,  
Fax: (+31-70) 340-3016

Authorized officer

Birkenmaier, T

## INTERNATIONAL SEARCH REPORT

Inter: application No  
PC, 052005/043108

C(Continuation). DOCUMENTS CONSIDERED TO BE RELEVANT		
Category*	Citation of document, with indication, where appropriate, of the relevant passages	Relevant to claim No.
A	WO 02/27388 A (NOVARTIS AG; NOVARTIS-ERFINDUNGEN VERWALTUNGSGESELLSCHAFT MBH; ANDINO,) 4 April 2002 (2002-04-04) the whole document -----	1,5,6, 8-11, 17-20
A	GB 1 276 003 A (FRANK AULD; JOHN THOMAS HEATHCOTE) 1 June 1972 (1972-06-01)  the whole document -----	1,5,6, 8-11, 17-20

# INTERNATIONAL SEARCH REPORT

International application No.  
PCT/US2005/043108

## Box II Observations where certain claims were found unsearchable (Continuation of item 2 of first sheet)

This International Search Report has not been established in respect of certain claims under Article 17(2)(a) for the following reasons:

1.  Claims Nos.:  
because they relate to subject matter not required to be searched by this Authority, namely:
  
2.  Claims Nos.:  
because they relate to parts of the International Application that do not comply with the prescribed requirements to such an extent that no meaningful International Search can be carried out, specifically:
  
3.  Claims Nos.:  
because they are dependent claims and are not drafted in accordance with the second and third sentences of Rule 6.4(a).

## Box III Observations where unity of invention is lacking (Continuation of item 3 of first sheet)

This International Searching Authority found multiple inventions in this international application, as follows:

see additional sheet

1.  As all required additional search fees were timely paid by the applicant, this International Search Report covers all searchable claims.
2.  As all searchable claims could be searched without effort justifying an additional fee, this Authority did not invite payment of any additional fee.
3.  As only some of the required additional search fees were timely paid by the applicant, this International Search Report covers only those claims for which fees were paid, specifically claims Nos.:
4.  No required additional search fees were timely paid by the applicant. Consequently, this International Search Report is restricted to the invention first mentioned in the claims; it is covered by claims Nos.:  
  
1, 5, 6, 8-11, 17-20

Remark on Protest

The additional search fees were accompanied by the applicant's protest.

No protest accompanied the payment of additional search fees.

## FURTHER INFORMATION CONTINUED FROM PCT/ISA/ 210

This International Searching Authority found multiple (groups of) inventions in this international application, as follows:

1. claims: 1, 5, 6, 8 - 11, 17 - 20

Process steps of making a mask for an eye including the step of forming a release layer under the mask layer. This release layer is intended to facilitate separating a mask from the substrate;

---

2. claims: 2-4, 25, 26, 47 - 51, 59-62, 68, 69

Mask and a method of making it comprising different materials as cosmetic layer. The problem to be solved by this invention is to provide an appearance desirable to the patient;

---

3. claims: 7, 12 - 16, 26, 27 - 33, 35 - 39, 46, 52, 53, 59, 62, 63  
- 67, 71 - 75

Mask and a method of making it comprising different materials as mask (posterior) layer. The problem to be solved by this invention is providing alternative materials to form mask layers (see description of the present application, p. 78, line 18. - p. 79, line 7);

---

4. claims: 21-23, 54, 55, 56

A method of making a mask comprising the step of forming a transport structure for maintaining natural nutrient flow when the mask is applied to the eye;

---

5. claims: 24, 34, 41-43, 44, 57, 58, 70

A method of making a mask comprising the step of configuring a surface of the mask layer to not corrode;

---

## INTERNATIONAL SEARCH REPORT

Inter	al application No
PC	32005/043108

Patent document cited in search report		Publication date	Patent family member(s)	Publication date
US 5905561	A	18-05-1999	AU 3079397 A	07-01-1998
			CA 2257726 A1	18-12-1997
			GB 2330216 A	14-04-1999
			WO 9748004 A1	18-12-1997
-----				
WO 02102241	A	27-12-2002	CA 2455357 A1	27-12-2002
			WO 02103407 A2	27-12-2002
-----				
US 5354331	A	11-10-1994	AT 308947 T	15-11-2005
			AU 4992493 A	14-02-1994
			CA 2166537 A1	03-02-1994
			DE 69333904 D1	15-12-2005
			DE 69333904 T2	03-08-2006
			EP 0746271 A1	11-12-1996
			ES 2252146 T3	16-05-2006
			IL 106364 A	15-06-1998
			WO 9402084 A1	03-02-1994
			US 5489299 A	06-02-1996
-----				
WO 0227388	A	04-04-2002	AU 2057002 A	08-04-2002
			EP 1337890 A1	27-08-2003
			JP 2004510199 T	02-04-2004
-----				
GB 1276003	A	01-06-1972	NONE	
-----				