



US0D1050797S

(12) **United States Design Patent**
Chen

(10) **Patent No.:** **US D1,050,797 S**

(45) **Date of Patent:** **** Nov. 12, 2024**

(54) **GRAIN MILL MACHINE**

(71) Applicant: **Wenjie Chen**, Guangzhou (CN)

(72) Inventor: **Wenjie Chen**, Guangzhou (CN)

(**) Term: **15 Years**

(21) Appl. No.: **29/929,445**

(22) Filed: **Feb. 22, 2024**

(30) **Foreign Application Priority Data**

Feb. 6, 2024 (CN) 202430082071.5

(51) **LOC (14) Cl.** **31-00**

(52) **U.S. Cl.**
USPC **D7/412; D7/372**

(58) **Field of Classification Search**
USPC D7/300, 305-321, 368, 372, 376, 377,
D7/378, 379, 380, 381, 382, 383, 384,
D7/385, 386, 387, 412, 413, 414, 415,
D7/669, 672, 673, 674, 678, 679, 693,
D7/694, 695, 696, 697

CPC A47J 9/00; A47J 9/002; A47J 9/003; A47J
9/005; A47J 9/006; A47J 9/007; A47J
2009/008; A47J 19/00; A47J 19/005;
A47J 19/02; A47J 19/023; A47J 19/025;
A47J 19/027; A47J 19/04; A47J 19/06;
A47J 31/005; A47J 31/40; A47J 31/41;
A47J 31/4485; A47J 31/4496; A47J
2043/04409; A47J 2043/04418; A47J
2043/04427; A47J 2043/04454; A47J
2043/04463; A47J 2043/04472; A47J
2043/04481; A47J 2043/0449; A47J
43/00; A47J 43/04; A47J 43/046; A47J
43/06; A47J 43/07; A47J 43/0705; A47J
43/0711; A47J 43/0716; A47J 43/0722;
A47J 43/0727; A47J 43/075; A47J 43/10;
A47J 43/1006; A47J 43/1012; A47J
43/1018; A47J 43/25; A47J 43/255; A47J
17/00; A47J 17/02; A47J 17/04; A47J
17/06; A47J 17/10; A47J 17/14; A47J

17/16; A47J 17/01; A47J 17/20; A47J
42/28; A47J 43/22; A47J 44/02; B01F
2101/1805; B02C 1/00; B02C 2/00; B02C
(Continued)

(56) **References Cited**

U.S. PATENT DOCUMENTS

2,710,098 A * 6/1955 Crawford A47J 44/02
4,060,206 A * 11/1977 Granzow B02C 7/08
241/261.3

(Continued)

OTHER PUBLICATIONS

Family Grain Mill Grain Grinder Flour Mill, posted Mar. 14, 2018
[online], [retrieved Jul. 2, 2024]. Retrieved from internet, <https://us.amazon.com/FAMILY-GRAIN-MILL-Attachment-Universal/dp/B07BGXH276> (Year: 2018).*

(Continued)

Primary Examiner — Vy N Koenig
Assistant Examiner — Yen Le Southwood
(74) *Attorney, Agent, or Firm* — Jose Cherson Weissbrot

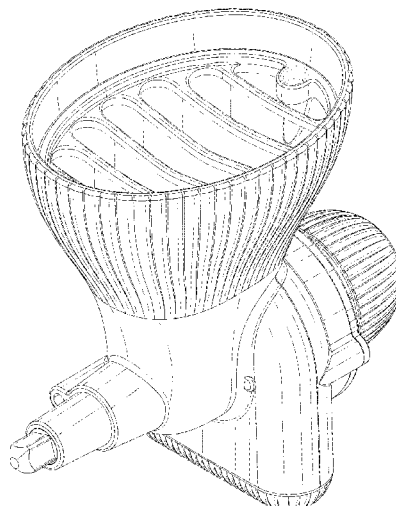
(57) **CLAIM**

The ornamental design for a grain mill machine as shown and described.

DESCRIPTION

FIG. 1 is a top perspective view of a grain mill machine showing my new design;
FIG. 2 is a front view thereof;
FIG. 3 is a rear view thereof;
FIG. 4 is a left side view thereof;
FIG. 5 is a right side view thereof;
FIG. 6 is a top plan view thereof; and,
FIG. 7 is a bottom plan view thereof.
The broken lines in the drawings depict portions of the grain mill machine that form no part of the claimed design.

1 Claim, 7 Drawing Sheets



(58) **Field of Classification Search**

CPC ... 4/00; B02C 7/00; B02C 9/00; B02C 11/00;
B02C 13/00; B02C 7/08; A21C 1/00;
A21C 1/02; A21C 1/04; A21C 14/00;
A22C 17/0026; A22C 17/0033; B07B
1/185

See application file for complete search history.

(56) **References Cited**

U.S. PATENT DOCUMENTS

D363,411 S * 10/1995 Mock D7/372
D581,749 S * 12/2008 de Groote D7/669
D790,292 S * 6/2017 Keating D7/381
9,782,041 B2 * 10/2017 Baker A47J 43/0705
D871,830 S 1/2020 Nonaka
D876,157 S 2/2020 Gollnick
D880,223 S 4/2020 Koidl et al.
D901,233 S 11/2020 Lin
10,827,881 B2 * 11/2020 DeVito A47J 43/22
11,192,142 B1 * 12/2021 Cencich B07B 1/185

OTHER PUBLICATIONS

KitchenAid KGM All Metal Grain Mill Attachment, posted Sep. 9, 2003 [online], [retrieved Jul. 2, 2024]. Retrieved from internet, <https://www.amazon.com/KitchenAid-KGM-Metal-Grain-Attachment/dp/B003DVPIV6> (Year: 2003).*

* cited by examiner

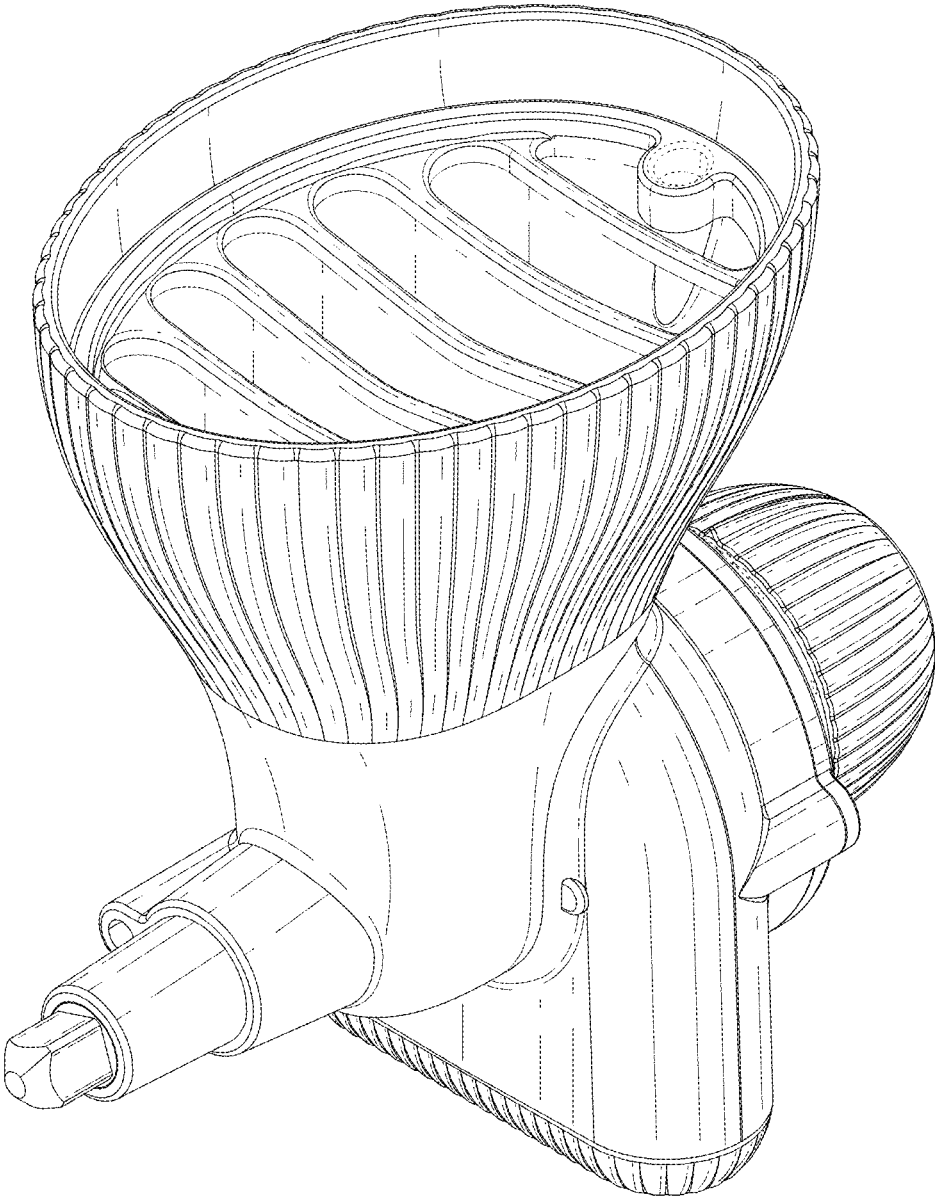


FIG. 1

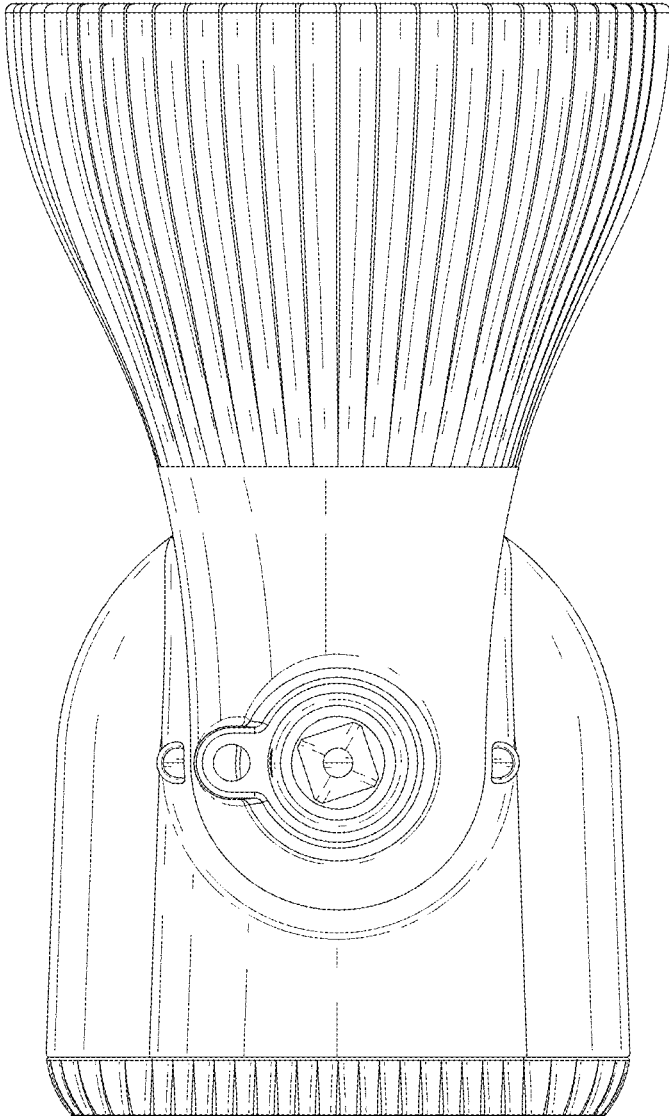


FIG. 2

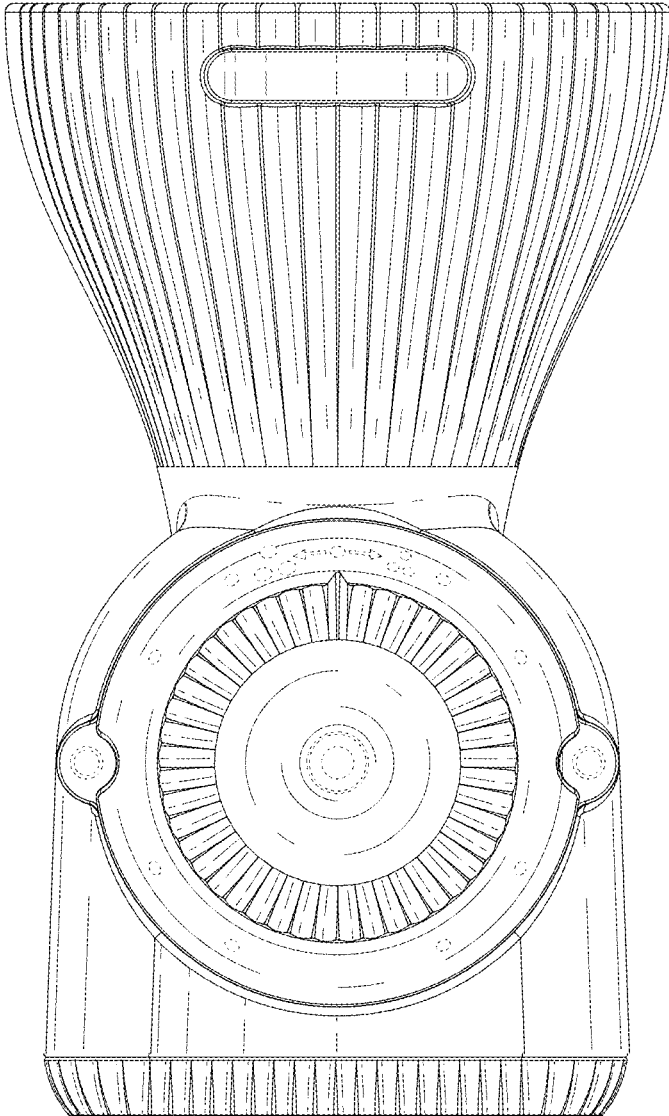


FIG. 3

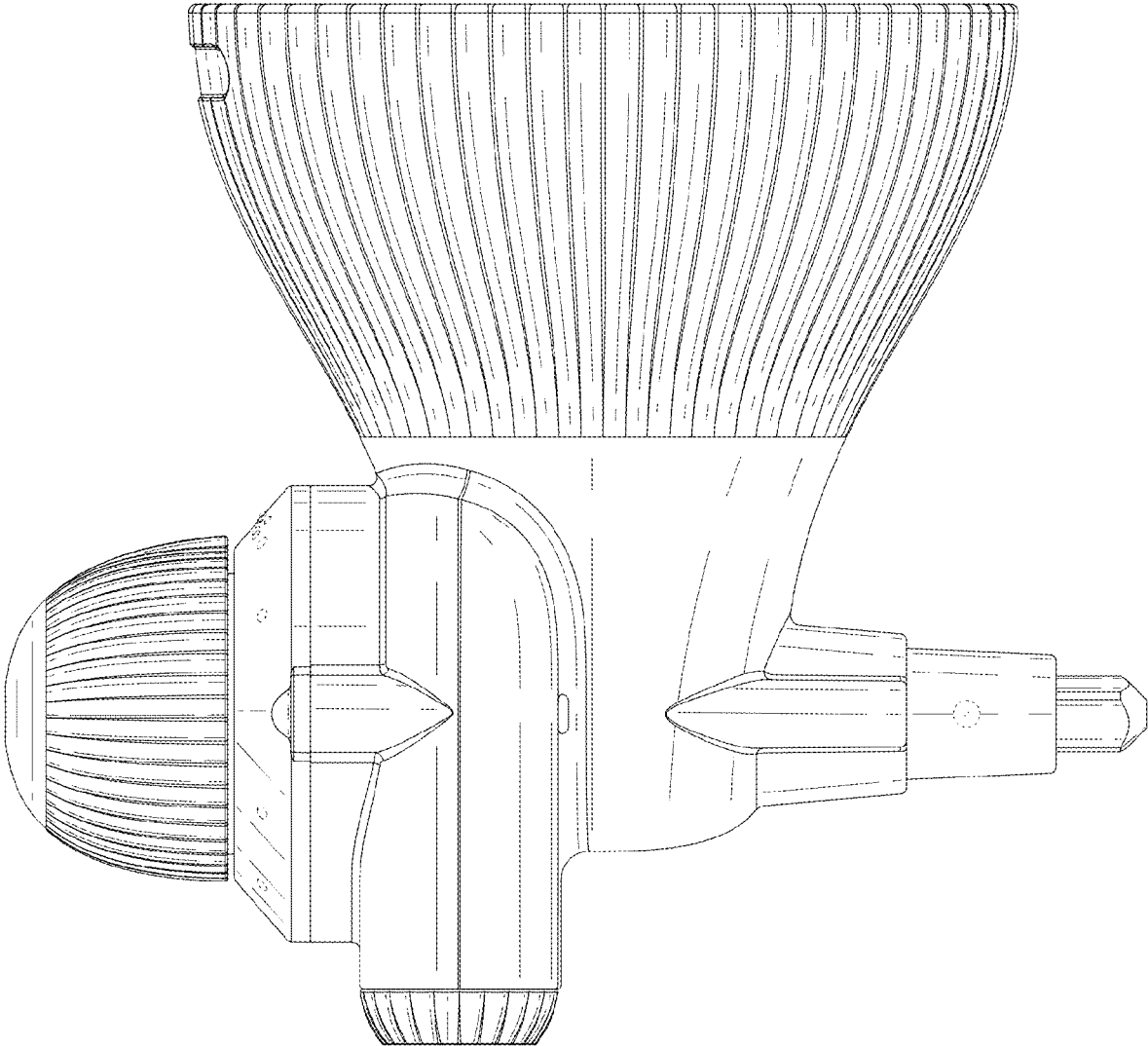


FIG. 4

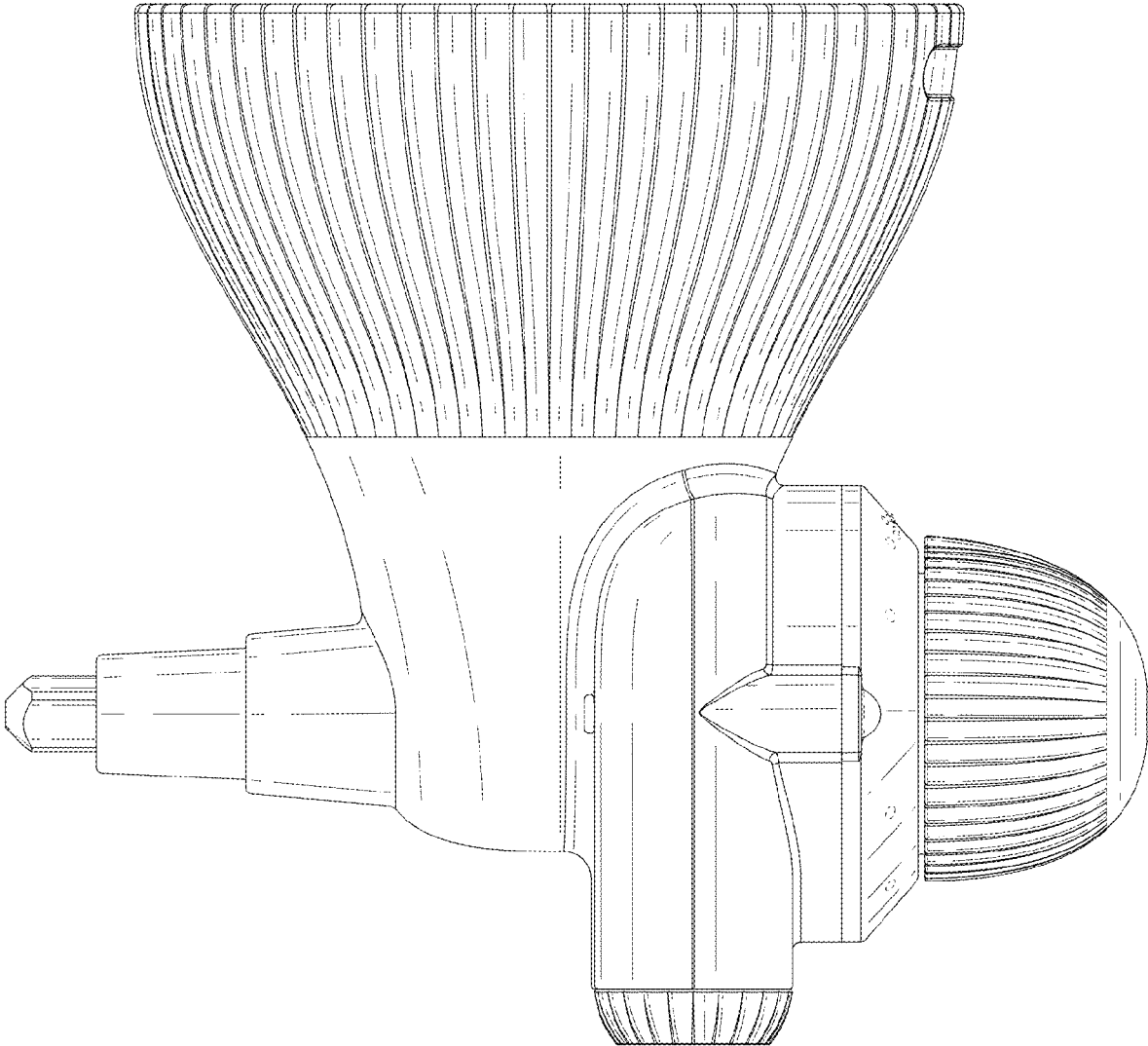


FIG. 5

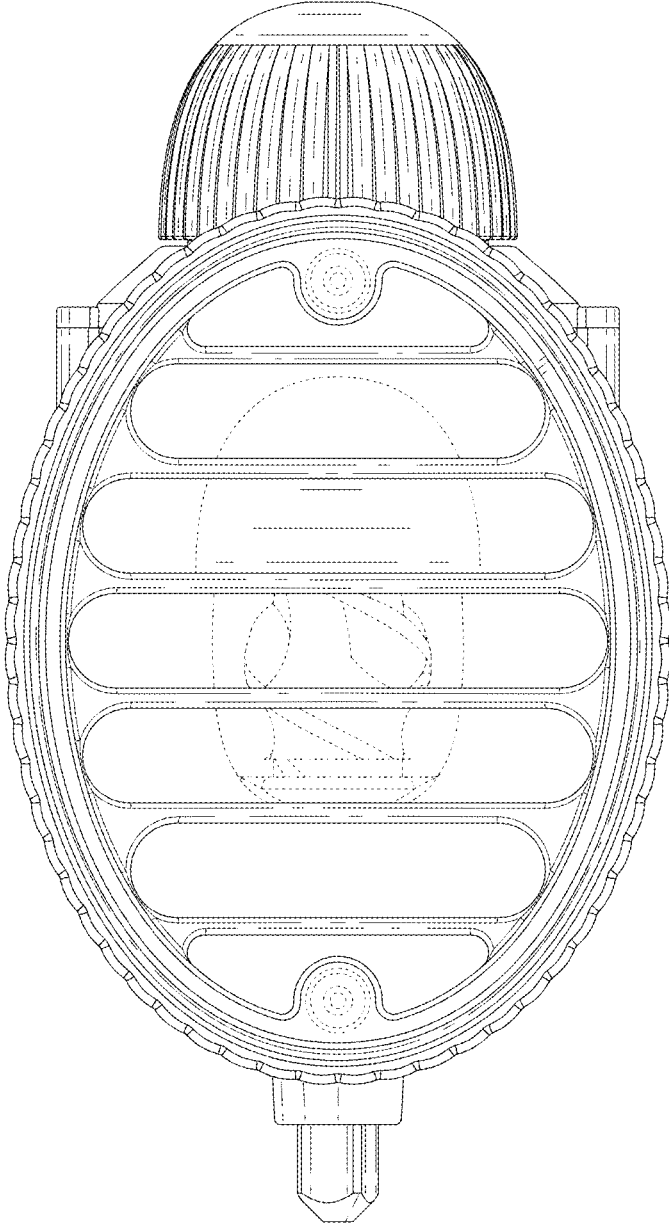


FIG. 6

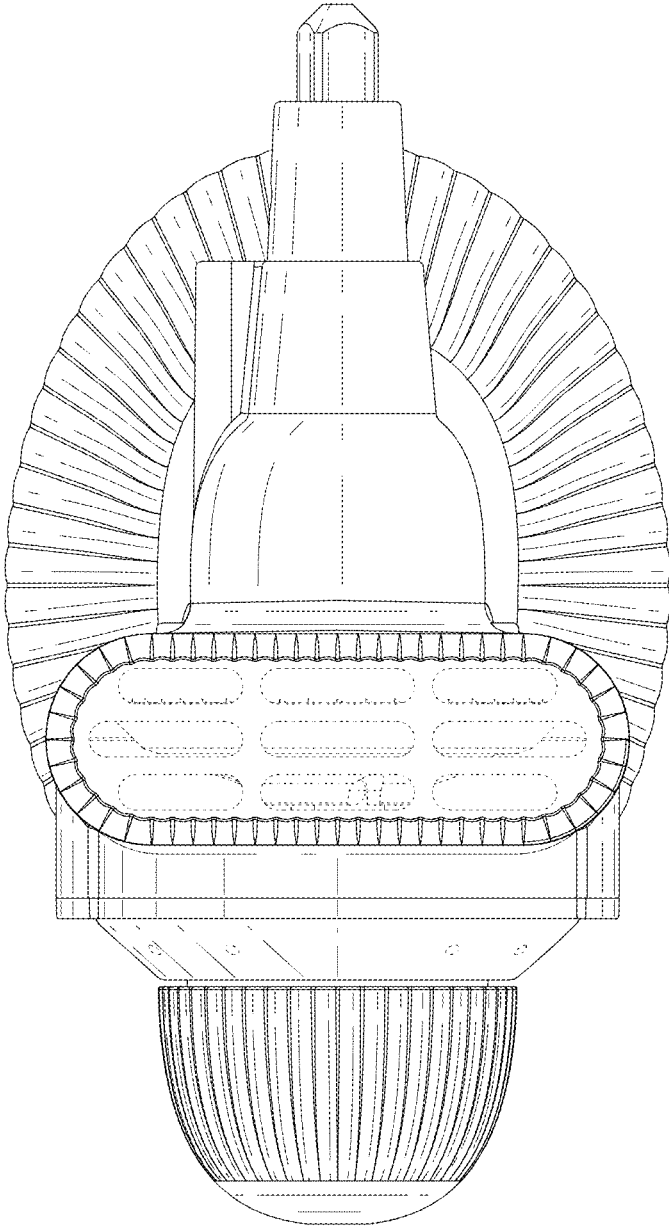


FIG. 7