

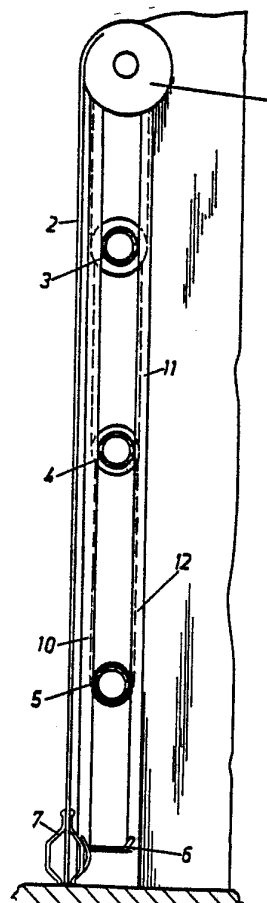


INTERNATIONAL APPLICATION PUBLISHED UNDER THE PATENT COOPERATION TREATY (PCT)

(51) International Patent Classification⁴ : E06B 9/08	A1	(11) International Publication Number: WO 87/ 06299 (43) International Publication Date: 22 October 1987 (22.10.87)
(21) International Application Number: PCT/SE87/00185 (22) International Filing Date: 13 April 1987 (13.04.87) (31) Priority Application Number: 8601757-1 (32) Priority Date: 17 April 1986 (17.04.86) (33) Priority Country: SE (71) Applicant (for all designated States except US): NOMA-FA AB [SE/SE]; Gamletullsgatan 3, S-301 80 Halmstad (SE). (72) Inventor; and (75) Inventor/Applicant (for US only) : NILSSON, Ulf, Christer [SE/SE]; Ljunggatan 10, S-302 47 Halmstad (SE). (74) Agents: RYRLÉN, E. et al.; Alfons Hedbergs Patentbyrå AB, Aschebergsgatan 35, S-411 33 Göteborg (SE).		(81) Designated States: AT (European patent), AU, BE (European patent), BR, CH (European patent), DE (European patent), DK, FI, FR (European patent), GB (European patent), IT (European patent), JP, LU (European patent), NL (European patent), NO, SE (European patent), US. Published <i>With international search report.</i>

(54) Title: A DEVICE IN ROLL-UP DOORS**(57) Abstract**

Reinforcement elements intended for use in door leaves of the kind consisting of fabric or similar flexible material. The reinforcement elements preferably are in the shape of tubes (3, 4, 5) and have end pieces (9) attached to their ends for cooperation with a profiled guiding member (10) mounted in the door-frame of the door leaf in such a manner that when the door is being closed said reinforcement elements (3, 4, 5) will be positioned at different predetermined levels of the door leaf, thus strengthening the latter to prevent bulging of the door leaf when the latter is exposed to heavy winds.



FOR THE PURPOSES OF INFORMATION ONLY

Codes used to identify States party to the PCT on the front pages of pamphlets publishing international applications under the PCT.

AT	Austria	FR	France	ML	Mali
AU	Australia	GA	Gabon	MR	Mauritania
BB	Barbados	GB	United Kingdom	MW	Malawi
BE	Belgium	HU	Hungary	NL	Netherlands
BG	Bulgaria	IT	Italy	NO	Norway
BJ	Benin	JP	Japan	RO	Romania
BR	Brazil	KP	Democratic People's Republic of Korea	SD	Sudan
CF	Central African Republic	KR	Republic of Korea	SE	Sweden
CG	Congo	LI	Liechtenstein	SN	Senegal
CH	Switzerland	LK	Sri Lanka	SU	Soviet Union
CM	Cameroon	LU	Luxembourg	TD	Chad
DE	Germany, Federal Republic of	MC	Monaco	TG	Togo
DK	Denmark	MG	Madagascar	US	United States of America
FI	Finland				

A Device in Roll-up Doors

The subject invention concerns an improved roll-up door and particularly a device in roll-up doors of the kind comprising at least one flexible door leaf which may be wound onto a roller. Doors of this kind are generally intended for door openings which are large enough to allow passage-through of vehicles of considerable dimensions, for which reason the door leaf, usually in the form of a fabric, must have a considerable surface area. When powerful winds blow against doors made from fabric having a large surface area considerable problems may arise because the fabric will bend and bulge to an unacceptable degree. This may cause difficulties, such as sealing difficulties, particularly against the door-frame. The purpose of the subject invention is to remedy these problems.

The device in accordance with the invention consists of a number of reinforcement elements which extend crosswise relatively to the door leaf. The improved roll-up door is characterized therein that the reinforcement element or elements are not connected to the door leaf and are provided with end pieces which are arranged to cooperate dimensionally with abutments provided in profiled guiding members, located in the door frame for the purpose of setting said reinforcement elements at different predetermined levels.

Further advantages and characteristics will appear from the dependent claims and the following detailed description of a preferred embodiment.

The invention will be described in closer detail in the following with reference to the accompanying drawings, wherein

Fig. 1 is a lateral view of a door in accordance with the invention,

Figs. 2 and 3 illustrate, on an enlarged scale and in sectional views, details in a door in accordance with the invention, and

Fig. 4 is a lateral view of a door comprising double door leaves.

The door illustrated in Fig. 1 which may be of the kind shown and described in e.g. SE 7210759-2, comprises a roll-up door leaf 2 which

may be wound onto a roller 1. In accordance with the shown embodiment the door leaf 2 is of single leaf type and consists of heavy cloth. When a door of this kind is exposed to the effects of heavy wind the cloth 2 will bend, which in turn may result in sealing problems. To
5 eliminate problems of this kind it is suggested in accordance with the teachings of the subject invention to use one or several separate reinforcement elements, preferably in the manner shown, in the form of tubular elements 3, 4, 5 or elements of some other suitable profile configuration, so that these elements extend crosswise relatively to
10 the door leaf and across the entire width of the door. When the door is in its lower closed position the reinforcement elements 3, 4, 5 preferably will be spaced essentially equal distances apart. At its lower end the door leaf 2 is provided with a hook 6 which - as shown in Fig. 2 - is attached to the door leaf 2 by means of a stiffening rib 7.
15 When the door is being rolled up the hook therefore will lift the reinforcement elements 3, 4, 5 to a position adjacent the roll-up roller 1 of the door leaf 2 where the elements will be gathered adjacent each other.

As illustrated in Fig. 3 each end of the reinforcement elements
20 3, 4, 5 is provided with an end piece 9. The dimensions of the end pieces 9 are specific for each individual reinforcement element so that by providing profiled guiding members 10 which cooperate with the end pieces, with insets at unequal spacings, as illustrated in Figs. 1 and 2 - see details 11, 12 - it becomes possible to make the reinforcement
25 elements 3, 4, 5 stop in the desired vertical positions when the door is being closed.

To protect the hook 6 the profiled guiding member 10 preferably is provided with a protective guard 13. Preferably, the protective guard 13 is pivotable or easily removable to make the protected
30 components easily accessible for servicing, when required.

Fig. 4 illustrates a double-leaf door 2, 2'. In accordance with this embodiment the reinforcement elements 3, 4, 5 are positioned intermediate the two door leaves 2, 2' and consequently there is no need to use a hook of the kind shown in Fig. 1 and designated in that
35 drawing figure by numeral reference 6.

It is sufficient to provide a stiffening element 8 at the lower end of the door leaves 2, 2'. In other respects the reinforcement elements 3, 4, 5 function in a manner identical with that described in connection with Fig. 1.

5 The invention is not limited to the embodiments shown and described in the foregoing but a number of modifications are possible within the scope of the appended claims. As already mentioned in the foregoing it is possible to use reinforcement elements 3, 4, 5 of cross-sectional configurations different from that shown. The hook 6
10 intended to lift the reinforcement elements 3, 4, 5 may be attached to the door leaf 2 in any convenient manner other than that shown.

CLAIMS

1. A device in roll-up doors of the kind comprising at least one flexible door leaf (2) which is arranged to be wound onto a roller (1), said device comprising at least one reinforcement element (3, 4, 5) which extends crosswise relatively to the door leaf, characterized therein that the reinforcement element or elements (3, 4, 5) are not connected to said door leaf (2) and are provided with end pieces (9) which are arranged to cooperate dimensionally with abutments (11, 12) provided in profiled guiding members (10) located in the door frame for the purpose of setting said reinforcement elements (3, 4, 5) at different predetermined levels.

2. A device as claimed in claim 1, characterized therein that said reinforcement elements are in the shape of tubes (3, 4, 5).

3. A device as claimed in any one of the preceding claims, characterized therein that the diameter of the end pieces (9) at the ends of the reinforcement elements (3, 4, 5) exceeds the diameters of the tubular reinforcement elements (3, 4, 5) for cooperation with a profiled guiding member (10).

4. A device as claimed in any one of the preceding claims, characterized therein that said profiled guiding member (10) is provided with a protective guard (13).

Fig.1

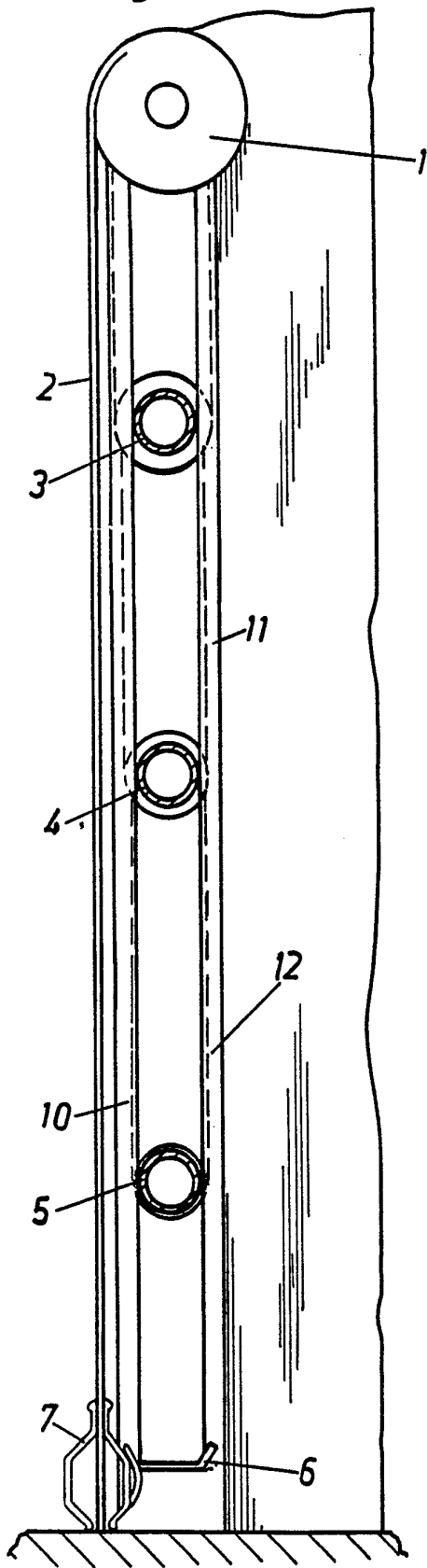
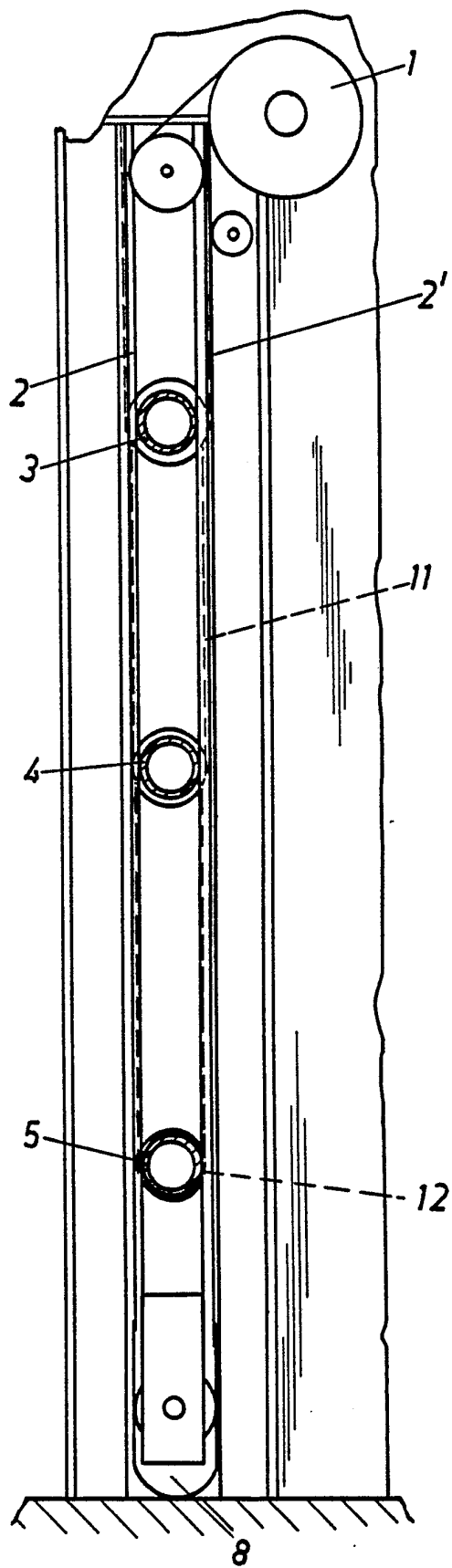


Fig.4



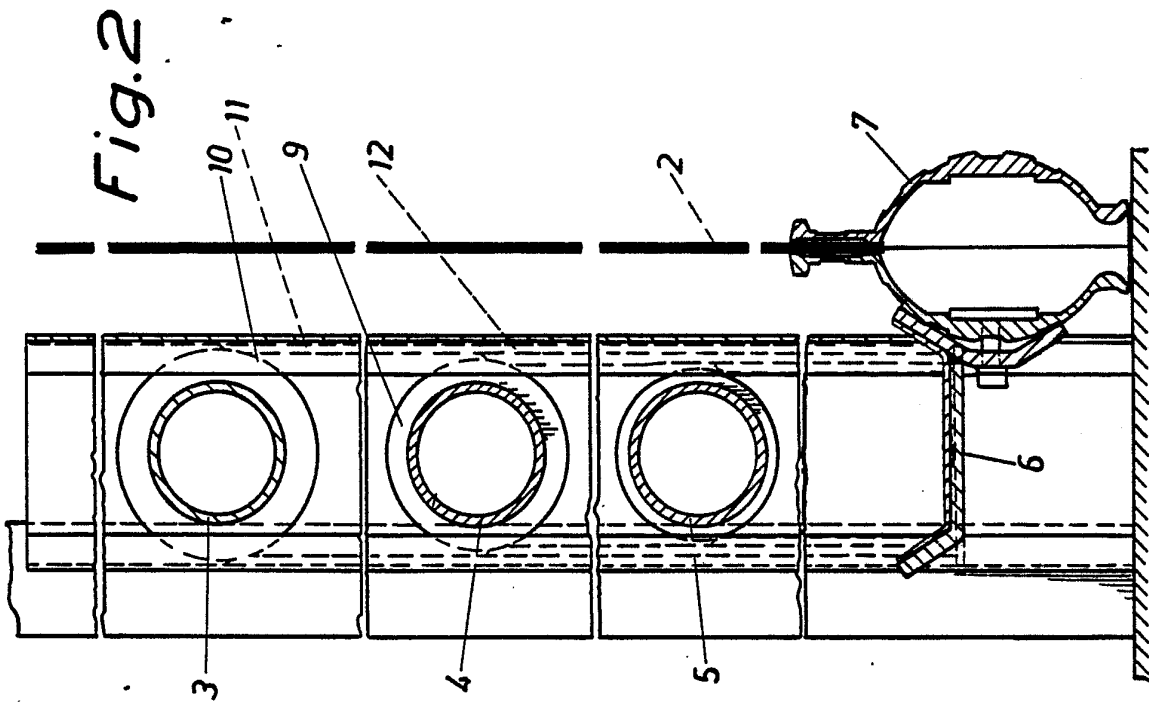
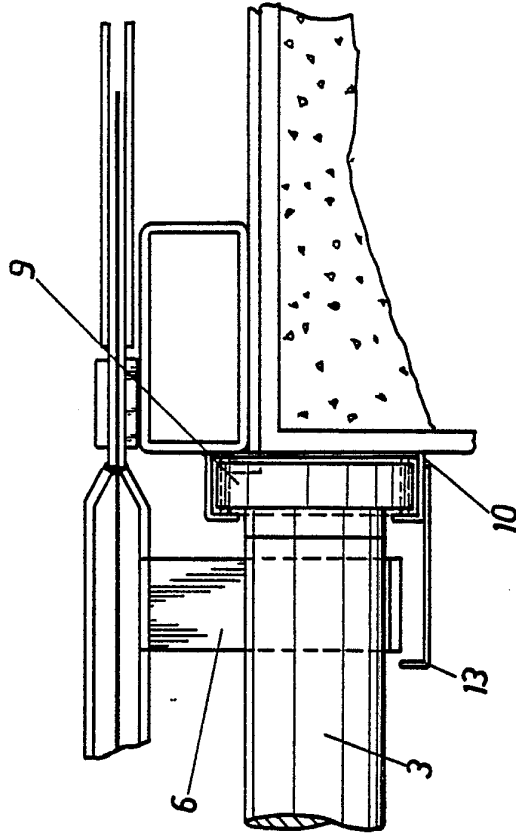


Fig. 3



INTERNATIONAL SEARCH REPORT PCT/SE87/00185

International Application No

I. CLASSIFICATION OF SUBJECT MATTER (if several classification symbols apply, indicate all) ⁶		
According to International Patent Classification (IPC) or to both National Classification and IPC		
E. 06 B 9/08		4
II. FIELDS SEARCHED		
Minimum Documentation Searched ⁷		
Classification System	Classification Symbols	
IPC 4	E 06 B 9/00, /08-/12; A 47 H. 23/14	
US C1	29:429; 160:5, 26, 84, 98-100, 260-289	
Documentation Searched other than Minimum Documentation to the Extent that such Documents are included in the Fields Searched ⁸		
SE, NO, DK, FI classes as above		
III. DOCUMENTS CONSIDERED TO BE RELEVANT ⁹		
Category ¹⁰	Citation of Document, ¹¹ with indication, where appropriate, of the relevant passages ¹²	Relevant to Claim No. ¹³
A	EP, A3, 159 092 (B. COENRAETS) 23 October 1985	
A	US, A, 3 292 685 (ML. CLARK) 20 December 1966	
A	US, A, 3 430 677 (E.E. PIERCE) 4 March 1969	
<p>¹⁰ Special categories of cited documents:</p> <p>"A" document defining the general state of the art which is not considered to be of particular relevance</p> <p>"E" earlier document but published on or after the international filing date</p> <p>"L" document which may throw doubts on priority claim(s) or which is cited to establish the publication date of another citation or other special reason (as specified)</p> <p>"O" document referring to an oral disclosure, use, exhibition or other means</p> <p>"P" document published prior to the international filing date but later than the priority date claimed</p> <p>"T" later document published after the international filing date or priority date and not in conflict with the application but cited to understand the principle or theory underlying the invention</p> <p>"X" document of particular relevance; the claimed invention cannot be considered novel or cannot be considered to involve an inventive step</p> <p>"Y" document of particular relevance; the claimed invention cannot be considered to involve an inventive step when the document is combined with one or more other such documents, such combination being obvious to a person skilled in the art.</p> <p>"&" document member of the same patent family</p>		
IV. CERTIFICATION		
Date of the Actual Completion of the International Search	Date of Mailing of this International Search Report	
1987-07-06	1987 -07- 0 9	
International Searching Authority	Signature of Authorized Officer	
Swedish Patent Office	Leif Törn 