



US0D1004580S

(12) **United States Design Patent**
Peng

(10) **Patent No.:** **US D1,004,580 S**

(45) **Date of Patent:** **** Nov. 14, 2023**

(54) **PHONE MOUNT**

(71) Applicant: **Shasha Li, Xi'an (CN)**

(72) Inventor: **Zhihua Peng, Zhen'an (CN)**

(73) Assignee: **Shasha Li**

(**) Term: **15 Years**

(21) Appl. No.: **29/761,226**

(22) Filed: **Dec. 8, 2020**

(51) **LOC (14) Cl.** **14-03**

(52) **U.S. Cl.**
USPC **D14/253**

(58) **Field of Classification Search**
USPC D3/218, 215; D6/675, 656.1, 675.1, 672, D6/673, 675.4, 553, 676, 310, 300, 682.3, D6/460; D8/349, 363, 313, 394-396, 72, D8/74; D12/415, 223, 114, 420, 414, D12/407, 177; D13/107, 108; D14/447, D14/451, 452, 440, 432-434, 458, 457, D14/460, 238.1, 140, 142, 149, 217, 148, D14/140.8, 140.11, 209.1, 151, 140.9, D14/238, 250-253; D16/242-245, 250, D16/237, 203, 214, 219; D21/455, 799.1, D21/8, 713, 796
CPC H04M 1/02; H04M 1/04; H04M 1/11; H04M 1/12; A47F 7/022; F16M 11/00; F16M 11/04; F16M 11/041; F16M 11/02; F16M 11/06; F16M 13/00; B62J 11/00; B60R 11/02; H05K 7/00; G03B 17/56
See application file for complete search history.

(56) **References Cited**

U.S. PATENT DOCUMENTS

D386,215 S * 11/1997 White D8/395
D427,178 S * 6/2000 Cory D14/248
D637,480 S * 5/2011 Chen D19/65
D790,528 S * 6/2017 Lindloff D14/253
D847,789 S * 5/2019 Virhiä D14/217

D867,356 S * 11/2019 Tan D12/415
D878,377 S * 3/2020 Tur D14/440
D897,332 S * 9/2020 Zhang D3/218

(Continued)

FOREIGN PATENT DOCUMENTS

EM 008406466-0001 * 1/2021
JP D1675368 * 12/2020

OTHER PUBLICATIONS

Car Phone Mount, Fonken Cell Phone Holder for Car 360 Degree Rotation Dashboard Clip Mount Car Phone Stand, Oct. 21, 2020 [online], retrieved Oct. 17, 2022, retrieved from the internet: < https://www.amazon.com/FONKEN-Rotation-Dashboard-Compatible-Samsung/dp/B08LKTZ91X/ref=sr_1_16?> (Year: 2020).*

(Continued)

Primary Examiner — Janice Hallmark
Assistant Examiner — Rodolfo Castro, Jr.
(74) *Attorney, Agent, or Firm* — Jose Cherson Weissbrot

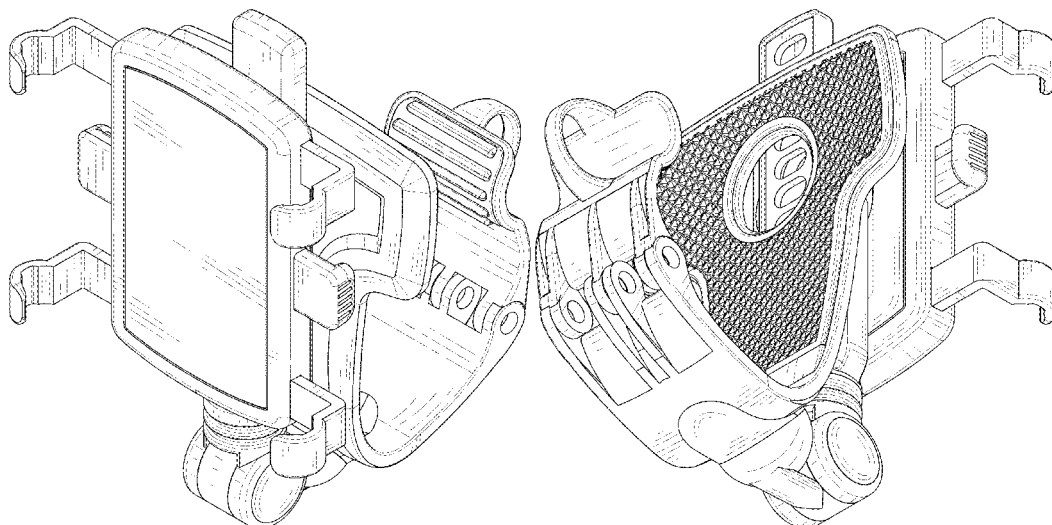
(57) **CLAIM**

The ornamental design for a phone mount, as shown and described.

DESCRIPTION

FIG. 1 is a front elevational view of a phone mount showing my new design;
FIG. 2 is a rear elevational view thereof;
FIG. 3 is a left side view thereof;
FIG. 4 is a right side view thereof;
FIG. 5 is a top plan view thereof;
FIG. 6 is a bottom plan view thereof;
FIG. 7 is a perspective view of a phone mount showing my new design; and,
FIG. 8 is another perspective view thereof.
The broken lines illustrate portions of the environment structure which forms no part of the claimed design.

1 Claim, 8 Drawing Sheets



(56)

References Cited

U.S. PATENT DOCUMENTS

D897,334 S * 9/2020 Peng D14/253
D900,087 S * 10/2020 Leeds-Frank D14/253
D926,107 S * 7/2021 Leeds-Frank D12/415
D926,108 S * 7/2021 Leeds-Frank D12/415
D931,229 S * 9/2021 Saeki D13/154
D931,286 S * 9/2021 Tur D14/440
D963,636 S * 9/2022 Gan D14/253

OTHER PUBLICATIONS

Vicseed Phone Mount for Car [Lifesaver to Keep Eyes on Road]
Mount in front of Steering Wheel, Aug. 13, 2022 [online], retrieved
Oct. 17, 2022, retrieved from the internet: < https://www.amazon.com/dp/B0B74TNGP7/ref=sspa_dk_detail_3? > (Year: 2022).*

* cited by examiner

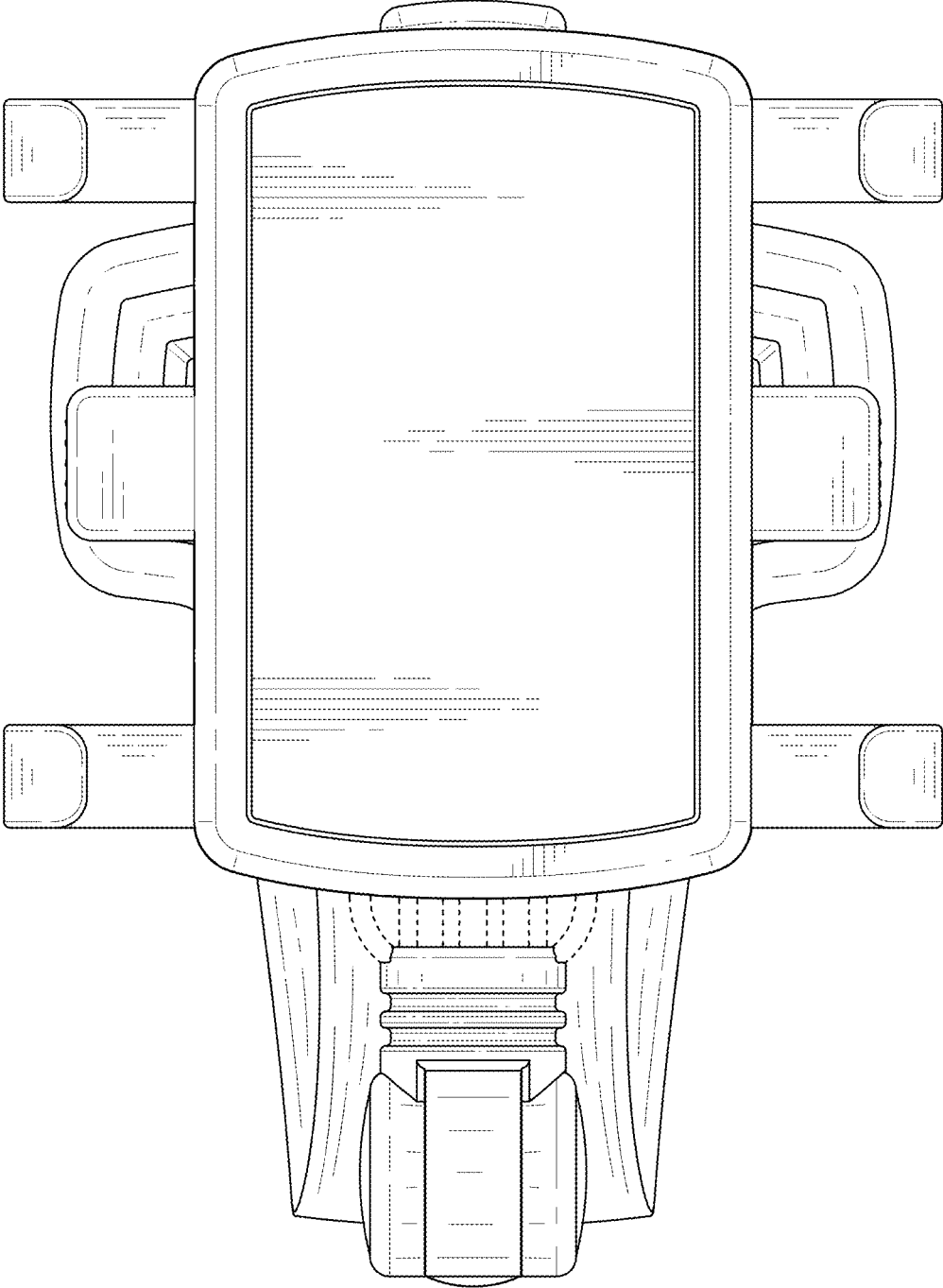


FIG. 1

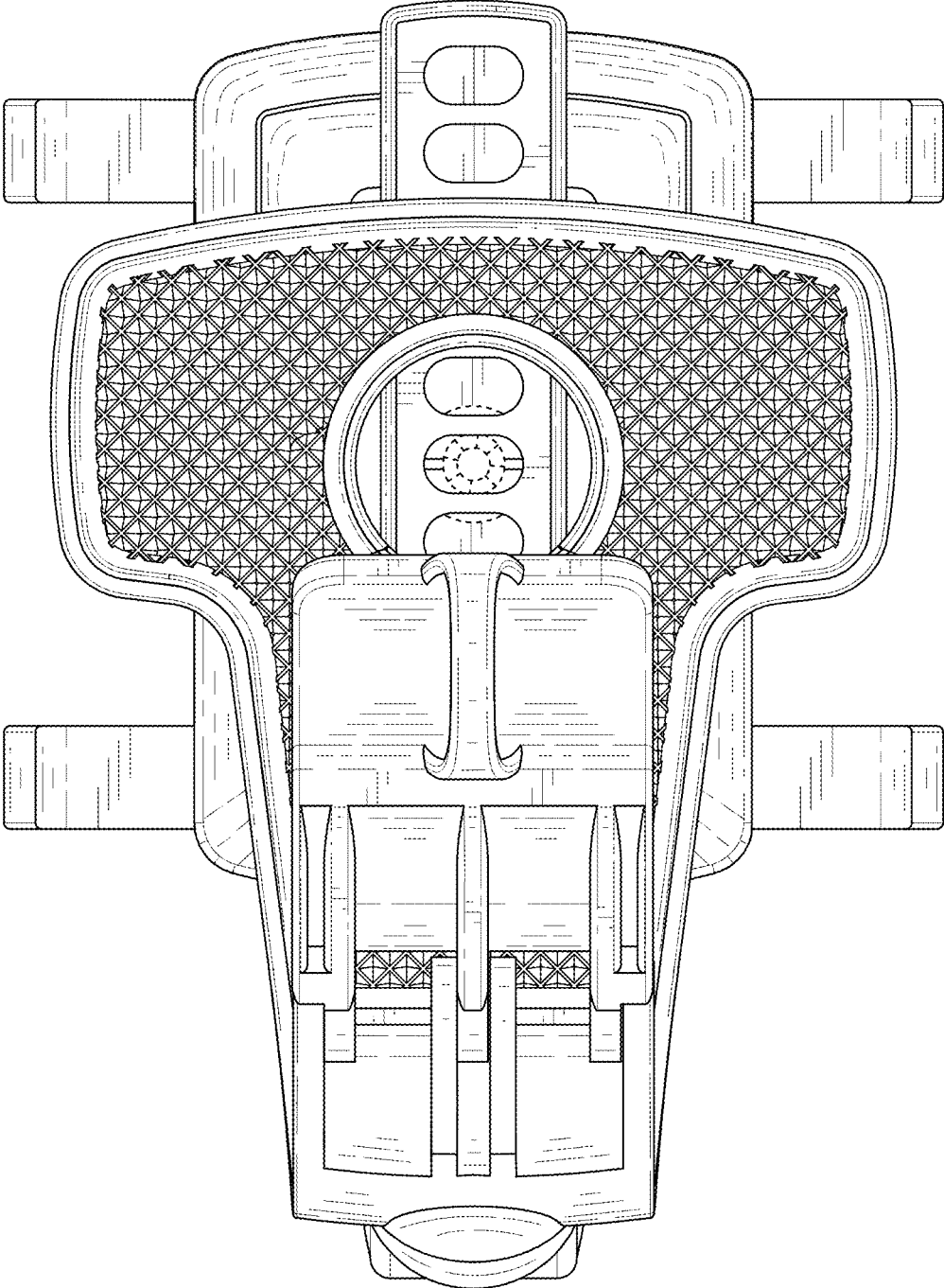


FIG. 2

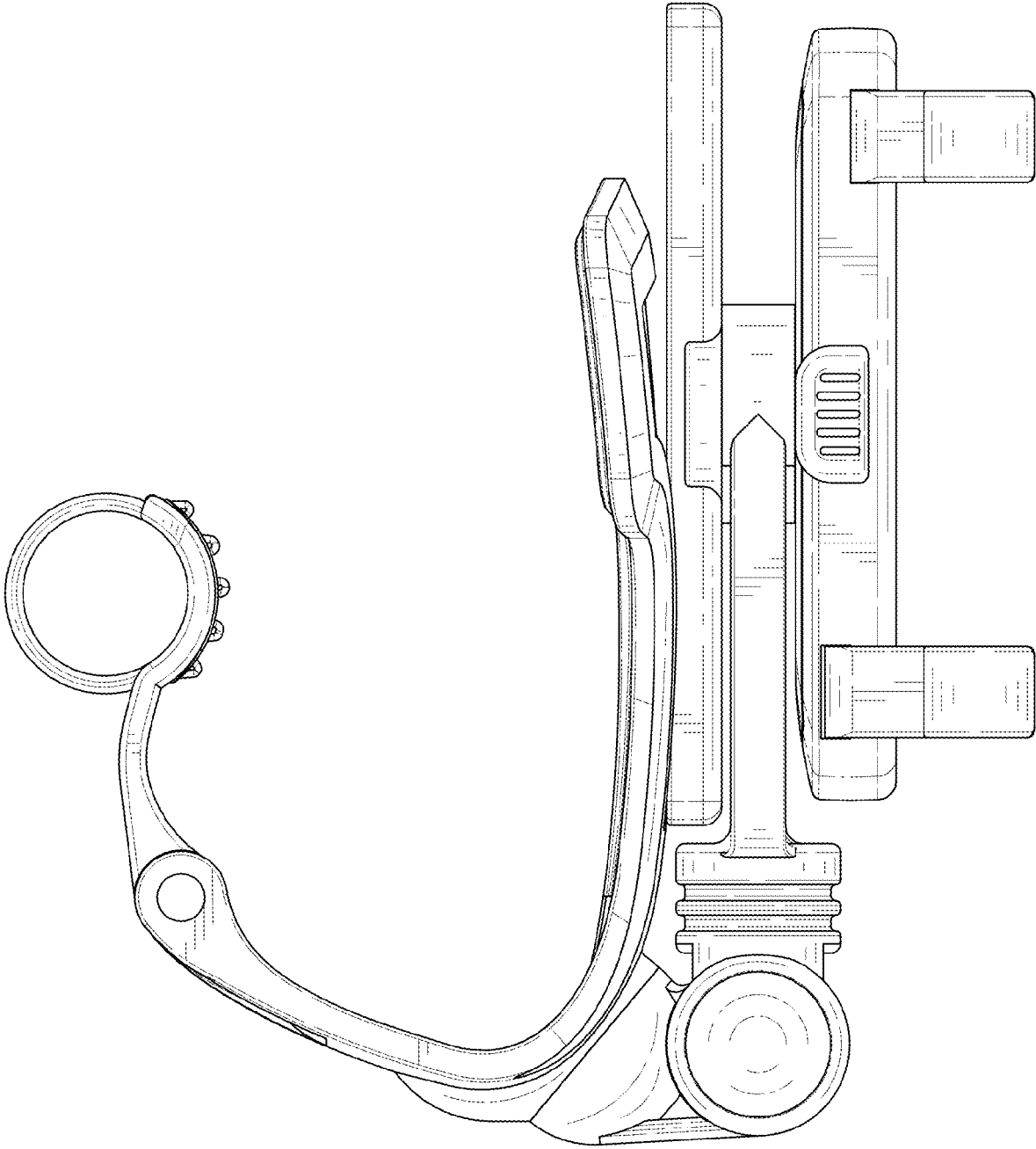


FIG. 3

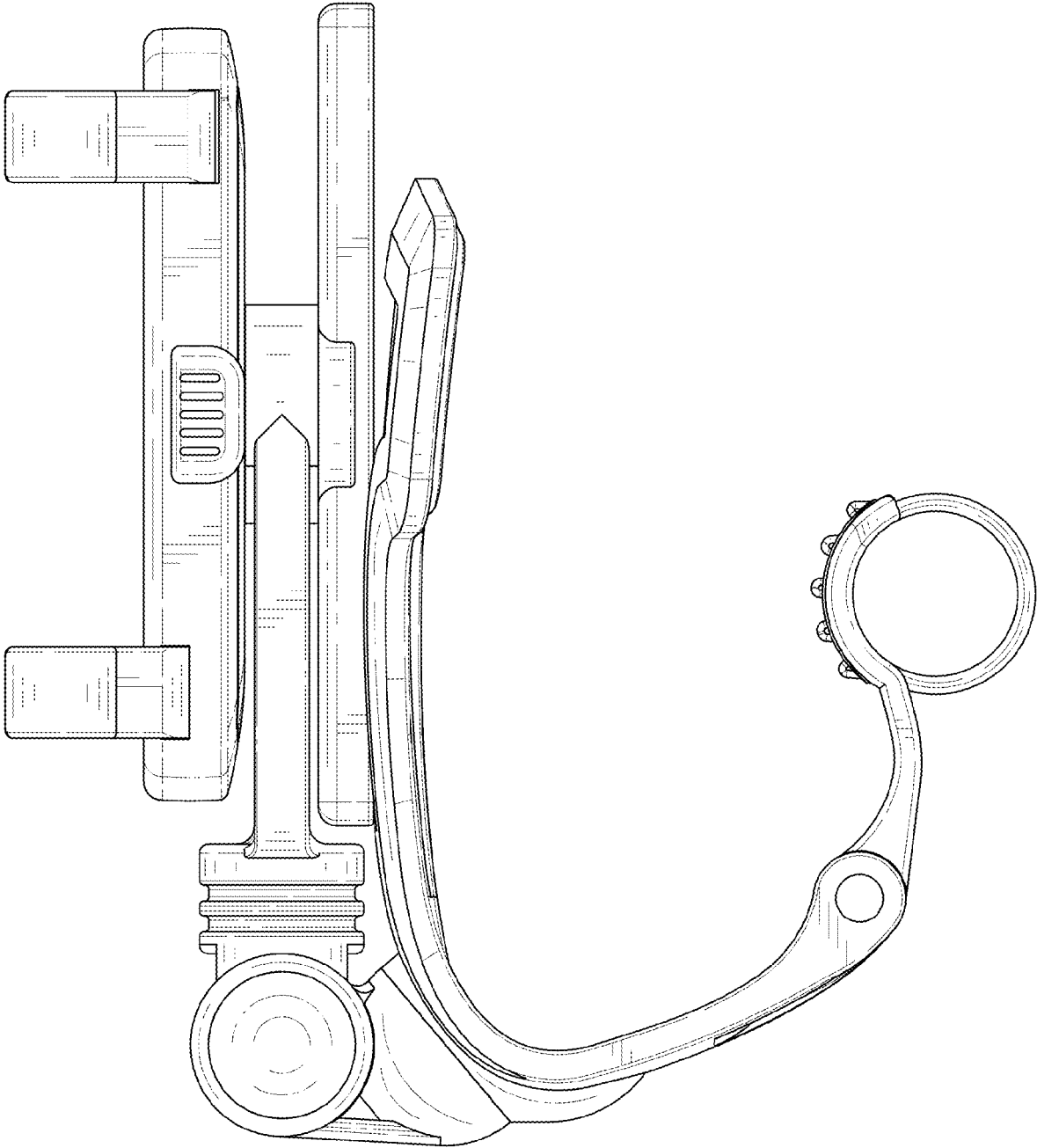


FIG. 4

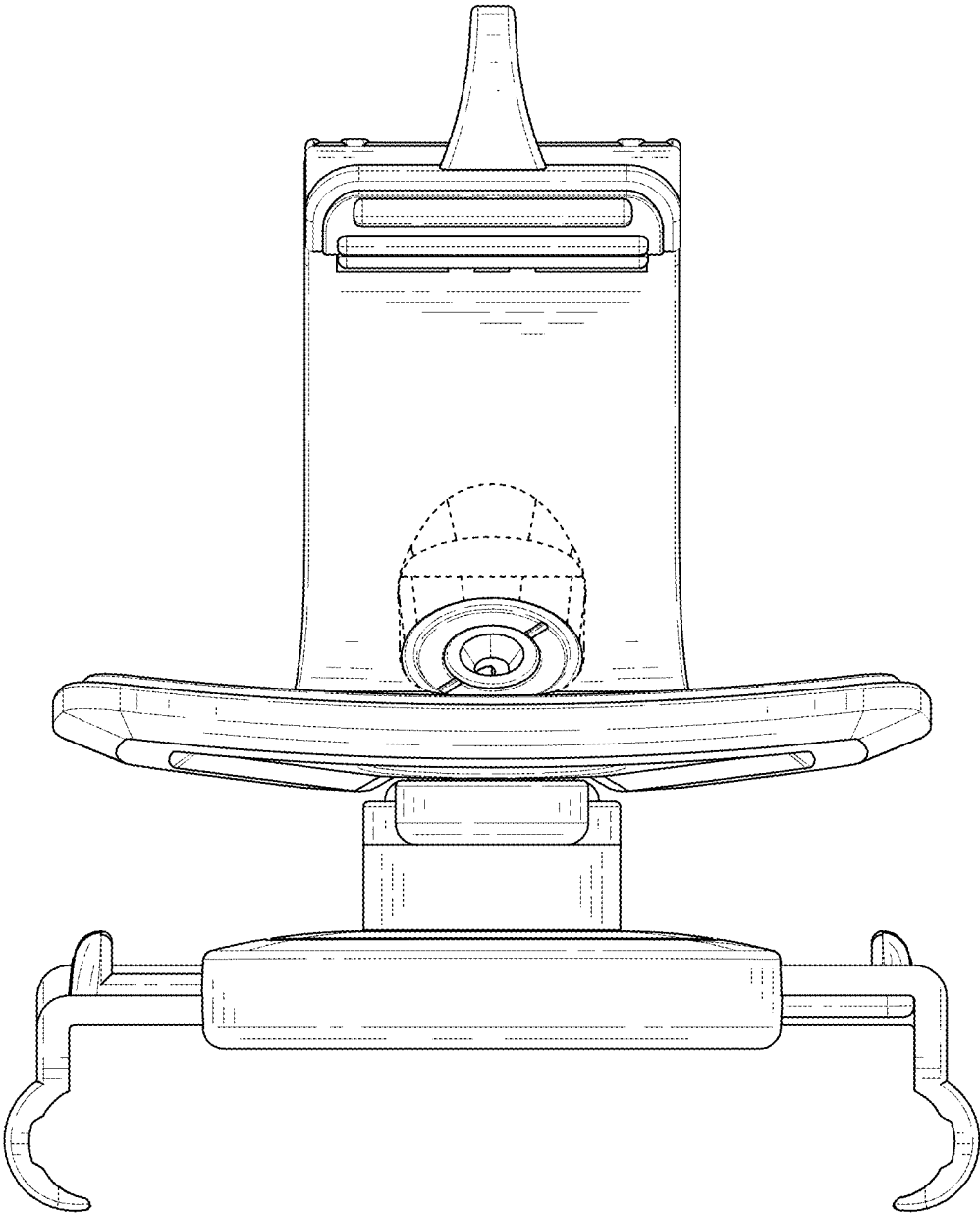


FIG. 5

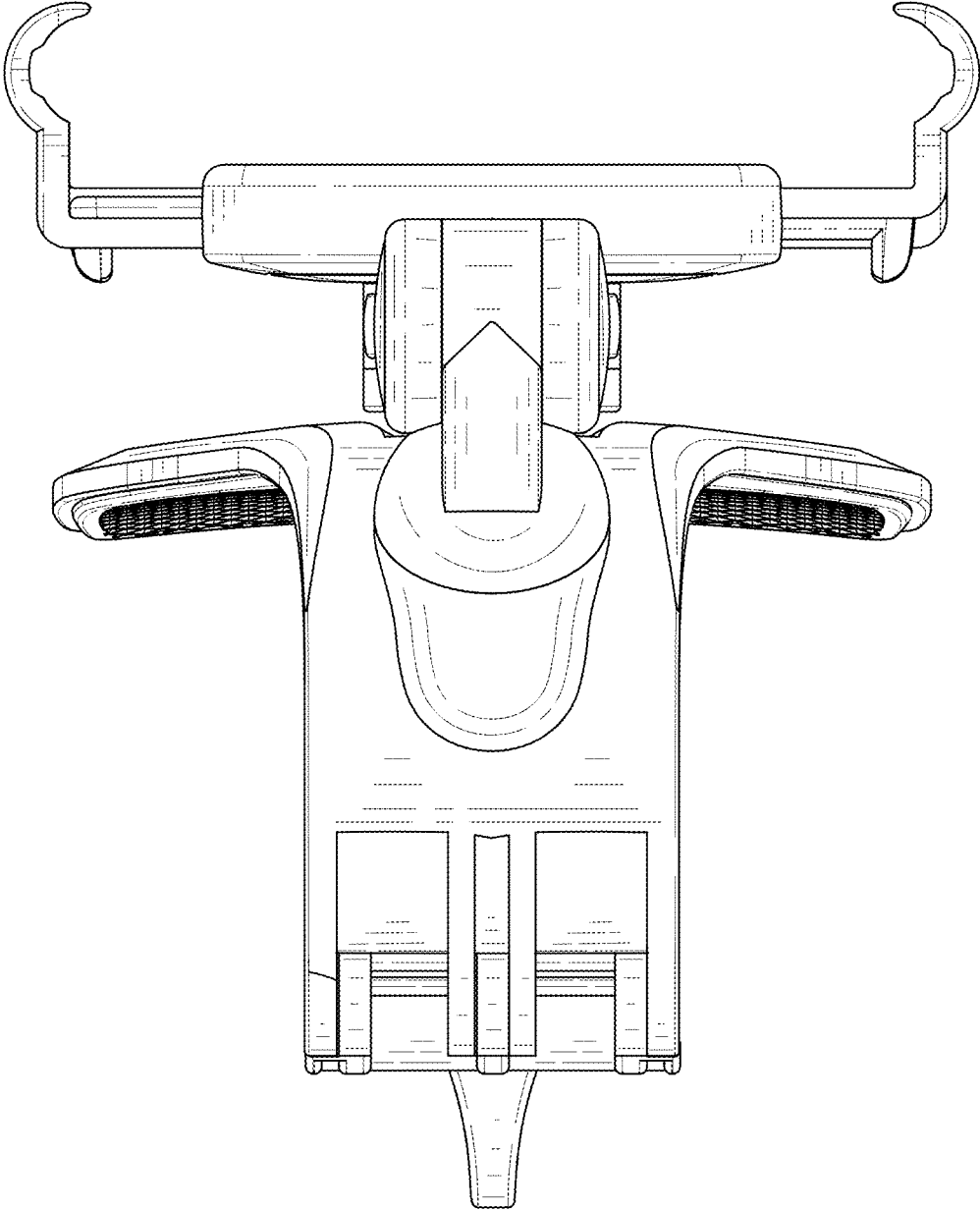


FIG. 6

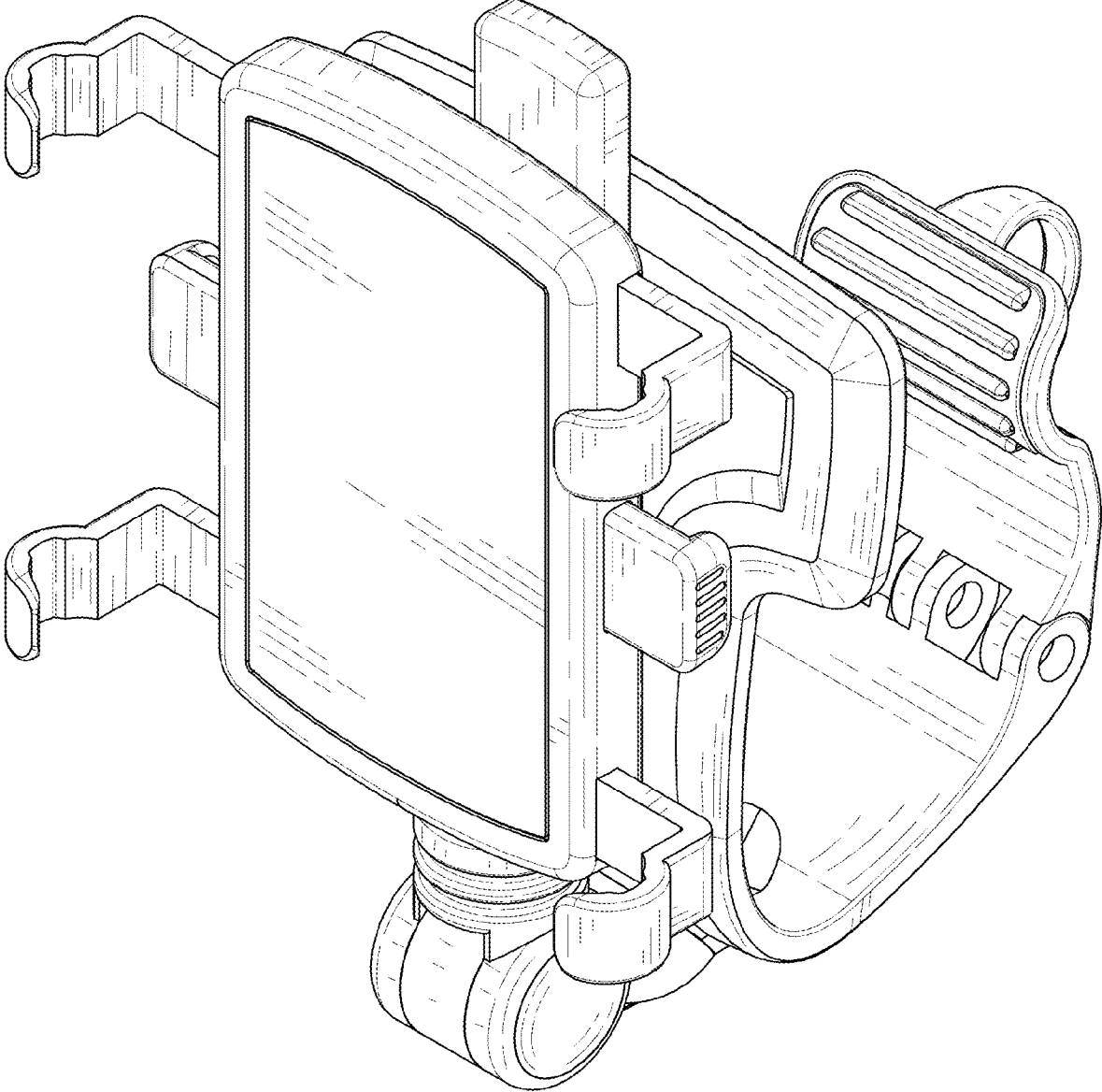


FIG. 7

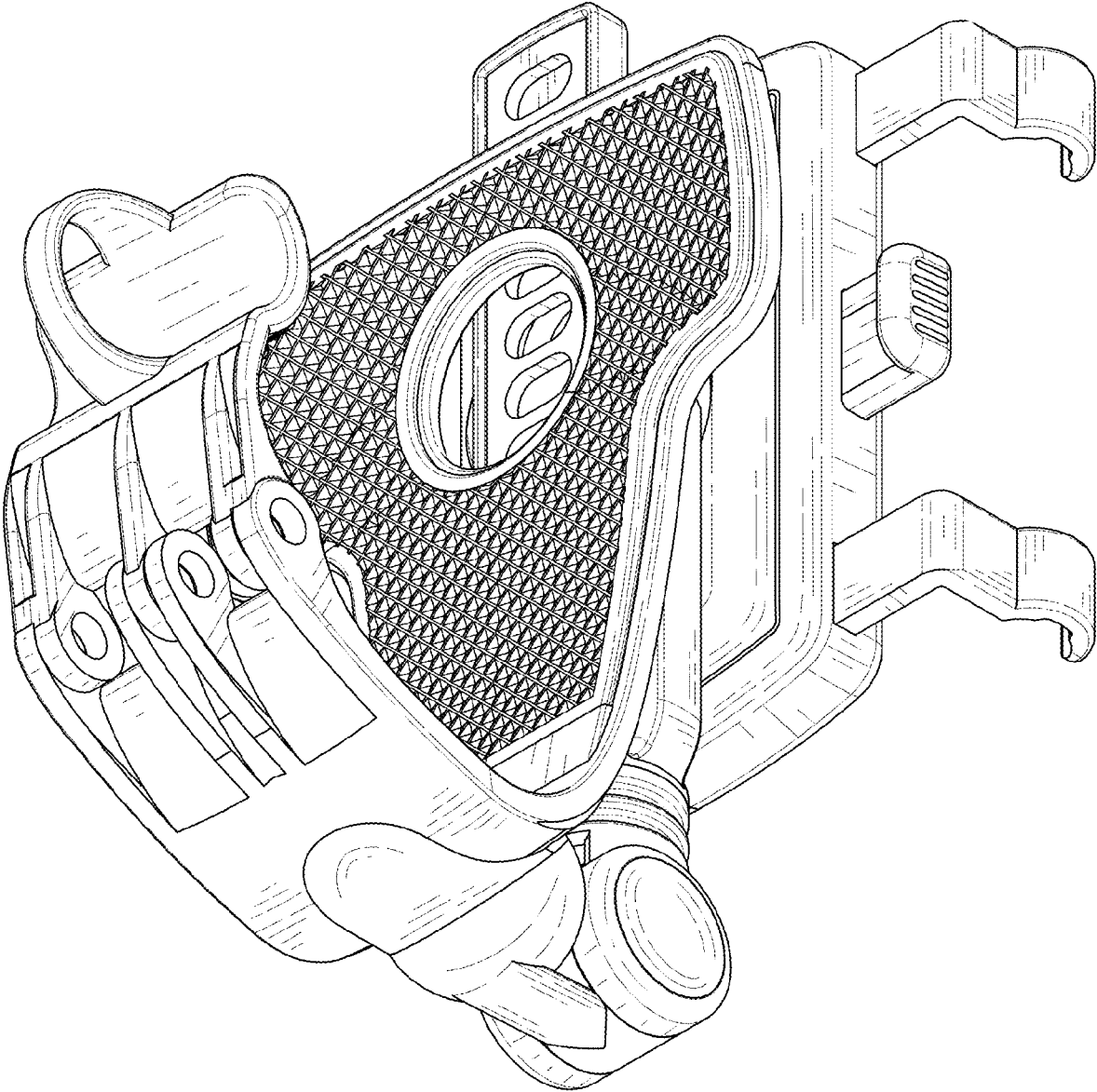


FIG. 8