



US00D582055S

(12) **United States Design Patent**
Moller et al.

(10) **Patent No.:** **US D582,055 S**

(45) **Date of Patent:** **** Dec. 2, 2008**

(54) **SKYLIGHT WINDOW FRAME**

(75) Inventors: **Brent Moller**, Gentoft (DK); **Niels Adelholm Larsen**, Rodovre (DK); **Per Jacobsen**, Horsens (DK)

(73) Assignee: **VKR Holding A/S**, Søborg (DK)

(**) Term: **14 Years**

(21) Appl. No.: **29/234,136**

(22) Filed: **Jul. 14, 2005**

(30) **Foreign Application Priority Data**

Jan. 24, 2005 (EM) 000284633-0001/0002

(51) **LOC (8) Cl.** **25-02**

(52) **U.S. Cl.** **D25/60**

(58) **Field of Classification Search** D25/60,
D25/52, 199; 52/58, 200, 60
See application file for complete search history.

(56) **References Cited**

U.S. PATENT DOCUMENTS

- D312,506 S * 11/1990 Schalle D25/199
- D382,347 S * 8/1997 Grubb D25/52
- D385,363 S * 10/1997 Sølbeck D25/60
- 5,675,940 A * 10/1997 Bahar et al. 52/58
- D390,976 S * 2/1998 Weston D25/199
- D396,301 S * 7/1998 Fujimoto et al. D25/52

- D448,095 S * 9/2001 Merideth D25/199
- D489,834 S * 5/2004 Weston D25/199
- 2003/0056444 A1* 3/2003 Ackerman, Jr. 52/58
- 2003/0066254 A1* 4/2003 DeBlock 52/200
- 2003/0079422 A1* 5/2003 Bracale 52/200

* cited by examiner

Primary Examiner—Doris Clark

(74) *Attorney, Agent, or Firm*—Merek, Blackmon & Voorhees, LLC

(57) **CLAIM**

The ornamental design for a skylight window frame, as shown and described.

DESCRIPTION

FIG. 1 is a perspective view taken from the front, bottom and right side of a window showing our design;

FIG. 2 is a perspective view taken from the front, top and right side of the window of FIG. 1;

FIG. 3 is a front elevation of the window of FIG. 1;

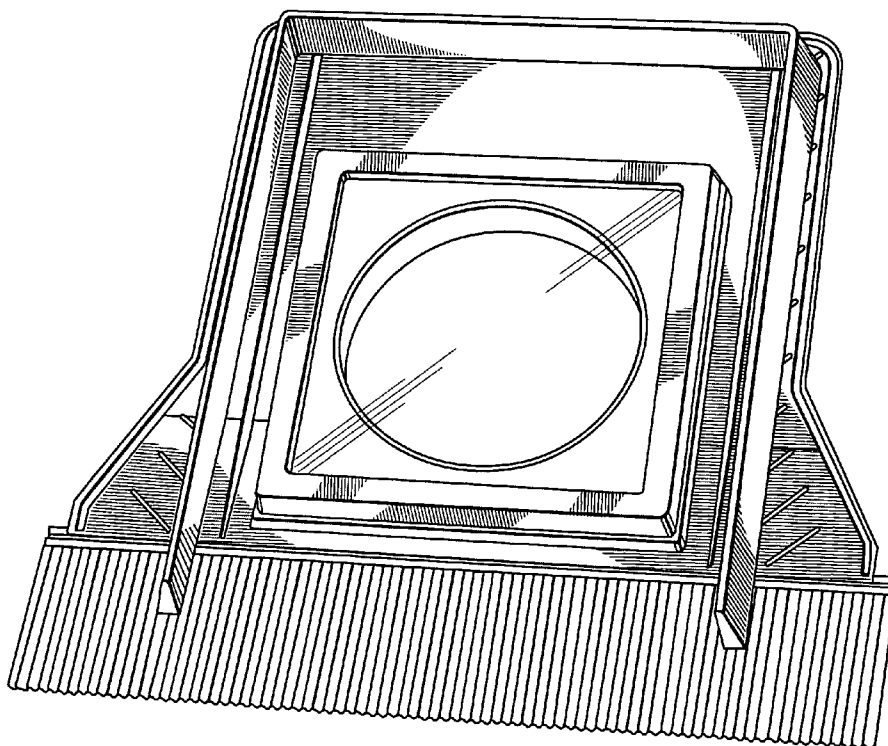
FIG. 4 is a right side elevation of the window of FIG. 1, turned 90 degrees from its orientation in FIG. 1;

FIG. 5 is a bottom plan view of the window of FIG. 1;

FIG. 6 is a top plan view of the window of FIG. 1; and,

FIG. 7 is a rear elevation of the window of FIG. 1.

1 Claim, 5 Drawing Sheets



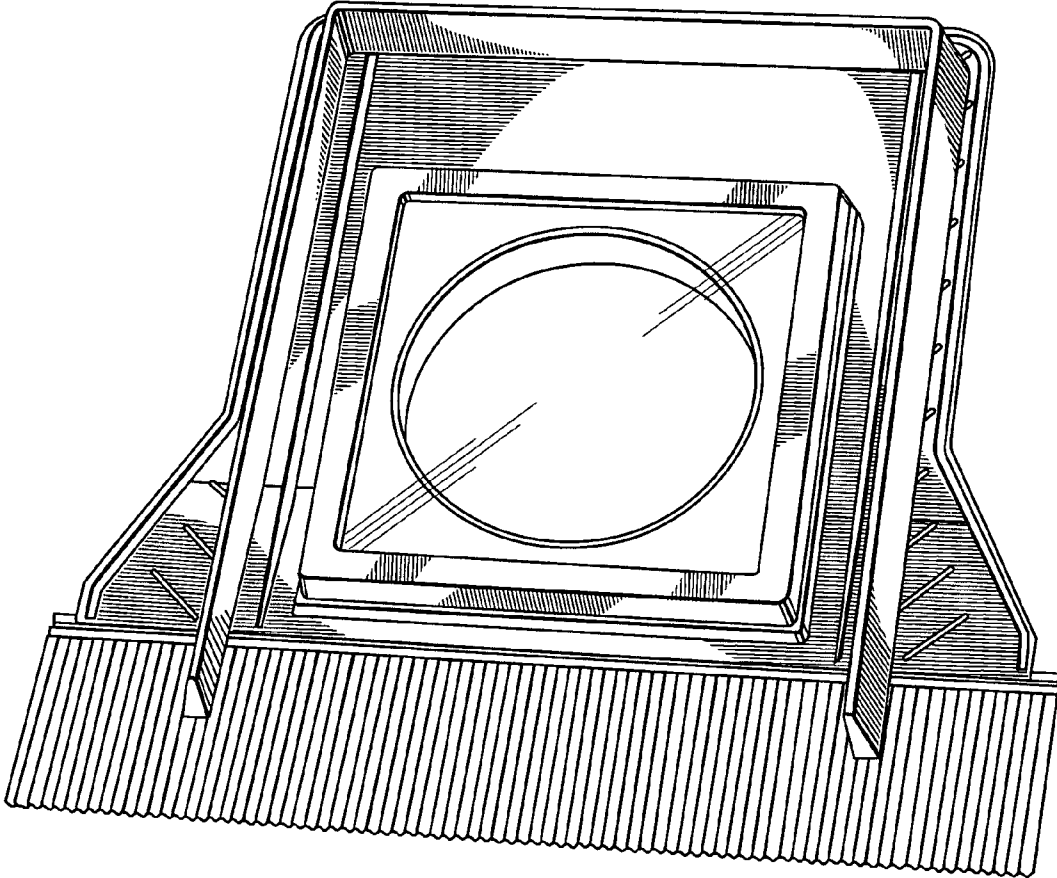


FIG. 1

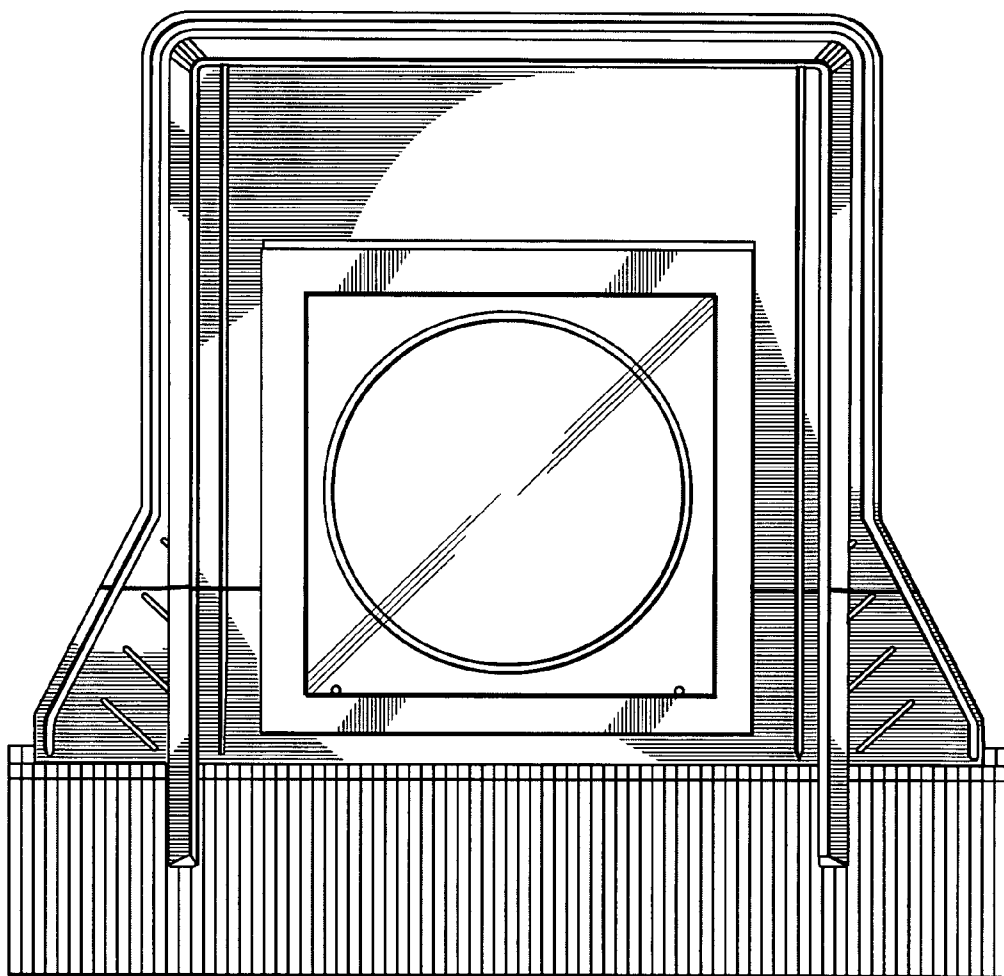


FIG. 2

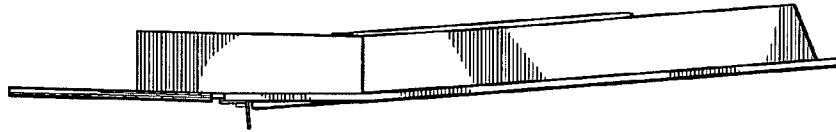


FIG. 3

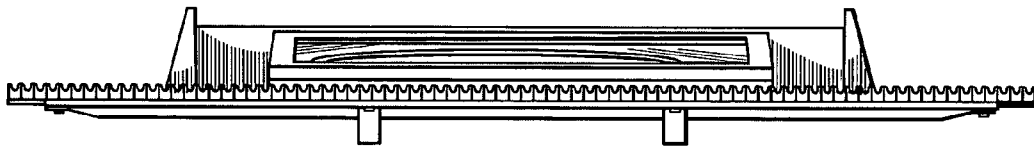


FIG. 4



FIG. 5

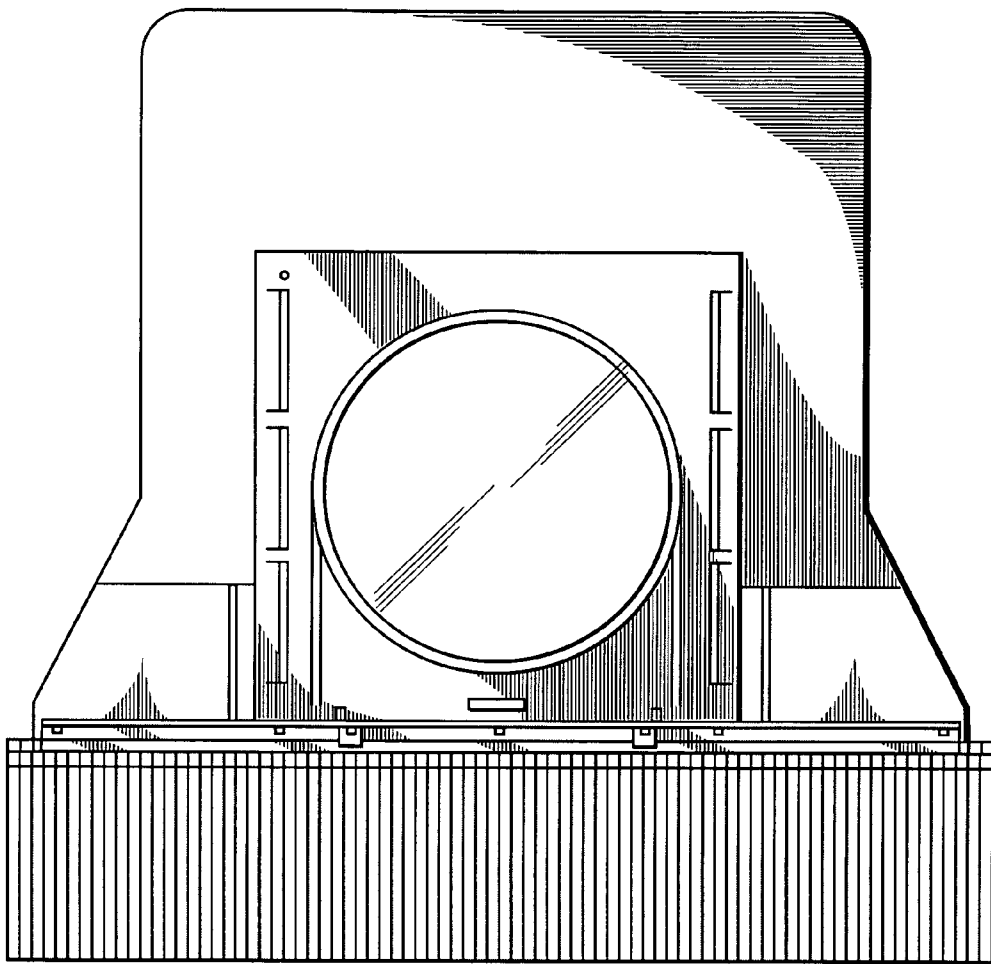


FIG. 6

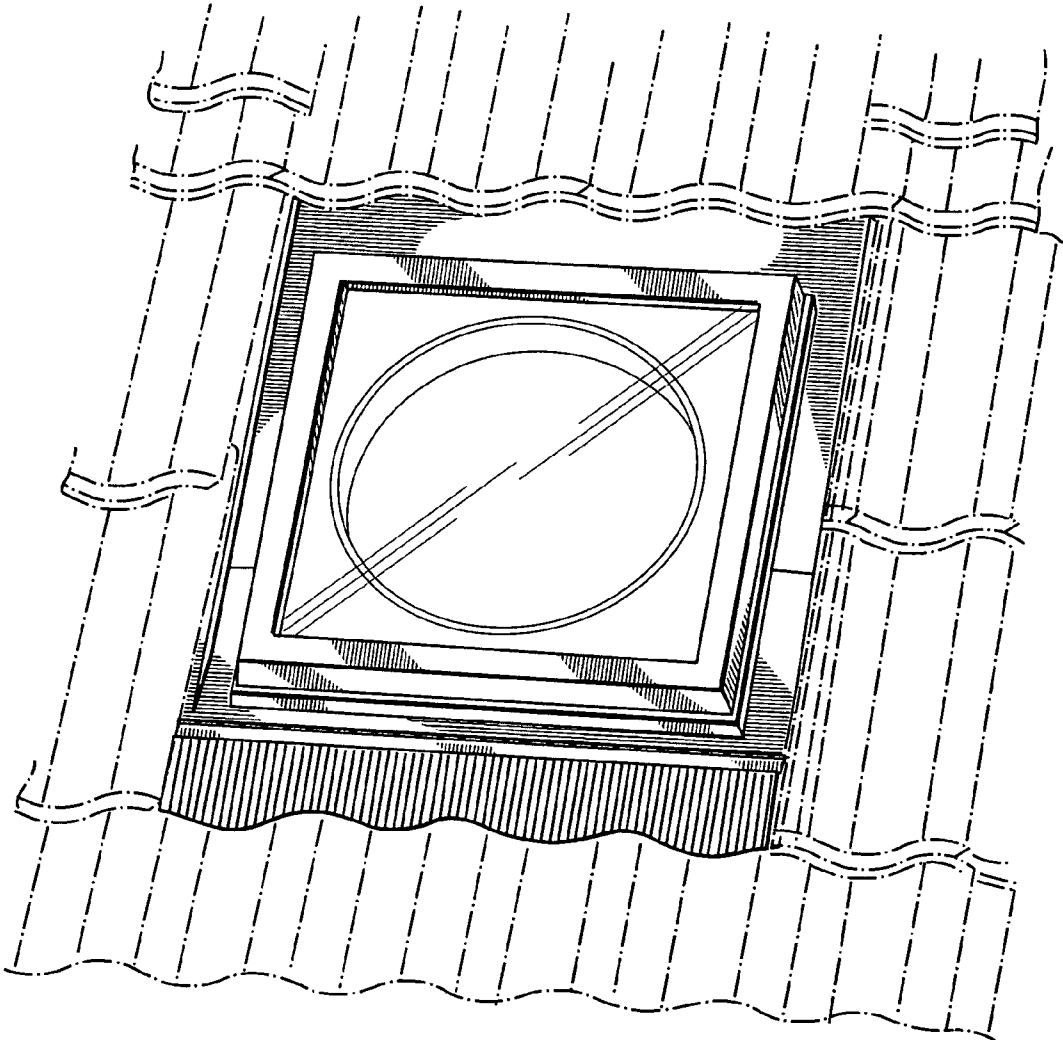


FIG. 7