

(19) World Intellectual Property Organization  
International Bureau



(43) International Publication Date  
11 October 2007 (11.10.2007)

PCT

(10) International Publication Number  
**WO 2007/113839 A3**

- (51) International Patent Classification:  
*H04N 7/18* (2006.01)
- (21) International Application Number:  
PCT/IL2007/000458
- (22) International Filing Date: 10 April 2007 (10.04.2007)
- (25) Filing Language: English
- (26) Publication Language: English
- (30) Priority Data:  
60/788,114 3 April 2006 (03.04.2006) US
- (71) Applicant (for all designated States except US): **GIVEN IMAGING LTD.** [IL/IL]; 2 Hacarmel St. New Industrial Park, 20692 Yoqneam (IL).
- (72) Inventors; and
- (75) Inventors/Applicants (for US only): **RABINOVITZ, Elisha** [IL/IL]; 4 Anda Amir Street, 34992 Haifa (IL). **KATZ, Emil-Israel** [IL/IL]; 22 Hashalva St., 56548 Savyon (IL).
- (74) Agent: **PEARL COHEN ZEDEK LATZER**; P.O. Box 12704, 46733 Herzelia (IL).

- (81) Designated States (unless otherwise indicated, for every kind of national protection available): AE, AG, AL, AM, AT, AU, AZ, BA, BB, BG, BH, BR, BW, BY, BZ, CA, CH, CN, CO, CR, CU, CZ, DE, DK, DM, DZ, EC, EE, EG, ES, FI, GB, GD, GE, GH, GM, GT, HN, HR, HU, ID, IL, IN, IS, JP, KE, KG, KM, KN, KP, KR, KZ, LA, LC, LK, LR, LS, LT, LU, LY, MA, MD, MG, MK, MN, MW, MX, MY, MZ, NA, NG, NI, NO, NZ, OM, PG, PH, PL, PT, RO, RS, RU, SC, SD, SE, SG, SK, SL, SM, SV, SY, TJ, TM, TN, TR, TT, TZ, UA, UG, US, UZ, VC, VN, ZA, ZM, ZW.
- (84) Designated States (unless otherwise indicated, for every kind of regional protection available): ARIPO (BW, GH, GM, KE, LS, MW, MZ, NA, SD, SL, SZ, TZ, UG, ZM, ZW), Eurasian (AM, AZ, BY, KG, KZ, MD, RU, TJ, TM), European (AT, BE, BG, CH, CY, CZ, DE, DK, EE, ES, FI, FR, GB, GR, HU, IE, IS, IT, LT, LU, LV, MC, MT, NL, PL, PT, RO, SE, SI, SK, TR), OAPI (BF, BJ, CF, CG, CI, CM, GA, GN, GQ, GW, ML, MR, NE, SN, TD, TG).

Published:  
— with international search report

[Continued on next page]

(54) Title: DEVICE, SYSTEM AND METHOD FOR IN-VIVO ANALYSIS

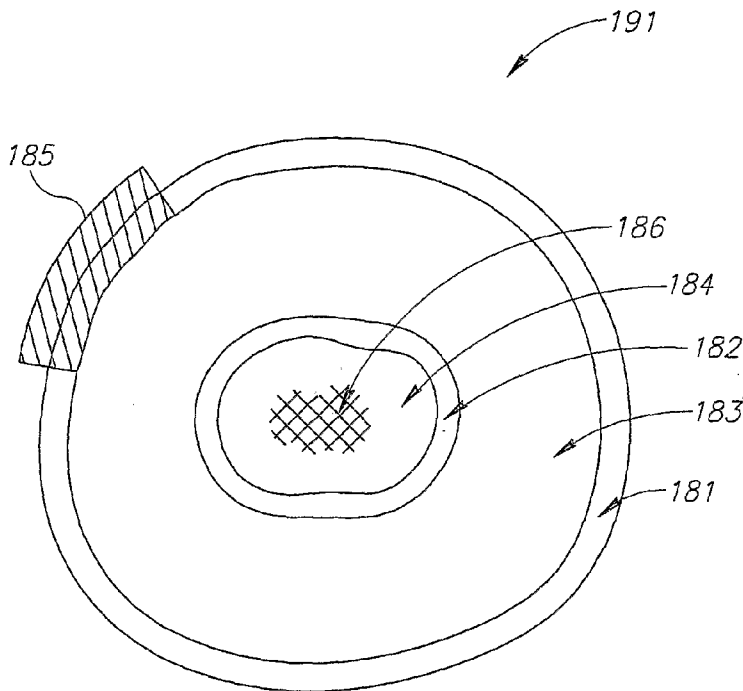


FIG. 4A

(57) Abstract: An in-vivo imaging device, typically an autonomous capsule, having a housing, the housing comprising a window; an illumination source located within the housing to illuminate a body lumen through the window; an imager to receive light reflected from the body lumen through the window; and a transmitter to transmit image data to a receiving system. The window is coated with liposomes containing a marker such that the imager may acquire images which include the marking.

WO 2007/113839 A3



---

— *the filing date of the international application is within two months from the date of expiration of the priority period* (88) **Date of publication of the international search report:**  
26 March 2009

**INTERNATIONAL SEARCH REPORT**

International application No.

PCT/IL07/00458

**A. CLASSIFICATION OF SUBJECT MATTER**

IPC: H04N 7/18( 2006.01)

USPC: 348/76

According to International Patent Classification (IPC) or to both national classification and IPC

**B. FIELDS SEARCHED**

Minimum documentation searched (classification system followed by classification symbols)

U.S. : 348/76, 77

Documentation searched other than minimum documentation to the extent that such documents are included in the fields searched

Electronic data base consulted during the international search (name of data base and, where practicable, search terms used)

EAST

**C. DOCUMENTS CONSIDERED TO BE RELEVANT**

Category *	Citation of document, with indication, where appropriate, of the relevant passages	Relevant to claim No.
Y	US 5,604,531 (IDDAN et al) 18 February 1997, figure 9, column 6, lines 15-62.	1-3
Y	Derwent-ACC-NO: 2003-109809, page 2, lines 3-13.	1-3

Further documents are listed in the continuation of Box C.

See patent family annex.

* Special categories of cited documents:	
"A" document defining the general state of the art which is not considered to be of particular relevance	"T" later document published after the international filing date or priority date and not in conflict with the application but cited to understand the principle or theory underlying the invention
"E" earlier application or patent published on or after the international filing date	"X" document of particular relevance; the claimed invention cannot be considered novel or cannot be considered to involve an inventive step when the document is taken alone
"L" document which may throw doubts on priority claim(s) or which is cited to establish the publication date of another citation or other special-reason (as specified)	"Y" document of particular relevance; the claimed invention cannot be considered to involve an inventive step when the document is combined with one or more other such documents, such combination being obvious to a person skilled in the art
"O" document referring to an oral disclosure, use, exhibition or other means	"&" document member of the same patent family
"P" document published prior to the international filing date but later than the priority date claimed	

Date of the actual completion of the international search

04 February 2008 (04.02.2008)

Date of mailing of the international search report

**18 MAR 2008**

Name and mailing address of the ISA/US

Mail Stop PCT, Attn: ISA/US  
Commissioner for Patents  
P.O. Box 1450  
Alexandria, Virginia 22313-1450

Facsimile No. (571) 273-3201

Authorized officer

Nhon T. Diep

Telephone No. 703 305-2600