



US00D711555S

(12) **United States Design Patent**  
**Singh**

(10) **Patent No.:** **US D711,555 S**

(45) **Date of Patent:** **\*\* Aug. 19, 2014**

- (54) **TRIM REVEAL EXTRUSION**
- (71) Applicant: **Easytrim Reveals Inc.,** Calgary (CA)
- (72) Inventor: **Joshua George Singh,** Calgary (CA)
- (73) Assignee: **Easytrim Reveals Inc.,** Calgary (CA)
- (\*\*) Term: **14 Years**
- (21) Appl. No.: **29/451,456**
- (22) Filed: **Apr. 2, 2013**
- (51) **LOC (10) Cl.** ..... **25-01**
- (52) **U.S. Cl.**  
USPC ..... **D25/119**
- (58) **Field of Classification Search**  
USPC ..... D25/119; 52/62, 169.5, 281, 282.1,  
52/287.1, 288.1, 716.2, 716.8, 717.01,  
52/371, 254, 255, 459, 461, 465, 471, 472  
See application file for complete search history.

D423,690 S *	4/2000	Grosfillex	.....	D25/119
D425,215 S *	5/2000	Ginzel	.....	D25/119
6,189,273 B1 *	2/2001	Larson	.....	52/255
6,219,980 B1 *	4/2001	Peck, Jr.	.....	52/288.1
6,438,914 B1 *	8/2002	Robertson	.....	52/255
6,470,638 B1 *	10/2002	Larson	.....	52/302.1
D471,794 S *	3/2003	Wall	.....	D8/382
6,691,476 B1 *	2/2004	Kunz	.....	52/287.1
6,698,144 B1 *	3/2004	Larson	.....	52/202
6,729,086 B2 *	5/2004	Razetto	.....	52/287.1
6,735,912 B2 *	5/2004	Riggio	.....	52/235
D525,370 S *	7/2006	Levi-Senigaglia	.....	D25/119
D544,105 S *	6/2007	Flechsig	.....	D25/119
D554,773 S *	11/2007	Antonic	.....	D25/119
2002/0088189 A1 *	7/2002	Honda	.....	52/287.1
2007/0266655 A1 *	11/2007	Howe et al.	.....	52/282.1
2008/0172961 A1 *	7/2008	Wu	.....	52/282.1

\* cited by examiner

*Primary Examiner* — Doris Clark  
(74) *Attorney, Agent, or Firm* — Miller Thomson LLP

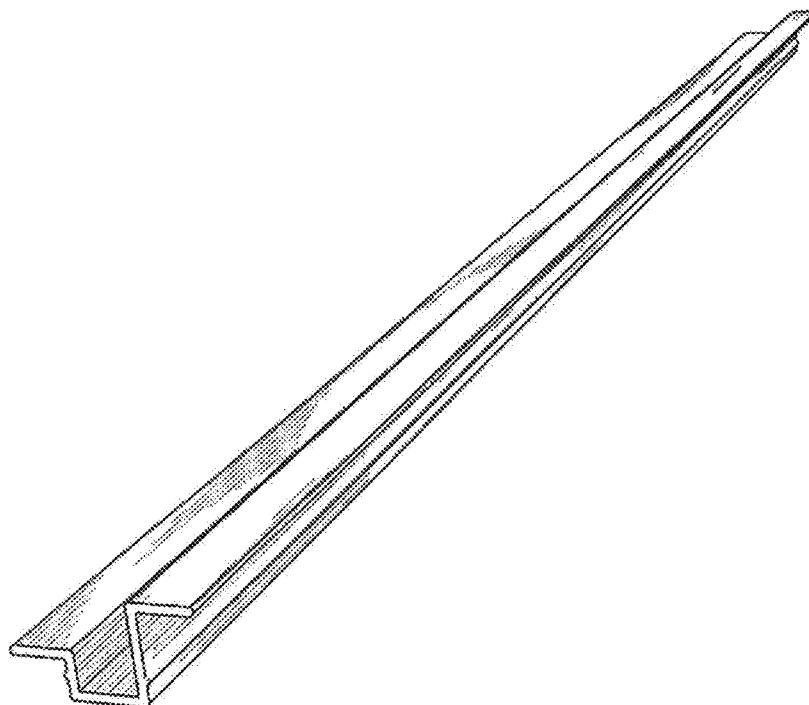
(57) **CLAIM**  
The ornamental design for a trim reveal extrusion, as shown.

**DESCRIPTION**

FIG. 1 illustrates a perspective view of a trim reveal extrusion of indeterminate length comprising a new design; and, FIG. 2 is a detailed end elevational view thereof at a larger scale.

**1 Claim, 1 Drawing Sheet**

- (56) **References Cited**  
U.S. PATENT DOCUMENTS
- 3,465,488 A \* 9/1969 Miller ..... 52/481.1
- 3,483,665 A \* 12/1969 Miller ..... 52/461
- 3,485,001 A \* 12/1969 Miller ..... 52/281
- 4,624,087 A \* 11/1986 Schneller ..... 52/254
- 5,960,598 A \* 10/1999 Tamlyn ..... 52/254
- 6,018,924 A \* 2/2000 Tamlyn ..... 52/716.8



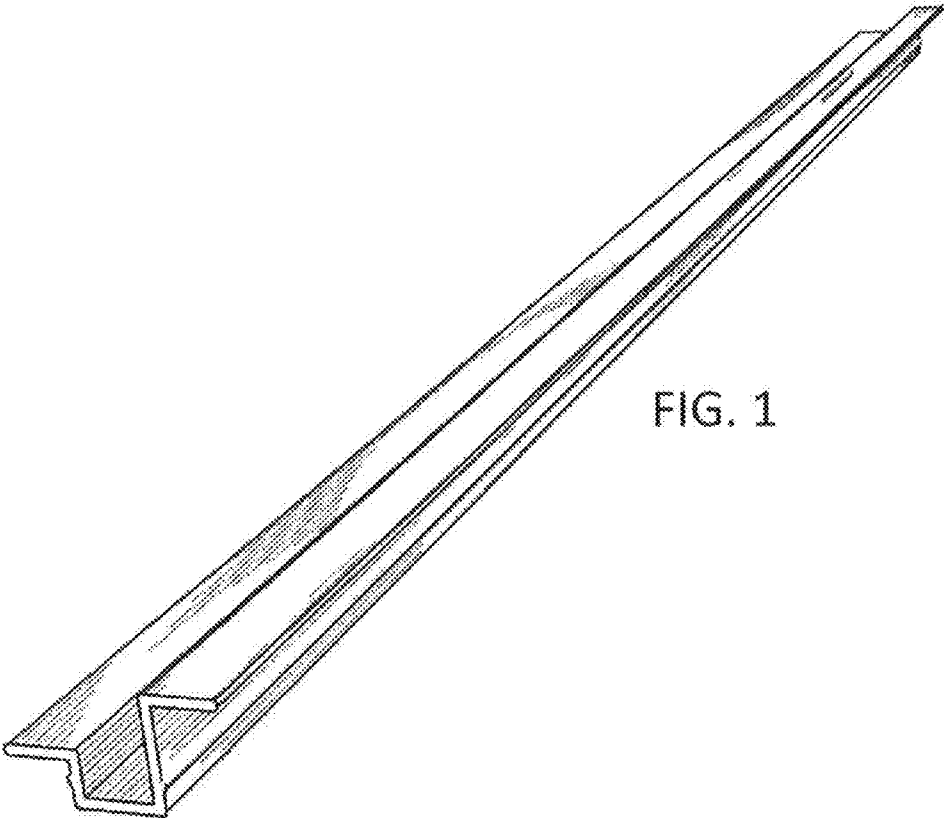


FIG. 1

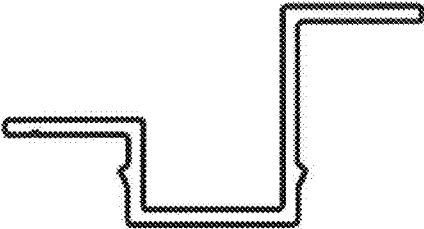


FIG. 2