

(19) World Intellectual Property
Organization
International Bureau



(43) International Publication Date
29 April 2004 (29.04.2004)

PCT

(10) International Publication Number
WO 2004/034868 A3

(51) International Patent Classification⁷: A61B 17/08

(21) International Application Number:
PCT/IL2003/000766

(22) International Filing Date:
25 September 2003 (25.09.2003)

(25) Filing Language: English

(26) Publication Language: English

(30) Priority Data:
152280 14 October 2002 (14.10.2002) IL
154815 9 March 2003 (09.03.2003) IL

(71) Applicant and
(72) Inventor: SHIFRIN, Edward, G. [IL/IL]; 64 Ha'Shahar
St., 43565, Raanana, Israel (IL).

(72) Inventors: UMANSKY, Mark, A.; 20, Mordehy Anile-
vitch St., Apt. 8, 35025 Haifa, Israel (IL). SHVARTS-
MAN, Mark, D.; 3 Harav Mashash St., Apt.1, 32167,

Haifa, Israel (IL). NICKELSHPUR, Gennady, S.; 9-D
Habastiliya St., Apt.9, 35597, Haifa, Israel (IL). MOORE,
Wesley, S.; 11467 W. Sunset Blvd., Los Angeles, CA
90049 (US).

(74) Common Representative: SHIFRIN, Edward, G.; 64
Ha'Shahar St., 43565, Raanana (IL).

(81) Designated States (*national*): AL, AM, AT, AU, AZ, BA,
BG, BR, BY, CA, CH, CN, CO, CU, CZ, DE, DK, EE, ES,
FI, GB, GE, HR, HU, ID, IL, IN, IS, JP, KP, KR, LT, LU,
LV, MA, MD, MG, MX, NO, NZ, PH, PL, PT, RO, RU, SE,
SG, SK, TR, UA, US, UZ, VN, YU, ZA.

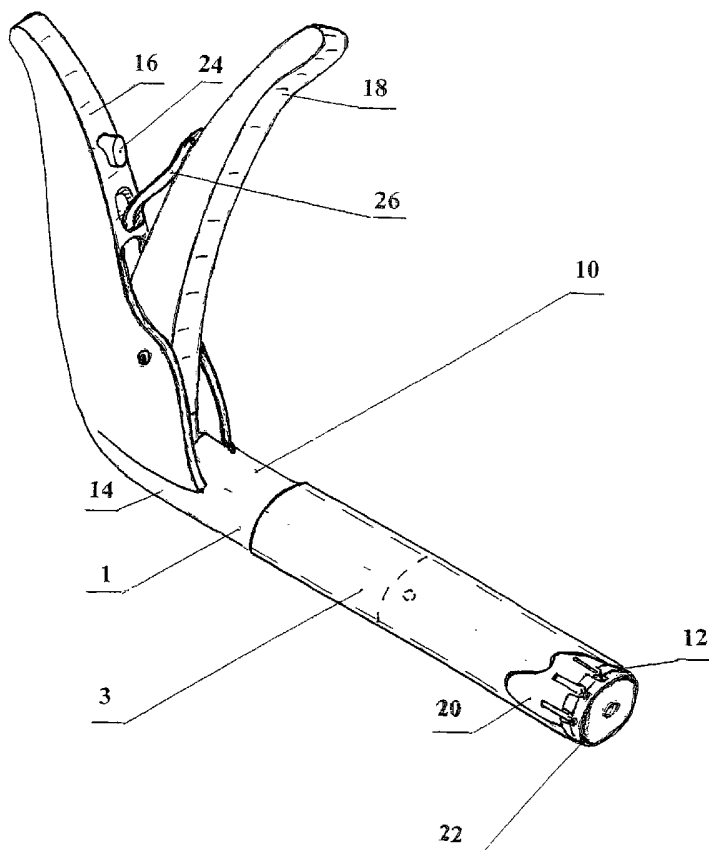
(84) Designated State (*regional*): European patent (SI).

Declarations under Rule 4.17:

— as to the identity of the inventor (Rule 4.17(i)) for the fol-
lowing designations AL, AM, AT, AU, AZ, BA, BG, BR, BY,
CA, CH, CN, CO, CU, CZ, DE, DK, EE, ES, FI, GB, GE,

[Continued on next page]

(54) Title: METHOD AND APPARATUS FOR OPEN AORTIC REPAIR BY INTRAVASCULAR DEVICES



(57) Abstract: The present invention relates to methods and apparatus for locating and securing intravascular devices, substantially grafts and stent-grafts (3), through a duct specially created by surgical means for access to the lumen of a blood vessel. There is a method for securing an intravascular device to the wall of a blood vessel in combination with a new and improved stapler (2). The stapler (2) comprises a hollow body (10), at the proximal end thereof there are mounted to a die (20) and die lid (22), and at the distal end, a holding handle (16) and a control lever (18) pivotally connected with this holding handle (16) and operatively connected, via a movable pressure member (34) with a tip located inside the body (10) and the die (20). The movement of the control lever (18) is converted into radial forces necessary for punching the wall of the intravascular device and surrounding blood vessel wall and fixing a fastener means (42).

WO 2004/034868 A3



- HR, HU, ID, IL, IN, IS, JP, KP, KR, LT, LU, LV, MA, MD, MG, MX, NO, NZ, PH, PL, PT, RO, RU, SE, SG, SK, TR, UA, UZ, VN, YU, ZA, European patent (SI)
- as to applicant's entitlement to apply for and be granted a patent (Rule 4.17(ii)) for the following designations AL, AM, AT, AU, AZ, BA, BG, BR, BY, CA, CH, CN, CO, CU, CZ, DE, DK, EE, ES, FI, GB, GE, HR, HU, ID, IL, IN, IS, JP, KP, KR, LT, LU, LV, MA, MD, MG, MX, NO, NZ, PH, PL, PT, RO, RU, SE, SG, SK, TR, UA, UZ, VN, YU, ZA, European patent (SI)
 - of inventorship (Rule 4.17(iv)) for US only

Published:

- with international search report
- before the expiration of the time limit for amending the claims and to be republished in the event of receipt of amendments

(88) Date of publication of the international search report:

12 August 2004

For two-letter codes and other abbreviations, refer to the "Guidance Notes on Codes and Abbreviations" appearing at the beginning of each regular issue of the PCT Gazette.

INTERNATIONAL SEARCH REPORT

PCT/IL03/00766

Continuation of B. FIELDS SEARCHED Item 3:

EAST BRS

search terms: staple, stent, radial, anastomosis, bushing, pusher, sleeve, tubular, dilator