



- (51) International Patent Classification:
G11C 13/02 (2006.01)
- (21) International Application Number:
PCT/US2012/043249
- (22) International Filing Date:
20 June 2012 (20.06.2012)
- (25) Filing Language: English
- (26) Publication Language: English
- (30) Priority Data:
13/166,214 22 June 2011 (22.06.2011) US
- (71) Applicant (for all designated States except US): **INTEL CORPORATION** [US/US]; 2200 Mission College Boulevard, Santa Clara, California 95052 (US).
- (72) Inventors; and
- (75) Inventors/Applicants (for US only): **KARPOV, Elijah V.** [US/US]; 4386 Lakeshore Dr., Santa Clara, California 95054 (US). **SPADINI, Gianpaolo** [US/US]; 22 Milano Court, Scotts Valley, California 95066 (US).
- (74) Agents: **COOL, Kenneth J.** et al.; Kenneth Cool PC, c/o CPA GLOBAL, P.O. Box 52050, Minneapolis, Minnesota 55402 (US).

- (81) Designated States (unless otherwise indicated, for every kind of national protection available): AE, AG, AL, AM, AO, AT, AU, AZ, BA, BB, BG, BH, BR, BW, BY, BZ, CA, CH, CL, CN, CO, CR, CU, CZ, DE, DK, DM, DO, DZ, EC, EE, EG, ES, FI, GB, GD, GE, GH, GM, GT, HN, HR, HU, ID, IL, IN, IS, JP, KE, KG, KM, KN, KP, KR, KZ, LA, LC, LK, LR, LS, LT, LU, LY, MA, MD, ME, MG, MK, MN, MW, MX, MY, MZ, NA, NG, NI, NO, NZ, OM, PE, PG, PH, PL, PT, QA, RO, RS, RU, RW, SC, SD, SE, SG, SK, SL, SM, ST, SV, SY, TH, TJ, TM, TN, TR, TT, TZ, UA, UG, US, UZ, VC, VN, ZA, ZM, ZW.
- (84) Designated States (unless otherwise indicated, for every kind of regional protection available): ARIPO (BW, GH, GM, KE, LR, LS, MW, MZ, NA, RW, SD, SL, SZ, TZ, UG, ZM, ZW), Eurasian (AM, AZ, BY, KG, KZ, RU, TJ, TM), European (AL, AT, BE, BG, CH, CY, CZ, DE, DK, EE, ES, FI, FR, GB, GR, HR, HU, IE, IS, IT, LT, LU, LV, MC, MK, MT, NL, NO, PL, PT, RO, RS, SE, SI, SK, SM, TR), OAPI (BF, BJ, CF, CG, CI, CM, GA, GN, GQ, GW, ML, MR, NE, SN, TD, TG).

Published:

- with international search report (Art. 21(3))
- before the expiration of the time limit for amending the claims and to be republished in the event of receipt of amendments (Rule 48.2(h))

[Continued on next page]

(54) Title: DRIFT MANAGEMENT IN A PHASE CHANGE MEMORY AND SWITCH (PCMS) MEMORY DEVICE

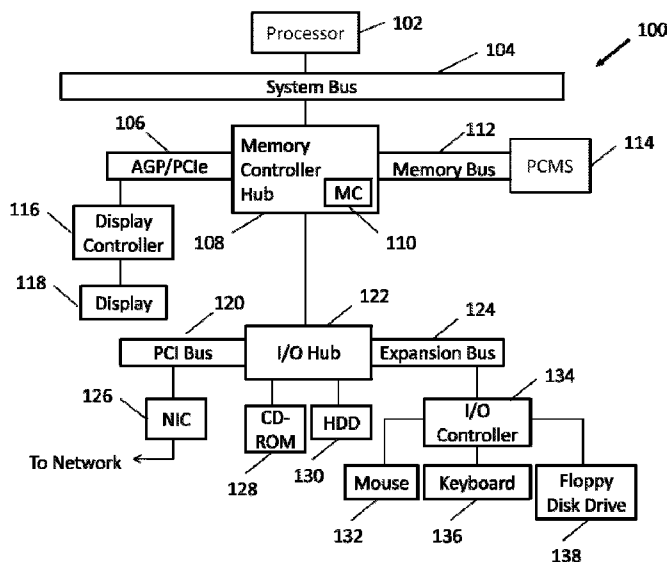


FIG. 1

(57) Abstract: The present disclosure relates to the drift management for a memory device. In at least one embodiment, the memory device of the present disclosure may include a phase change memory and switch (hereinafter "PCMS") memory cell and a memory controller that is capable of implementing drift management to control drift. Other embodiments are described and claimed.

WO 2012/177698 A3

(88) Date of publication of the international search report:
7 March 2013

INTERNATIONAL SEARCH REPORT

International application No.
PCT/US2012/043249**A. CLASSIFICATION OF SUBJECT MATTER***G11C 13/02(2006.01)i*

According to International Patent Classification (IPC) or to both national classification and IPC

B. FIELDS SEARCHED

Minimum documentation searched (classification system followed by classification symbols)

G11C 13/02; G11C 7/10; G11C 11/34; G11C 7/00; G11C 5/14; G11C 11/00

Documentation searched other than minimum documentation to the extent that such documents are included in the fields searched

Korean utility models and applications for utility models

Japanese utility models and applications for utility models

Electronic data base consulted during the international search (name of data base and, where practicable, search terms used)

eKOMPASS(KIPO internal) & Keywords: phase change memory, drift, spontaneous change, time, gap, lapse, write, program

C. DOCUMENTS CONSIDERED TO BE RELEVANT

Category*	Citation of document, with indication, where appropriate, of the relevant passages	Relevant to claim No.
X	US 2010-0259998 A1 (KWON, MIN CHEOL et al.) 14 October 2010 See figures 1,3; paragraphs [36],[39],[41],[54],[55] and [62]	9-11,15-16,18-20
A	See figures 1,3; summary	1-8,12-14,17
A	US 2009-0040816 A1 (KANG, HEE BOK et al.) 12 February 2009 See figures 3, 8; paragraphs [10]-[17],[24] and [25]	1-20
A	KR 10-2008-0081656 A (ELECTRONICS AND TELECOMMUNICATIONS RESEARCH INSTITUTE et al.) See abstract; paragraphs [7] and [11]	1-20
A	US 2007-0297221 A1 (PHILIPP, JAN BORIS et al.) 27 December 2007 See paragraphs [4],[5] and [8]	1-20

 Further documents are listed in the continuation of Box C. See patent family annex.

* Special categories of cited documents:

"A" document defining the general state of the art which is not considered to be of particular relevance

"E" earlier application or patent but published on or after the international filing date

"L" document which may throw doubts on priority claim(s) or which is cited to establish the publication date of citation or other special reason (as specified)

"O" document referring to an oral disclosure, use, exhibition or other means

"P" document published prior to the international filing date but later than the priority date claimed

"T" later document published after the international filing date or priority date and not in conflict with the application but cited to understand the principle or theory underlying the invention

"X" document of particular relevance; the claimed invention cannot be considered novel or cannot be considered to involve an inventive step when the document is taken alone

"Y" document of particular relevance; the claimed invention cannot be considered to involve an inventive step when the document is combined with one or more other such documents, such combination being obvious to a person skilled in the art

"&" document member of the same patent family

Date of the actual completion of the international search

10 JANUARY 2013 (10.01.2013)

Date of mailing of the international search report

14 JANUARY 2013 (14.01.2013)

Name and mailing address of the ISA/KR

Korean Intellectual Property Office
189 Cheongsa-ro, Seo-gu, Daejeon Metropolitan
City, 302-701, Republic of Korea

Facsimile No. 82-42-472-7140

Authorized officer

YOON, Hye Sook

Telephone No. 82-42-481-8370



INTERNATIONAL SEARCH REPORT

Information on patent family members

International application No.

PCT/US2012/043249

Patent document cited in search report	Publication date	Patent family member(s)	Publication date
US 2010-0259998 A1	14.10.2010	KR 10-2010-0112256 A US 8111559 B2	19.10.2010 07.02.2012
US 2009-0040816 A1	12.02.2009	KR 10-0909770 B1 KR 10-2009-0016187 A US 7791935 B2	29.07.2009 13.02.2009 07.09.2010
KR 10-2008-0081656 A	10.09.2008	None	
US 2007-0297221 A1	27.12.2007	CN 101093723 A CN 101093723 B CN 101093723 C0 EP 1870903 A2 EP 1870903 A3 JP 2008-059736 A JP 2011-060418 A KR 10-2007-0120455 A US 7457146 B2	26.12.2007 04.01.2012 26.12.2007 26.12.2007 19.11.2008 13.03.2008 24.03.2011 24.12.2007 25.11.2008