



US00D714616S

(12) **United States Design Patent**  
**Walker et al.**

(10) **Patent No.:** **US D714,616 S**

(45) **Date of Patent:** **\*\* Oct. 7, 2014**

- (54) **FASCIA MOUNT BRACKET**
- (71) Applicant: **Peak Innovations Inc.**, Richmond (CA)
- (72) Inventors: **Simon Walker**, Delta (CA); **Hou Jun (Frank) Fan**, Surrey (CA)

D590,697	S	*	4/2009	Townley	.....	D8/354
D612,224	S	*	3/2010	Wendt	.....	D8/354
D688,547	S	*	8/2013	Waugh et al.	.....	D8/349
8,720,839	B2	*	5/2014	Lijesnic	.....	248/300
2004/0041141	A1	*	3/2004	Cannon	.....	256/65.05
2014/0054428	A1	*	2/2014	Walker et al.	.....	248/218.4
2014/0082921	A1	*	3/2014	Adams, Jr.	.....	29/525.02

- (73) Assignee: **Peak Innovations Inc.**, Richmond (CA)
- (\*\*) Term: **14 Years**
- (21) Appl. No.: **29/433,252**

**OTHER PUBLICATIONS**

ALCO, ProBuilt (Do-It-Yourself Aluminum Railings) 2011, Catalogue & Price List, pp. 1 to 8.  
 ALCO, ProBuilt (Do-It-Yourself Fencing) 2011, Product Fencing, pp. 1 to 3.  
 BW Creative Wood Industries Ltd., ProBuilt (Do-It-Yourself Aluminum Railings) 2012, Canadian Market Catalogue, pp. 1 to 5.

- (22) Filed: **Sep. 27, 2012**
- (51) **LOC (10) Cl.** ..... **08-08**
- (52) **U.S. Cl.**  
USPC ..... **D8/349**
- (58) **Field of Classification Search**  
USPC ..... D8/349, 354, 380, 382, 366; 248/300, 248/237, 309.1; 52/188, 182, 191, 702, 52/712, 745.06, 189, 506.5, 586.1; 29/428, 525.01, 464; 249/14, 205, 208; 403/167, 169

\* cited by examiner

*Primary Examiner* — Mark Goodwin  
 (74) *Attorney, Agent, or Firm* — Smiths IP

See application file for complete search history.

- (57) **CLAIM**  
The ornamental design for a fascia mount bracket, as shown and described.

(56) **References Cited**

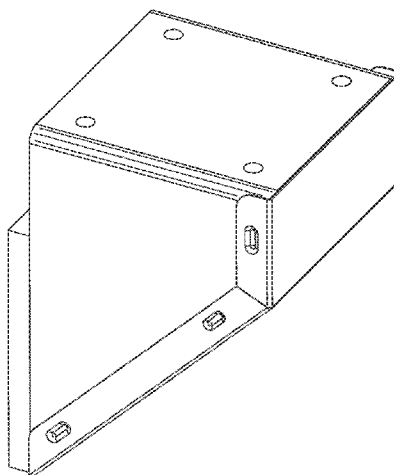
**DESCRIPTION**

U.S. PATENT DOCUMENTS

922,215	A	*	5/1909	Tuteur	.....	403/190
2,477,163	A	*	7/1949	Barnett	.....	403/205
D226,421	S	*	3/1973	Rich	.....	D8/380
D250,391	S	*	11/1978	France	.....	D8/380
D267,308	S	*	12/1982	France	.....	D8/380
D288,281	S	*	2/1987	Spicer	.....	D8/373
D326,604	S	*	6/1992	Stubbersfield et al.	.....	D8/373
5,170,977	A	*	12/1992	McMillan	.....	248/300
D378,986	S	*	4/1997	Darula	.....	D8/354
D484,029	S	*	12/2003	Bainbridge	.....	D8/380
D489,601	S	*	5/2004	Meeker	.....	D8/380
D531,490	S	*	11/2006	Walker	.....	D8/380
D551,537	S	*	9/2007	Richardson	.....	D8/354
D555,468	S	*	11/2007	Caswell et al.	.....	D8/380
D579,321	S	*	10/2008	Townley	.....	D8/354

FIG. 1 is a perspective view of the fascia mount bracket in accordance with the design;  
 FIG. 2 is a front view of the fascia mount bracket shown in FIG. 1;  
 FIG. 3 is a rear view of the fascia mount bracket shown in FIG. 1;  
 FIG. 4 is a left side view of the fascia mount bracket shown in FIG. 1;  
 FIG. 5 is a right side view of the fascia mount bracket shown in FIG. 1;  
 FIG. 6 is a top view of the fascia mount bracket shown in FIG. 1; and,  
 FIG. 7 is a bottom view of the fascia mount bracket shown in FIG. 1.

**1 Claim, 5 Drawing Sheets**



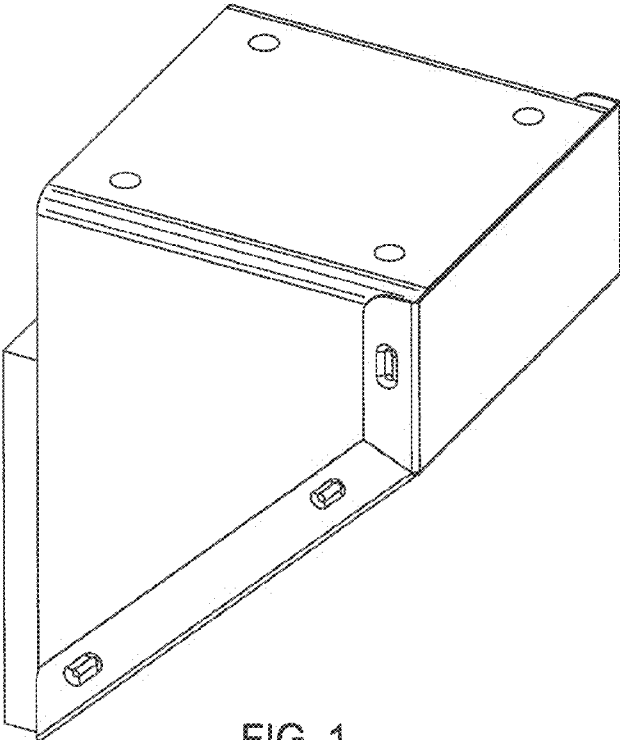


FIG. 1

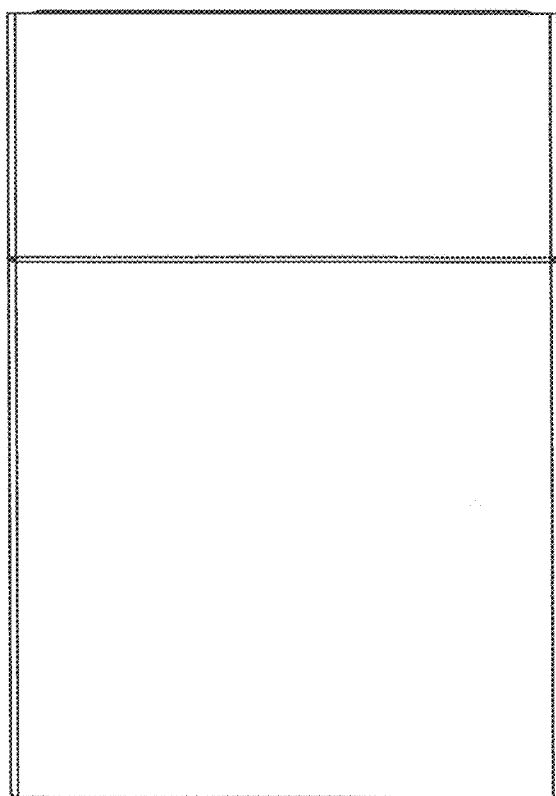


FIG. 2

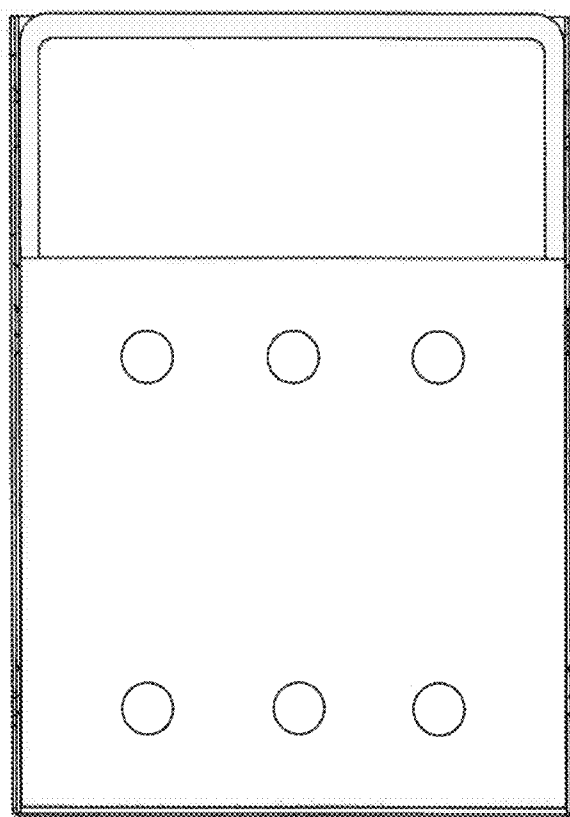


FIG. 3

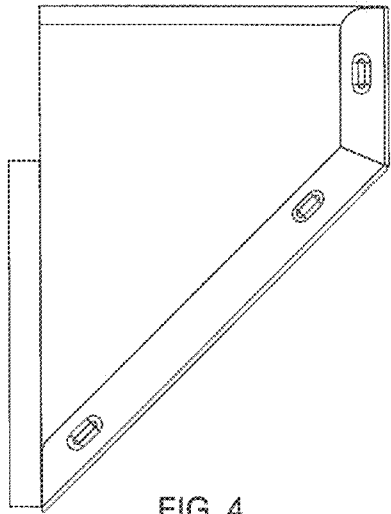


FIG. 4

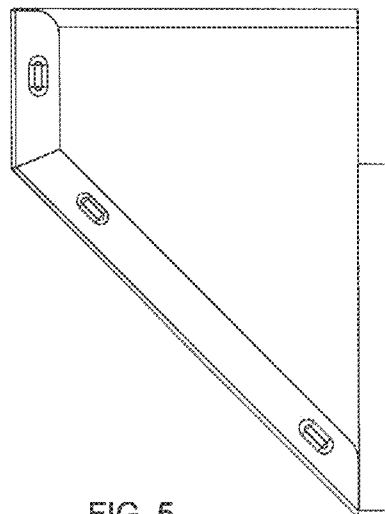


FIG. 5

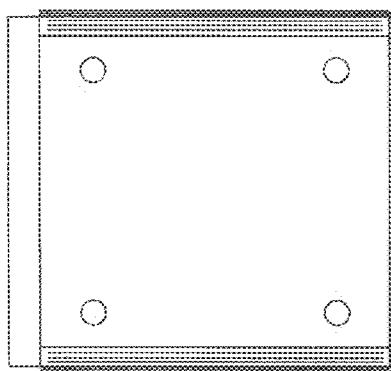


FIG. 6

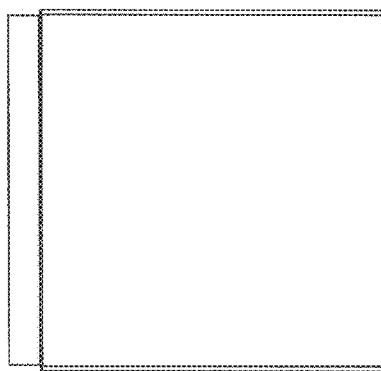


FIG. 7