



US00D788587S

(12) **United States Design Patent**
Clemence et al.

(10) **Patent No.:** **US D788,587 S**

(45) **Date of Patent:** **** Jun. 6, 2017**

- (54) **CONTAINER SPOUT**
- (71) Applicants: **Josh Clemence**, Covington, IN (US);
Noah Durham, Champaign, IL (US)
- (72) Inventors: **Josh Clemence**, Covington, IN (US);
Noah Durham, Champaign, IL (US)
- (73) Assignee: **Envirox, L.L.C.**, Danville, IL (US)
- (**) Term: **14 Years**

- D335,454 S 5/1993 McLean et al.
- D350,484 S 9/1994 Addis et al.
- D363,667 S 10/1995 Baratta-Dragono et al.
- D366,421 S 1/1996 Best
- 5,554,133 A * 9/1996 Haffner A61M 5/3135
604/187
- D385,956 S * 11/1997 Doughty D23/259
- 5,765,888 A * 6/1998 Stack A45F 3/14
215/396
- D396,006 S * 7/1998 Harris D9/447

- (21) Appl. No.: **29/519,487**
- (22) Filed: **Mar. 5, 2015**
- (51) **LOC (10) Cl.** **09-01**
- (52) **U.S. Cl.**
USPC **D9/516**
- (58) **Field of Classification Search**
USPC D9/516, 527, 528, 530, 531, 536, 543,
D9/563, 572-574; 215/14, 214, 217, 223,
215/379, 382-385, 396, 398; 220/200,
220/890; 222/210, 212, 215
CPC B65D 1/0223; B65D 1/0284; B65D 23/10;
B65D 2501/0081; B65D 2203/02
See application file for complete search history.

OTHER PUBLICATIONS

"A-349", Toilets Perfumes, Glass Containers, Owens-Illinois Glass Co., OH, rec'd 1931, p. 39.*

(Continued)

Primary Examiner — Ian Simmons
Assistant Examiner — Janice Lim
(74) *Attorney, Agent, or Firm* — King & Partners, PLC

(57) **CLAIM**

The ornamental design for a container spout, as shown and described.

DESCRIPTION

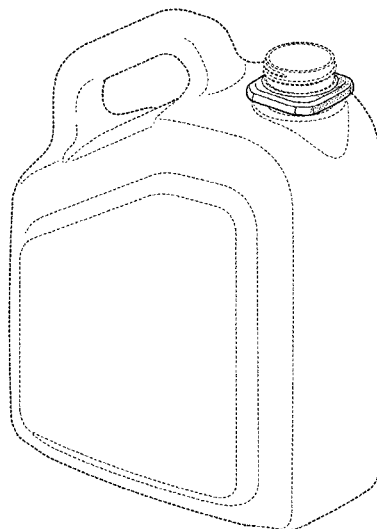
FIG. 1 is a front perspective view of a container spout, showing our new design.
FIG. 2 is a left side view of the container spout of FIG. 1, and the right side view being a mirror image.
FIG. 3 is a front view of the container spout of FIG. 1.
FIG. 4 is a rear view of the container spout of FIG. 1.
FIG. 5 is a top plan view of the container spout of FIG. 1; and,
FIG. 6 is a bottom plan view of the container spout of FIG. 1.
The broken line portions of FIGS. 1-6 are included to show unclaimed subject matter only and form no part of the claimed design.

(56) **References Cited**

U.S. PATENT DOCUMENTS

- D94,824 S * 3/1935 Fuerst D9/562
- D95,260 S * 4/1935 Key D9/562
- D244,991 S 7/1977 Weckman et al.
- D259,405 S 6/1981 Drummond
- D259,541 S 6/1981 Halbeisen et al.
- D302,794 S * 8/1989 Turner D9/447
- D309,420 S 7/1990 Beaver
- D311,136 S 10/1990 Barker et al.
- D313,350 S 1/1991 Beaver
- 4,984,697 A * 1/1991 Kelly A61J 9/06
215/11.1
- D329,816 S 9/1992 Beaver et al.
- D331,195 S 11/1992 Weckman

1 Claim, 5 Drawing Sheets



(56)

References Cited

U.S. PATENT DOCUMENTS

D402,553 S 12/1998 Webster et al.
 5,850,935 A * 12/1998 Luburic B65D 1/40
 206/508
 5,897,532 A * 4/1999 Spallek A61M 5/3135
 604/187
 D409,495 S 5/1999 Hartman et al.
 D420,918 S 2/2000 Heftner et al.
 D430,798 S 9/2000 Stevens et al.
 D443,519 S * 6/2001 Warner D9/538
 D472,151 S 3/2003 Warren et al.
 D488,721 S * 4/2004 Peronek D9/516
 D518,731 S 4/2006 Yourist et al.
 D548,595 S 8/2007 Marasligiller et al.
 D550,099 S * 9/2007 Isono D9/686
 D553,501 S 10/2007 Arnett et al.
 D556,583 S 12/2007 Gurst et al.
 D571,217 S 6/2008 Bates et al.
 D573,884 S 7/2008 Crabtree et al.
 D579,778 S 11/2008 De Gopegui et al.
 D584,155 S 1/2009 Lorio
 D595,137 S 6/2009 Bates et al.
 D602,370 S * 10/2009 Bourne D9/552
 D627,231 S 11/2010 Lee et al.
 D637,916 S 5/2011 McNabb et al.
 7,959,045 B2 * 6/2011 Kuge B31B 19/84
 137/541
 D643,297 S 8/2011 Lee et al.
 8,074,817 B1 * 12/2011 Steele, IV B65D 23/102
 206/828
 D651,905 S * 1/2012 Bartolomei D9/538
 D651,907 S 1/2012 Dennis et al.
 D657,665 S * 4/2012 Rivera D9/434

D661,193 S 6/2012 Merchant et al.
 D683,628 S 6/2013 Claassen
 D684,061 S 6/2013 Leslie et al.
 D685,642 S 7/2013 Leslie et al.
 D686,080 S 7/2013 Tomkins et al.
 D691,477 S 10/2013 Tomkins et al.
 D696,128 S 12/2013 Lindsay et al.
 D705,069 S 5/2014 Crisanti et al.
 D714,647 S 10/2014 Kersten
 D716,146 S 10/2014 Palmatier et al.
 D721,587 S 1/2015 Bos et al.
 D723,927 S 3/2015 Fish et al.
 D724,435 S 3/2015 Kaufman et al.
 D730,190 S 5/2015 Lindsay et al.
 D733,567 S 7/2015 Lindsay et al.
 D736,637 S 8/2015 Castillo Higareda et al.
 D739,247 S 9/2015 McDonnell
 D739,749 S 9/2015 Bhattacharyya et al.
 D741,183 S 10/2015 Cannamela et al.
 D741,715 S 10/2015 Casscles et al.
 D743,806 S 11/2015 Lang et al.
 2012/0024962 A1 * 2/2012 Koltun B65D 23/14
 235/492

OTHER PUBLICATIONS

“Athena”, Spirit Collection, Saverglass, printed May 2014, p. 17, retrieved from <<http://www.saverglass.com/en/downloads>>.*
 “OIG-607”, Standard Liquor Finishes, Duraglas Containers—For Distilled Spirits, Wines & Cordials, Owens-Illinois Glass Co., OH, rec’d 1948, p. 51.*
 Three Photographs of Container Provided by Applicant in use in the United States on or before Mar. 1, 2014 (Exhibit A).

* cited by examiner

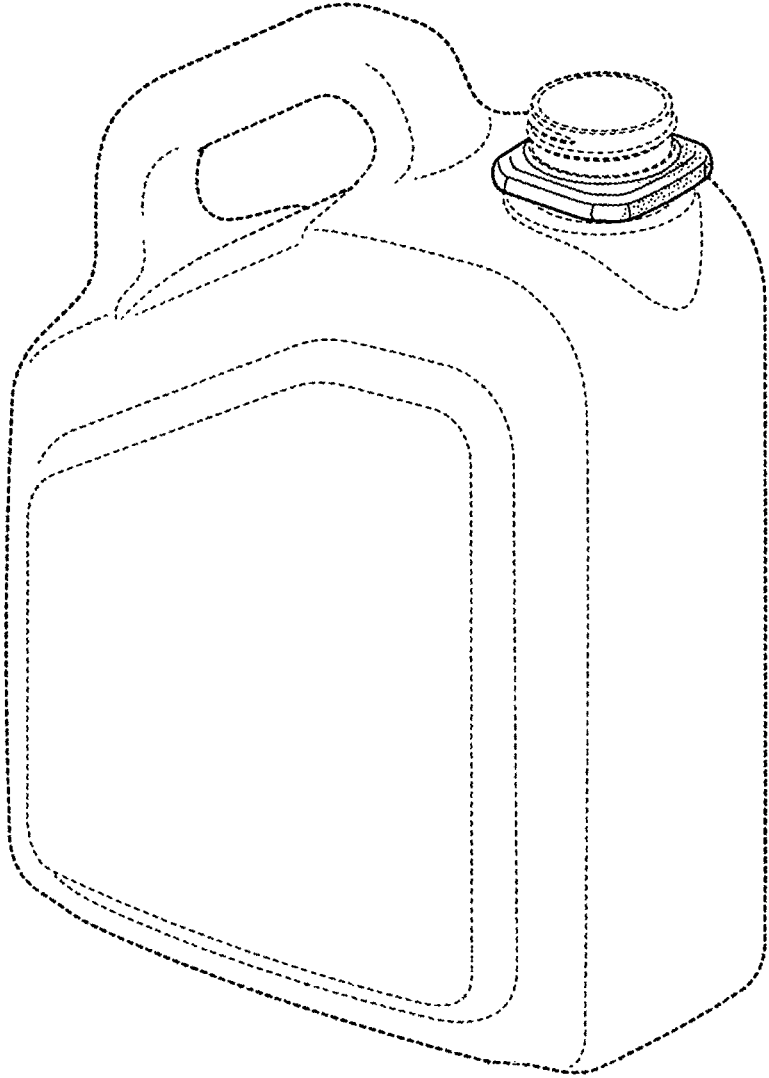


Figure 1

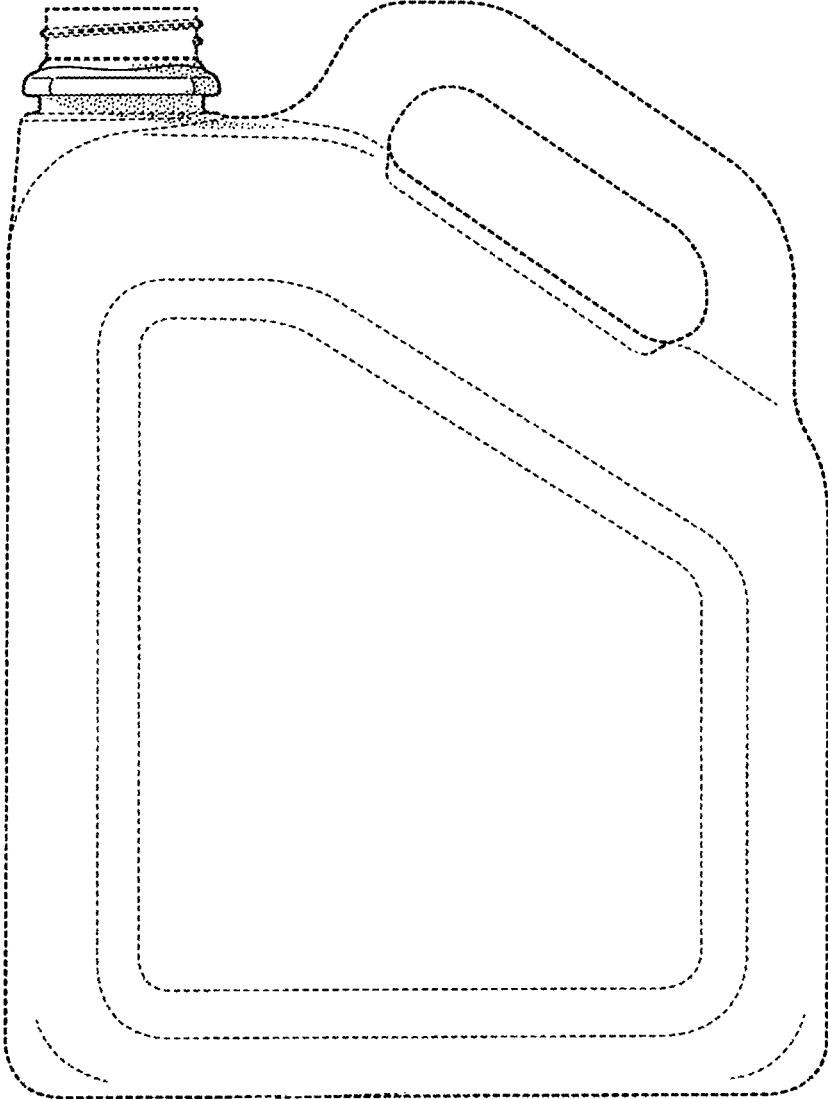


Figure 2

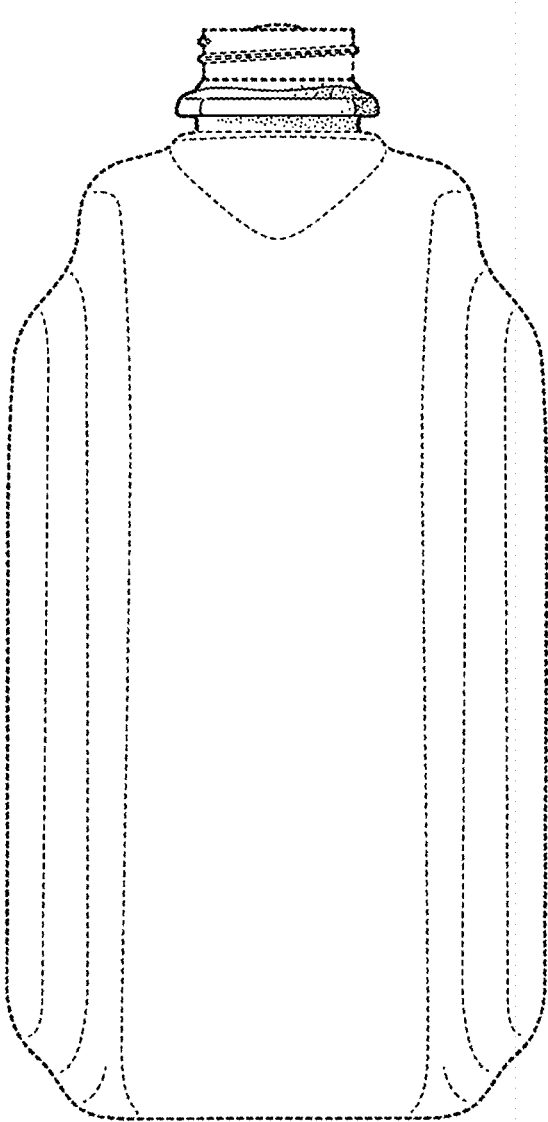


Figure 3

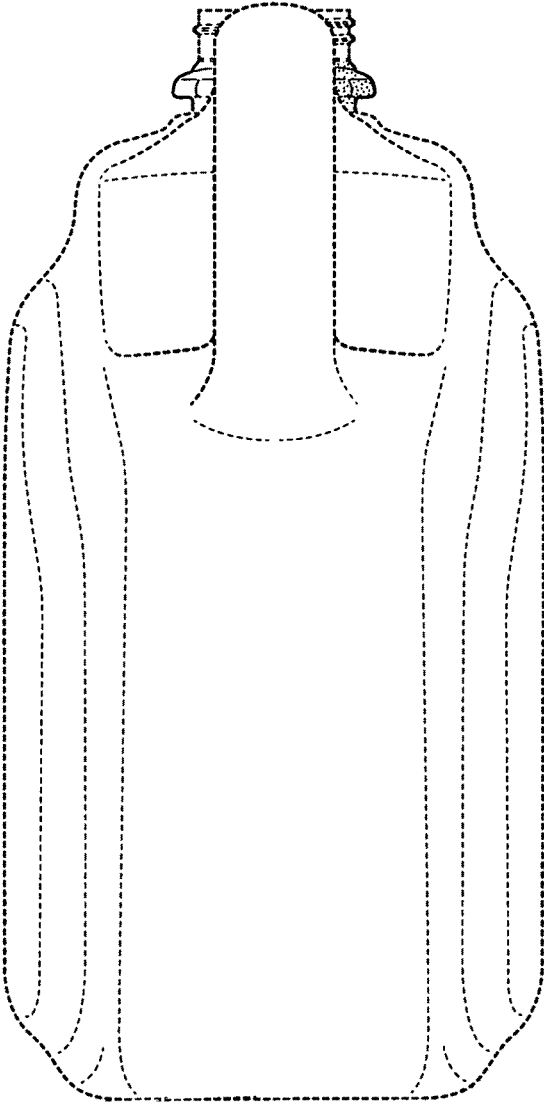


Figure 4

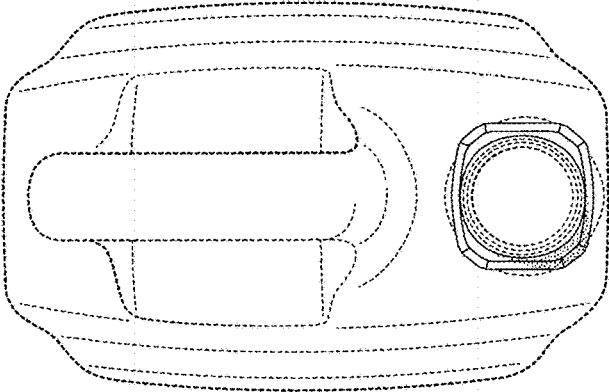


Figure 5

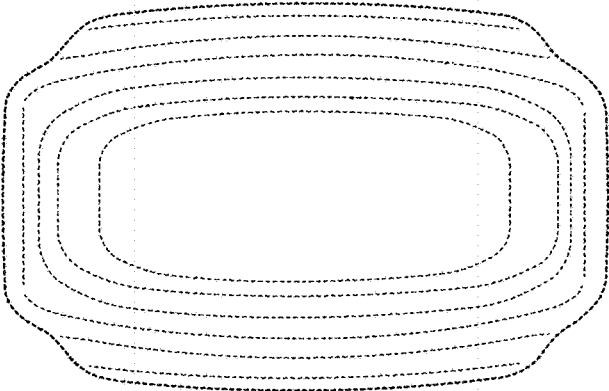


Figure 6