



US00D698288S

(12) **United States Design Patent**
Riggs et al.

(10) **Patent No.:** **US D698,288 S**

(45) **Date of Patent:** **** Jan. 28, 2014**

- (54) **GRILLE OF A TRUCK VEHICLE**
- (75) Inventors: **Robert B. Riggs**, St. Charles, IL (US);
Christian Michael Hardin, Waterford,
MI (US); **Robert Paul Scott**, Aurora, IL
(US)
- (73) Assignee: **International Truck Intellectual
Property Company, LLC**, Lisle, IL
(US)

D455,381 S	4/2002	Maher	
D522,936 S	6/2006	Beigel	
D545,730 S	7/2007	Lee	
D592,561 S	5/2009	Otto	
D612,776 S	3/2010	Beigel	
D619,054 S *	7/2010	Beigel et al.	D12/163
D627,692 S *	11/2010	Cheng	D12/163
D634,244 S *	3/2011	Aris et al.	D12/96
D637,530 S	5/2011	Aris	
D645,797 S	9/2011	Beigel	

* cited by examiner

(**) Term: **14 Years**

Primary Examiner — Melody Brown

(21) Appl. No.: **29/430,373**

(74) *Attorney, Agent, or Firm* — Jeffrey P. Calfa; Mark C. Bach; Gerald W. Askew

(22) Filed: **Aug. 24, 2012**

(51) **LOC (10) Cl.** **12-16**

(52) **U.S. Cl.**
USPC **D12/163**

(58) **Field of Classification Search**
USPC D12/163, 196, 171, 169, 216, 90-92,
D12/86; 180/68.1, 68.6; 296/193.11
See application file for complete search history.

(57) **CLAIM**

The ornamental design for a grille of a truck vehicle, as shown and described.

DESCRIPTION

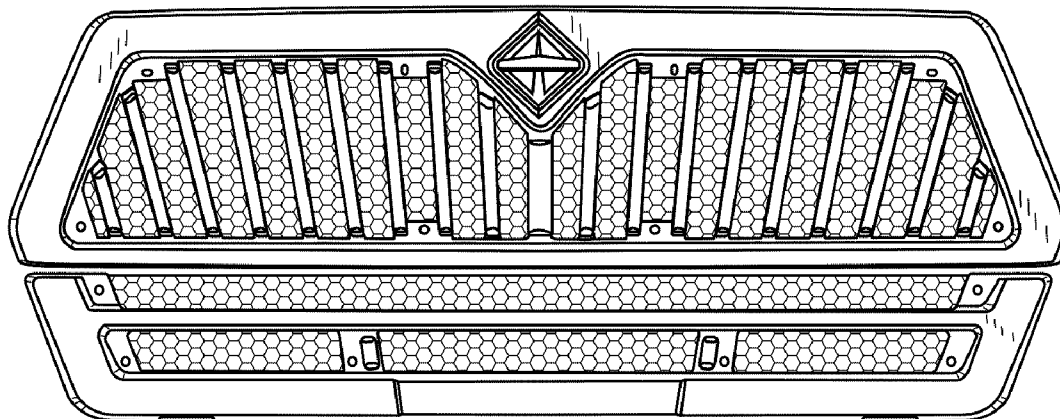
FIG. 1 is a FRONT AND LEFT SIDE PERSPECTIVE view of a grille of a truck vehicle showing our new design; FIG. 2 is a FRONT ELEVATION view thereof; FIG. 3 is a REAR ELEVATION view thereof; FIG. 4 is a LEFT ELEVATION view thereof; FIG. 5 is a RIGHT ELEVATION view thereof; FIG. 6 is a BOTTOM PLAN view thereof; and, FIG. 7 is a TOP PLAN view thereof.

(56) **References Cited**

U.S. PATENT DOCUMENTS

D400,836 S	11/1998	Reynard
D403,285 S	12/1998	Abalos
D447,099 S	8/2001	Tirey
D452,464 S	12/2001	Beigel

1 Claim, 2 Drawing Sheets



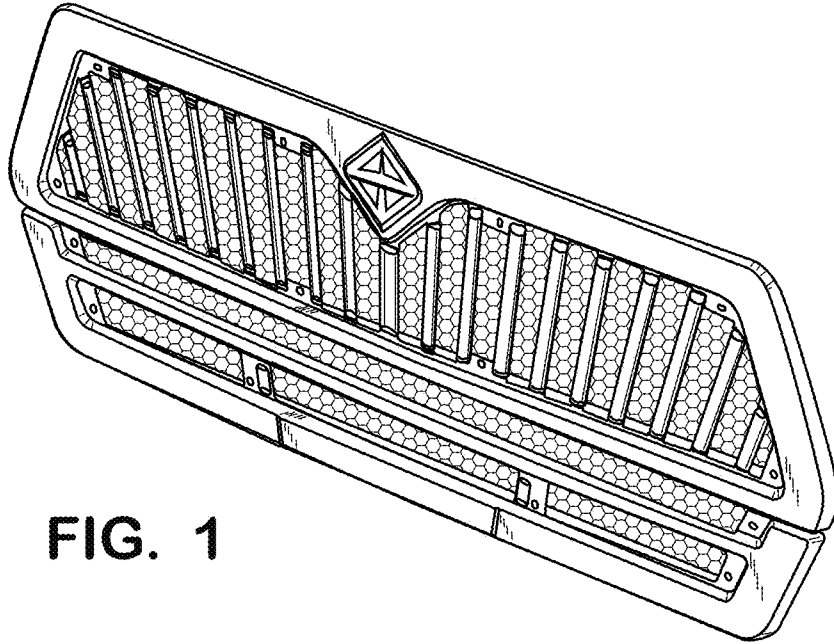


FIG. 1

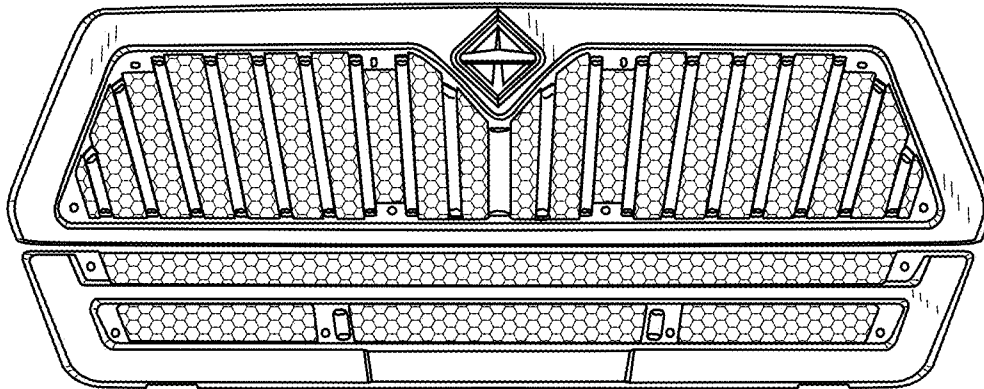


FIG. 2

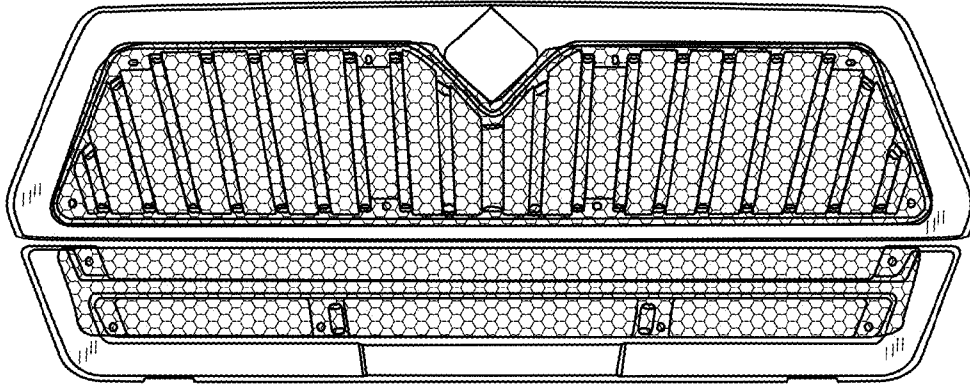


FIG. 3



FIG. 4

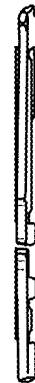


FIG. 5



FIG. 6



FIG. 7