



US00D802500S

(12) **United States Design Patent**
Han

(10) **Patent No.:** **US D802,500 S**

(45) **Date of Patent:** **** Nov. 14, 2017**

- (54) **REAR BUMPER OF CAR**
- (71) Applicant: **GM GLOBAL TECHNOLOGY OPERATIONS LLC**, Detroit, MI (US)
- (72) Inventor: **Hongchul Han**, Incheon (KR)
- (73) Assignee: **GM GLOBAL TECHNOLOGY OPERATIONS LLC**, Detroit, MI (US)
- (**) Term: **15 Years**
- (21) Appl. No.: **29/578,075**
- (22) Filed: **Sep. 19, 2016**

D738,267	S	*	9/2015	Chen	D12/169
D738,270	S	*	9/2015	Blanski	D12/169
D740,727	S	*	10/2015	Nakamura	D12/169
D740,728	S	*	10/2015	Gunnarson	D12/169
D746,188	S	*	12/2015	Nakagawa	D12/169
D749,467	S	*	2/2016	Stopka	D12/169
D749,471	S	*	2/2016	Nakahara	D12/169
D754,040	S	*	4/2016	Varga	D12/169
D760,629	S	*	7/2016	Chung	D12/169
D764,984	S	*	8/2016	Stopka	D12/169
D766,144	S	*	9/2016	Lesnik	D12/169
D769,161	S	*	10/2016	Ishii	D12/169
D773,355	S	*	12/2016	Kawaguchi	D12/169
D776,581	S	*	1/2017	Pevovar	D12/169
D778,212	S	*	2/2017	Kozub	D12/169
D786,746	S	*	5/2017	Wheel	D12/169
D788,657	S	*	6/2017	Oohashi	D12/169
D789,259	S	*	6/2017	Seo	D12/169

- (30) **Foreign Application Priority Data**
- Mar. 18, 2016 (KR) 30-2016-0012836
- (51) **LOC (10) CL.** **12-16**
- (52) **U.S. CL.**
- USPC **D12/169**
- (58) **Field of Classification Search**
- USPC D12/169, 216, 90-92, 86, 171, 196, 163;
293/102, 113, 115, 117, 120; 296/180.1,
296/180.2
- CPC B60R 19/02; B60R 19/04; B62D 25/08
- See application file for complete search history.

* cited by examiner

Primary Examiner — Melody N Brown

(74) *Attorney, Agent, or Firm* — Browdy and Neimark, PLLC

(57) **CLAIM**

The ornamental design for a rear bumper of car, as shown and described.

DESCRIPTION

FIG. 1 is a perspective view of a rear bumper of car showing my new design;

FIG. 2 is a front elevation view thereof;

FIG. 3 is a rear elevation view thereof;

FIG. 4 is a side elevational view thereof;

FIG. 5 is an opposite elevational view thereof;

FIG. 6 is a top plan view thereof;

FIG. 7 is a bottom plan view thereof; and,

FIG. 8 is another perspective view thereof.

1 Claim, 8 Drawing Sheets

- (56) **References Cited**
- U.S. PATENT DOCUMENTS
- D610,957 S * 3/2010 Bucher D12/169
- D711,295 S * 8/2014 Mackay D12/169
- D711,795 S * 8/2014 Kim D12/169
- D721,993 S * 2/2015 Nordmann D12/169
- D722,926 S * 2/2015 Kato D12/169
- D733,018 S * 6/2015 McCabe D12/169
- D733,622 S * 7/2015 Rupar D12/169
- D736,127 S * 8/2015 Hammoud D12/169

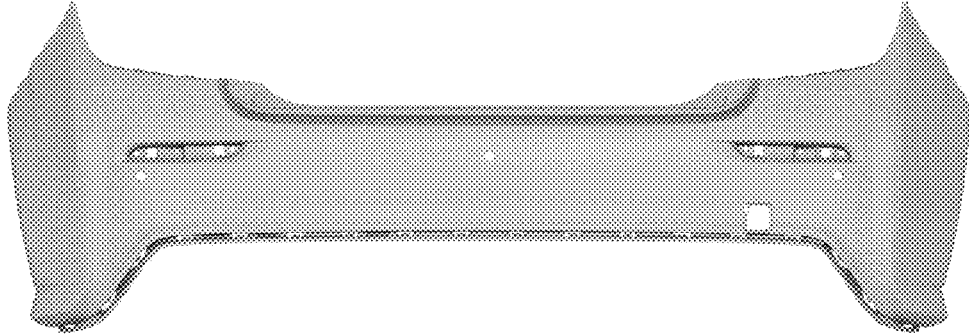


FIG. 1

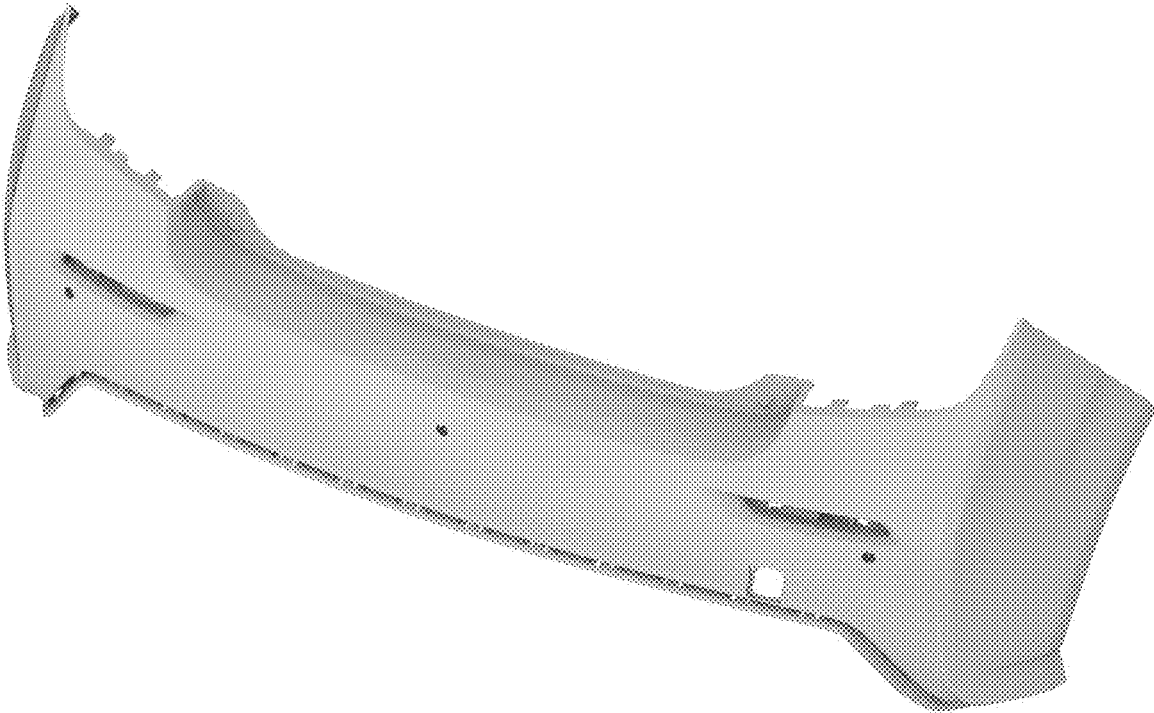


FIG. 2

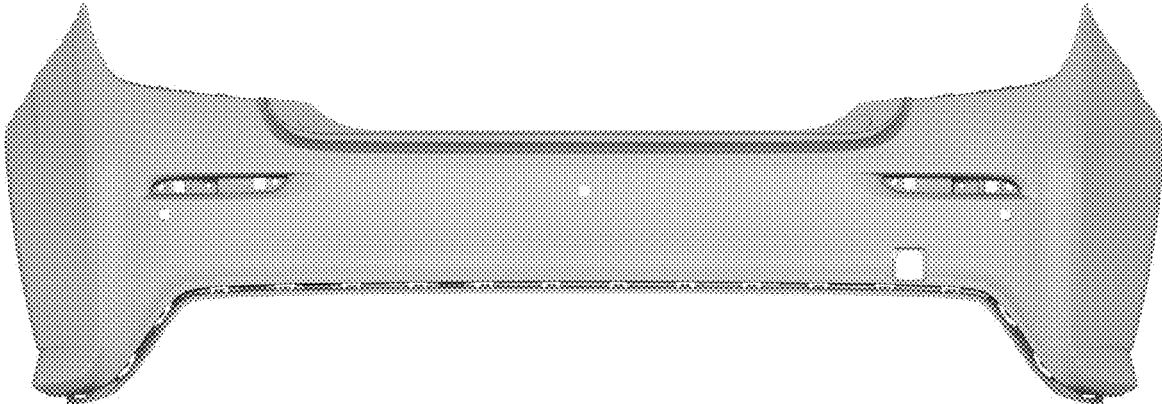


FIG. 3

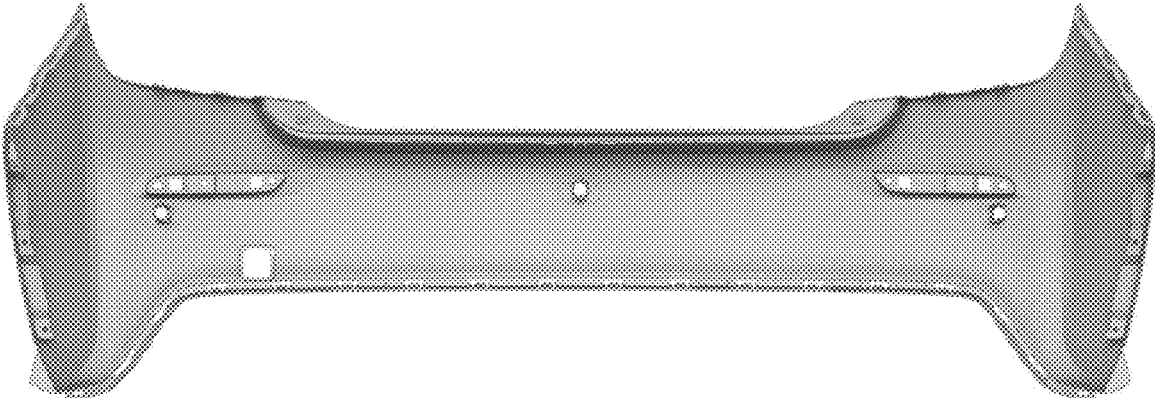


FIG. 4

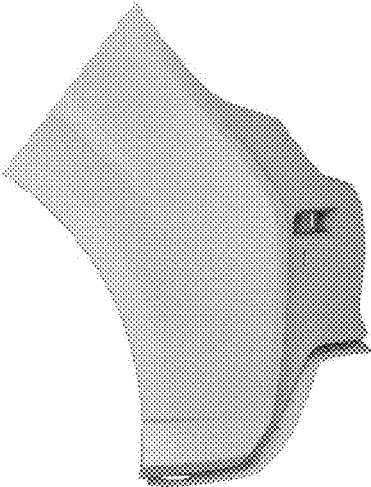


FIG. 5

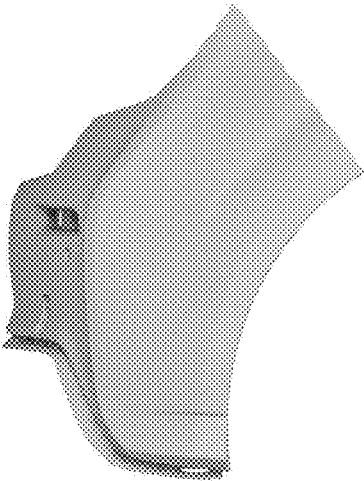


FIG. 6

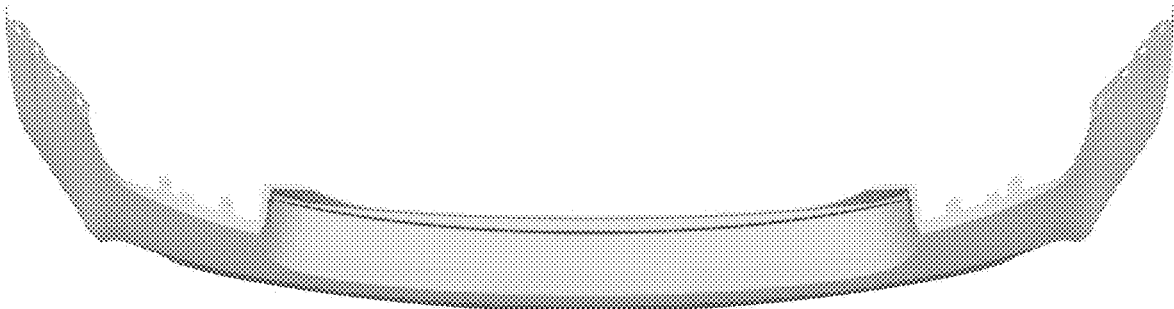


FIG. 7

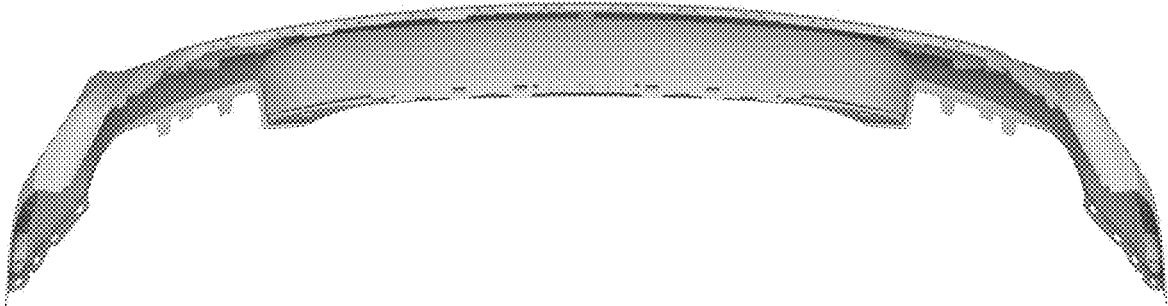


FIG. 8

