



US00D734648S

(12) **United States Design Patent**
Miller

(10) **Patent No.:** **US D734,648 S**

(45) **Date of Patent:** **** Jul. 21, 2015**

(54) **ADJUSTABLE GRIP FOR A WEB CABLE TIE DOWN**

(71) Applicant: **Robert W. Miller**, Huntington Beach, CA (US)

(72) Inventor: **Robert W. Miller**, Huntington Beach, CA (US)

(**) Term: **14 Years**

(21) Appl. No.: **29/466,358**

(22) Filed: **Sep. 6, 2013**

(51) **LOC (10) Cl.** **08-05**

(52) **U.S. Cl.**
USPC **D8/44**

(58) **Field of Classification Search**

USPC D6/515; D12/96, 106, 400, 223, 217
CPC B66D 3/006; B66D 3/18; B66D 3/26;
B66D 3/02; B66D 3/14; B63B 21/18; B63B
21/26; B65B 57/005; A61G 7/1051; A61G
7/1061; B65H 16/02; B65H 2301/4131;
B65H 75/4471; B66B 11/08

See application file for complete search history.

(56) **References Cited**

U.S. PATENT DOCUMENTS

2,551,190 A * 5/1951 Walker 242/594.5
D197,882 S * 4/1964 Steinwedel D8/14
D198,282 S * 5/1964 Zaleski D8/14
D227,650 S * 7/1973 Sneddon D8/14
D272,980 S * 3/1984 Kapphahn D8/14
D293,204 S * 12/1987 Trubiano D8/380

D311,312 S * 10/1990 Morton D8/14
D324,645 S * 3/1992 Magro et al. D8/380
D342,427 S * 12/1993 Stovall D8/14
D392,553 S * 3/1998 Dill D8/380
D394,999 S * 6/1998 Phillip D8/380
D416,772 S * 11/1999 Milbury D8/14
D493,078 S * 7/2004 McGee et al. D8/14
D494,028 S * 8/2004 Stout D8/14
D567,042 S * 4/2008 Wilkes D8/44
D670,156 S * 11/2012 Crooks et al. D8/358

* cited by examiner

Primary Examiner — Robert M Spear

Assistant Examiner — Eliza Bennett-Hattan

(57) **CLAIM**

The ornamental design for an adjustable grip for a web cable tie down, as shown and described.

DESCRIPTION

FIG. 1 is a perspective view of the adjustable grip for a web cable tie down with the rectangular peg removed for clarity of disclosure.

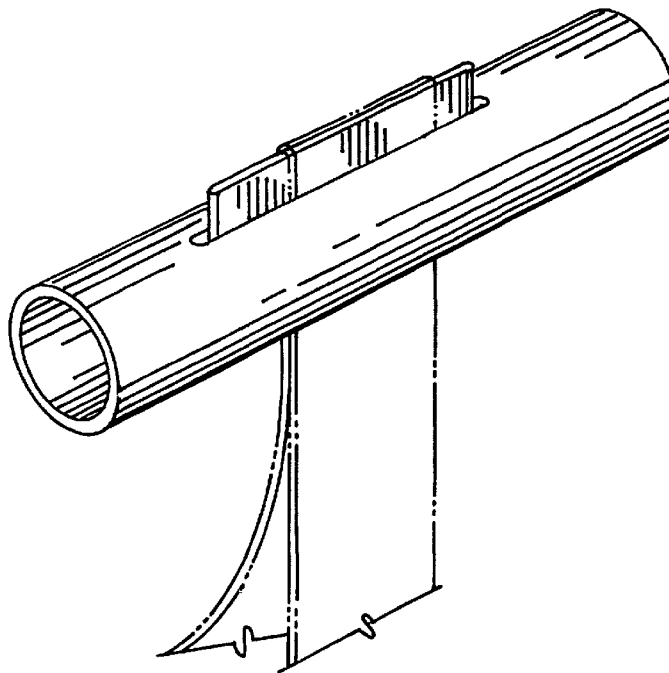
FIG. 2 is cross-section perspective view of the handle portion of the adjustable grip for a web cable tie down;

FIG. 3 is another perspective view of the adjustable grip for a web cable tie down with the rectangular peg removed for clarity of disclosure; and,

FIG. 4 is a perspective view of the adjustable grip for a web cable tie down in a position of use.

The broken lines in the drawing depict environmental subject matter only and form no part of the claimed design.

1 Claim, 2 Drawing Sheets



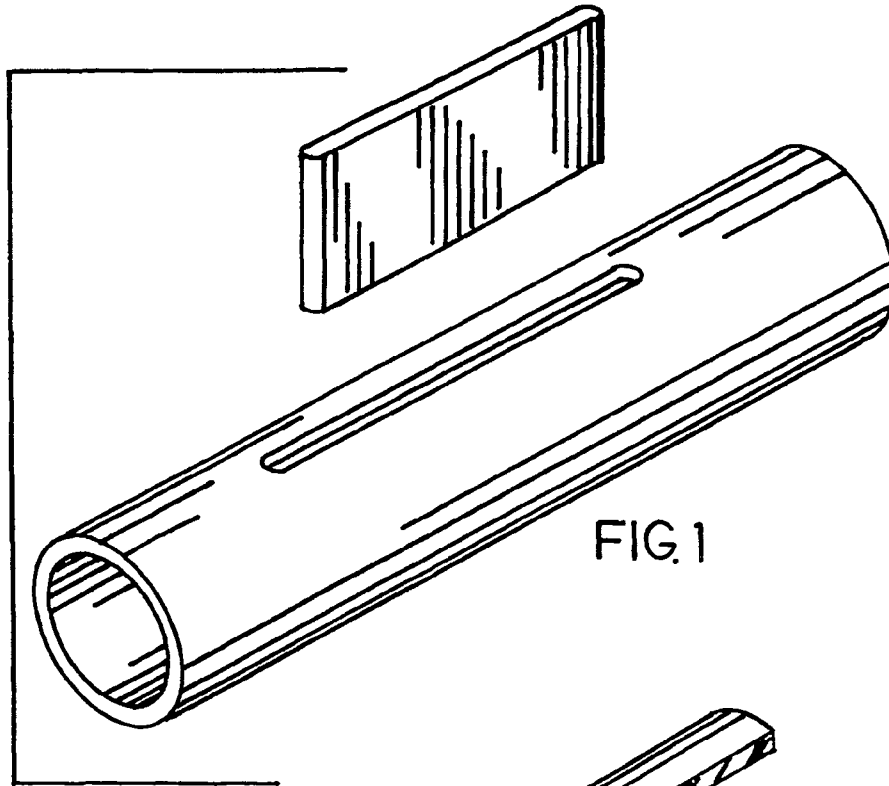


FIG. 1

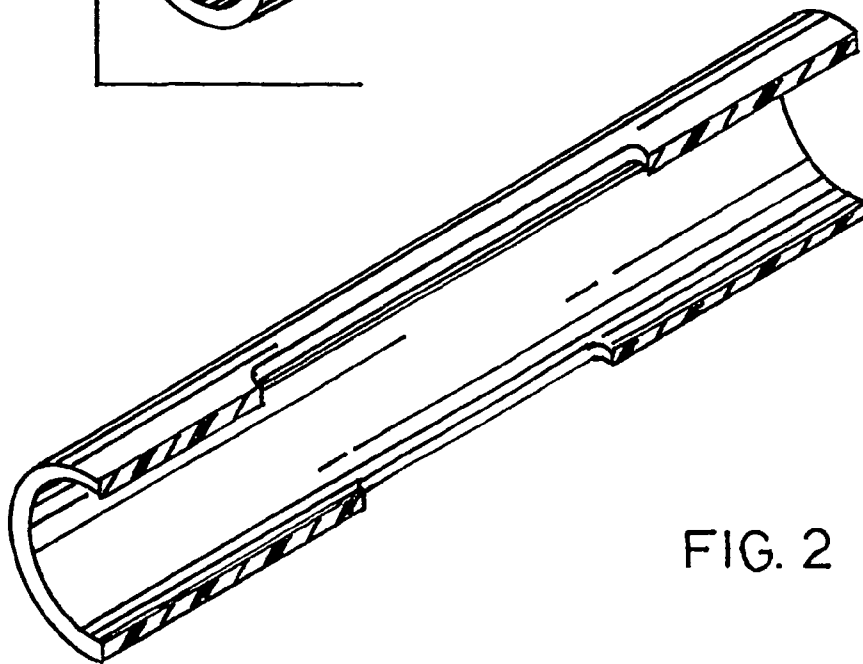


FIG. 2

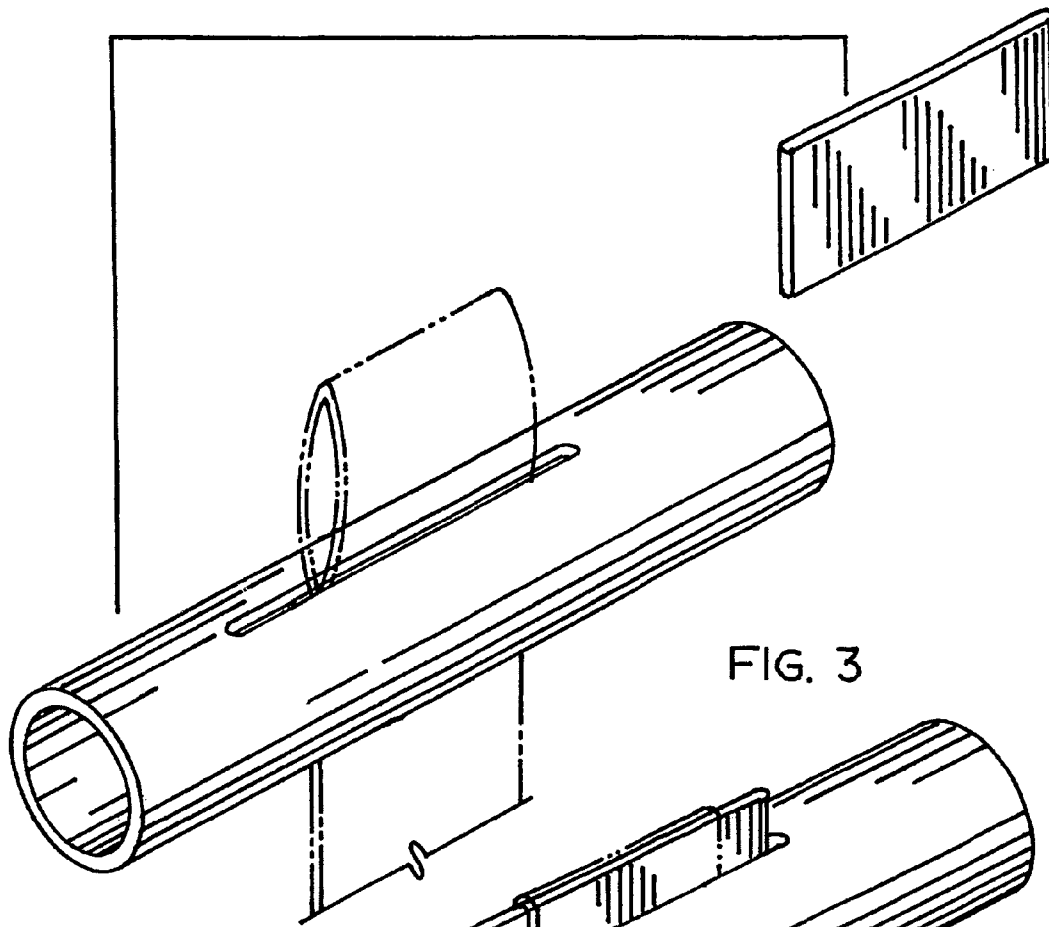


FIG. 3

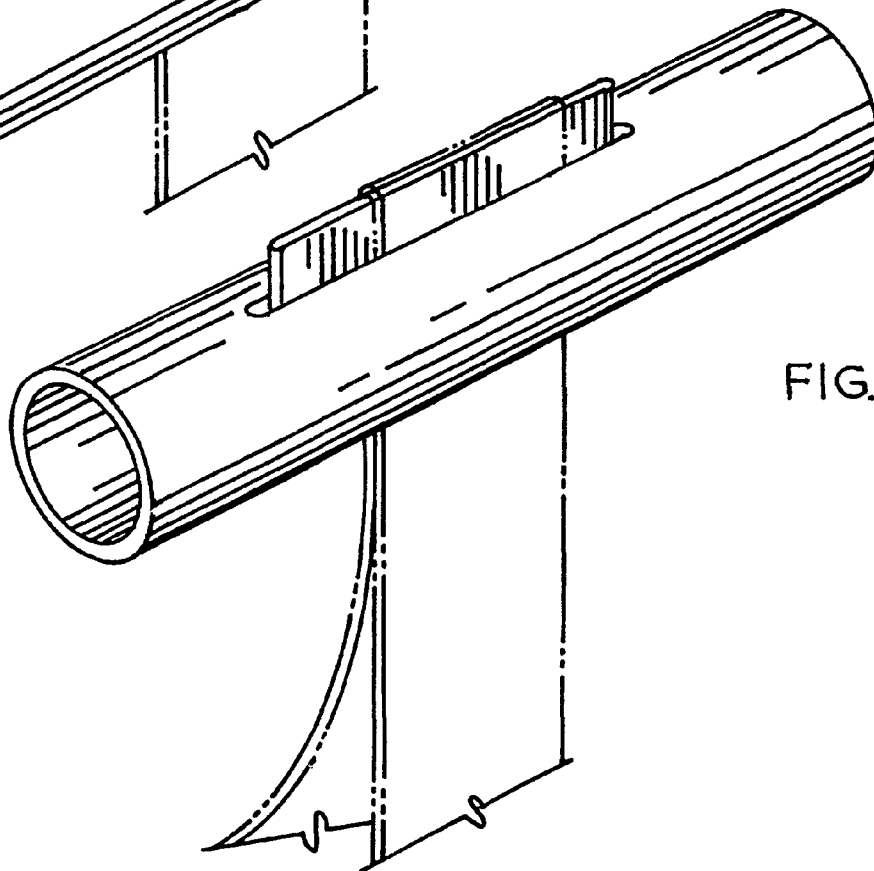


FIG. 4