



US00D787099S

(12) **United States Design Patent**
Giolito

(10) **Patent No.:** **US D787,099 S**

(45) **Date of Patent:** **** May 16, 2017**

(54) **LUMINOUS DEVICE FOR A VEHICLE**

(71) Applicant: **FCA Italy S.p.A.**, Turin (IT)

(72) Inventor: **Roberto Giolito**, Turin (IT)

(73) Assignee: **FCA ITALY S.p.A.**, Turin (IT)

(**) Term: **15 Years**

(21) Appl. No.: **29/548,724**

(22) Filed: **Dec. 16, 2015**

(30) **Foreign Application Priority Data**

Jun. 17, 2015 (EM) 002720599

(51) **LOC (10) Cl.** **26-07**

(52) **U.S. Cl.**
USPC **D26/28**

(58) **Field of Classification Search**
USPC D26/28-36; 362/459-468, 475-478,
362/485-487

CPC F21S 48/00; F21S 48/10; F21S 48/115;
F21S 48/225; F21S 48/1233; F21S
48/1266; F21S 48/1388; F21S 48/2268;
F21V 21/04

See application file for complete search history.

(56) **References Cited**

U.S. PATENT DOCUMENTS

D471,656 S * 3/2003 Poon D26/28
D521,163 S * 5/2006 Song D26/28

D523,571 S * 6/2006 Sugimoto D26/28
D563,574 S * 3/2008 Ino D26/28
D592,779 S * 5/2009 Svensson D26/28
D713,072 S * 9/2014 Phutrakool D26/28
D721,194 S * 1/2015 Ito D26/28
D722,399 S * 2/2015 Dubosc D26/28
D722,713 S * 2/2015 Burns D26/28
D744,675 S * 12/2015 Schneider D26/28
D750,819 S * 3/2016 Schneider D26/28
D761,984 S * 7/2016 Kobayashi D26/28

* cited by examiner

Primary Examiner — Angela J Lee

(74) *Attorney, Agent, or Firm* — Cowan, Liebowitz & Latman, P.C.

(57) **CLAIM**

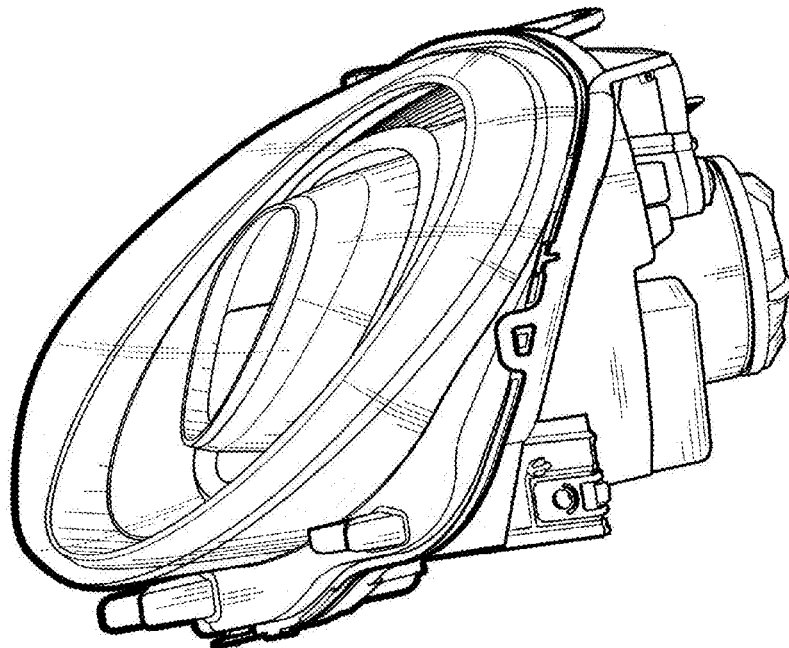
The ornamental design for a luminous device for a vehicle, as shown and described.

DESCRIPTION

FIG. 1 is a front perspective view of the luminous device for a vehicle showing my design thereof;
FIG. 2 is a front view thereof;
FIG. 3 is a rear view thereof;
FIG. 4 is a right side view thereof;
FIG. 5 is a left side view thereof;
FIG. 6 is a top view thereof; and,
FIG. 7 is a bottom view thereof.

The features shown in broken lines are form no part of the claimed design.

1 Claim, 7 Drawing Sheets



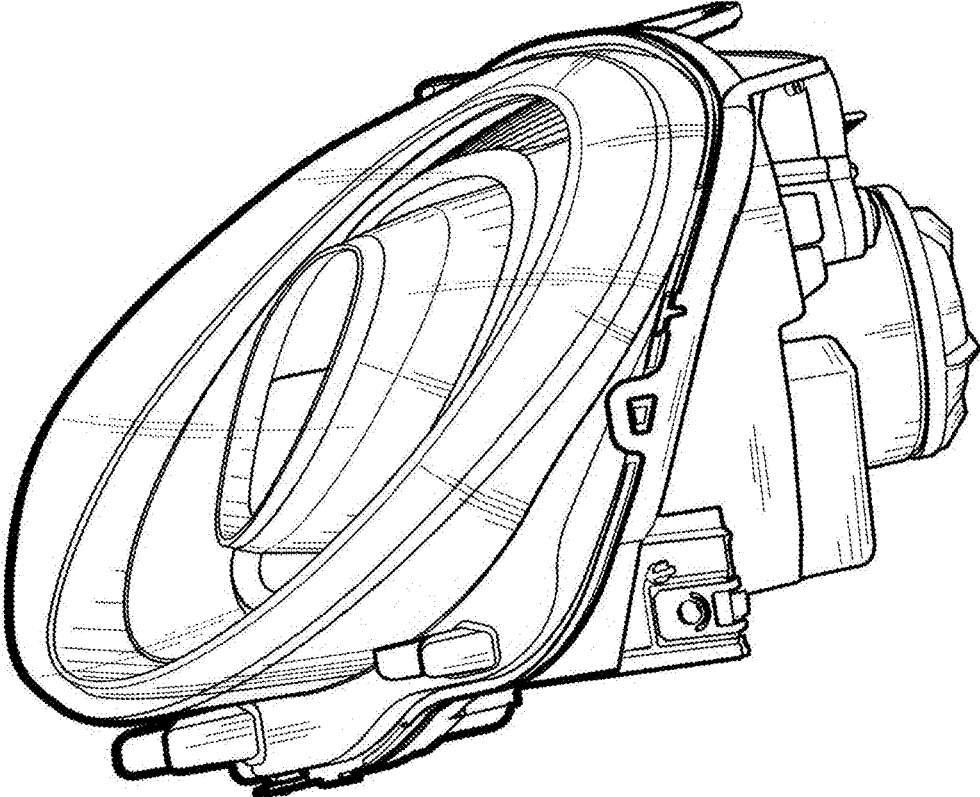


FIG. 1

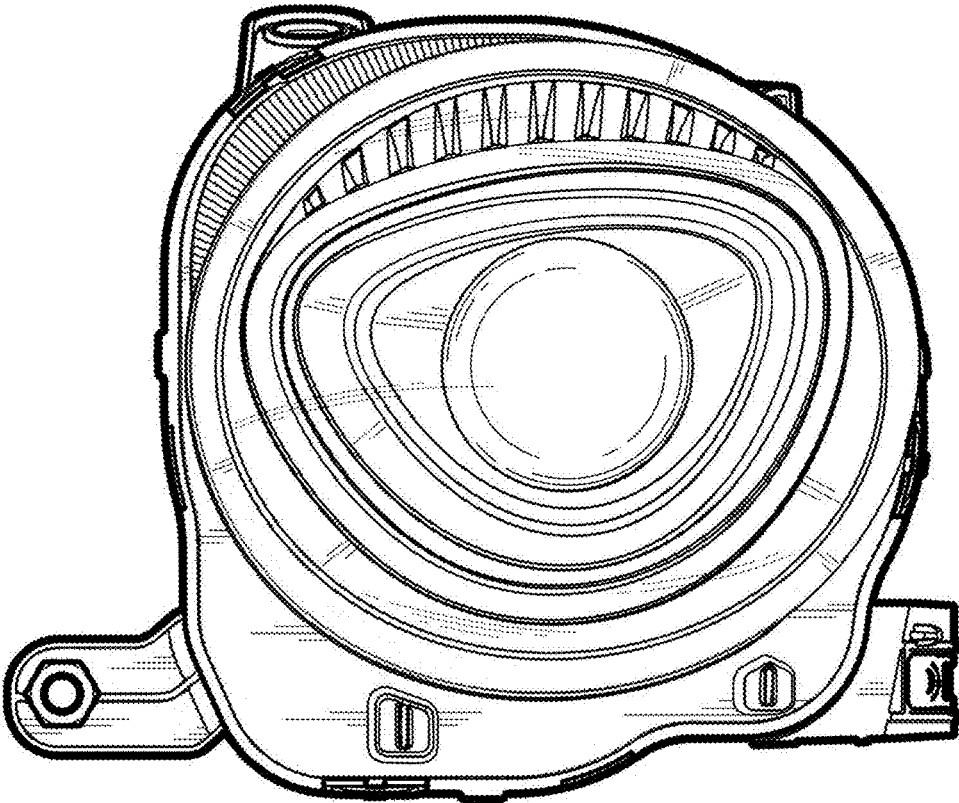


FIG.2

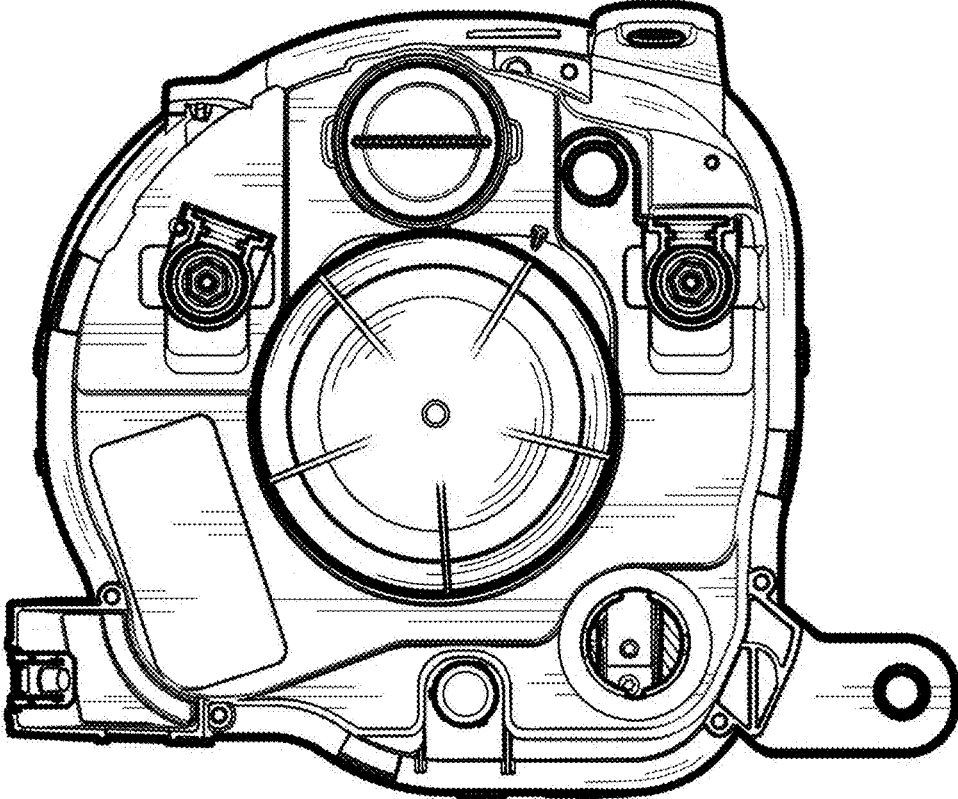


FIG.3

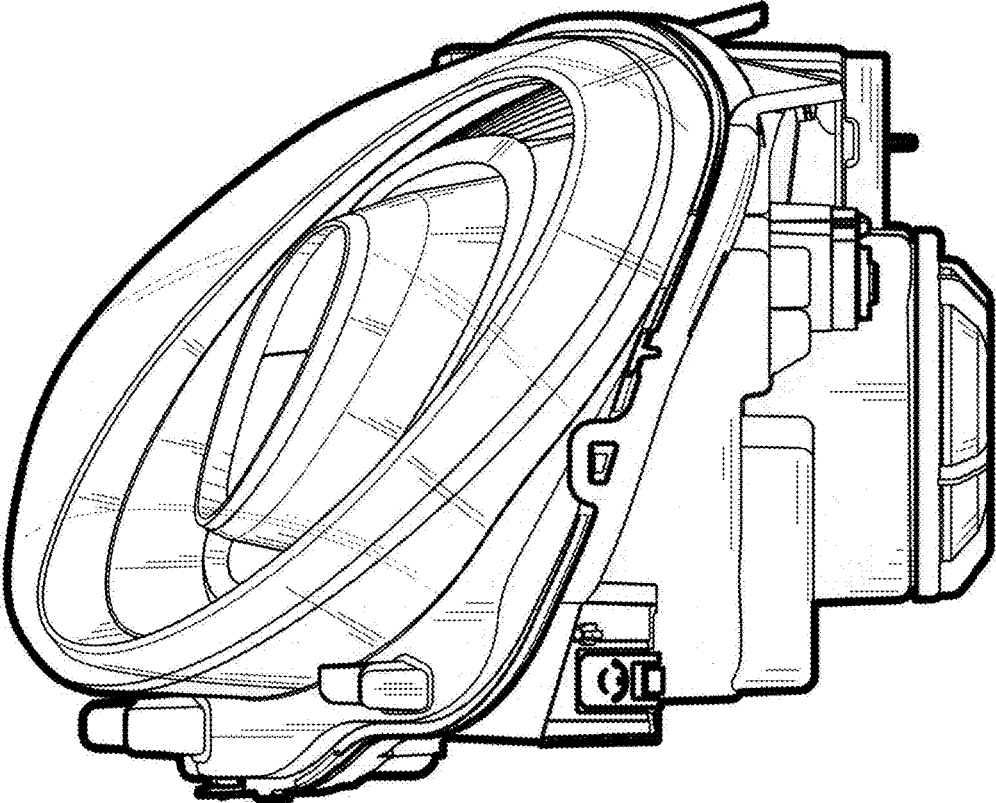


FIG.4

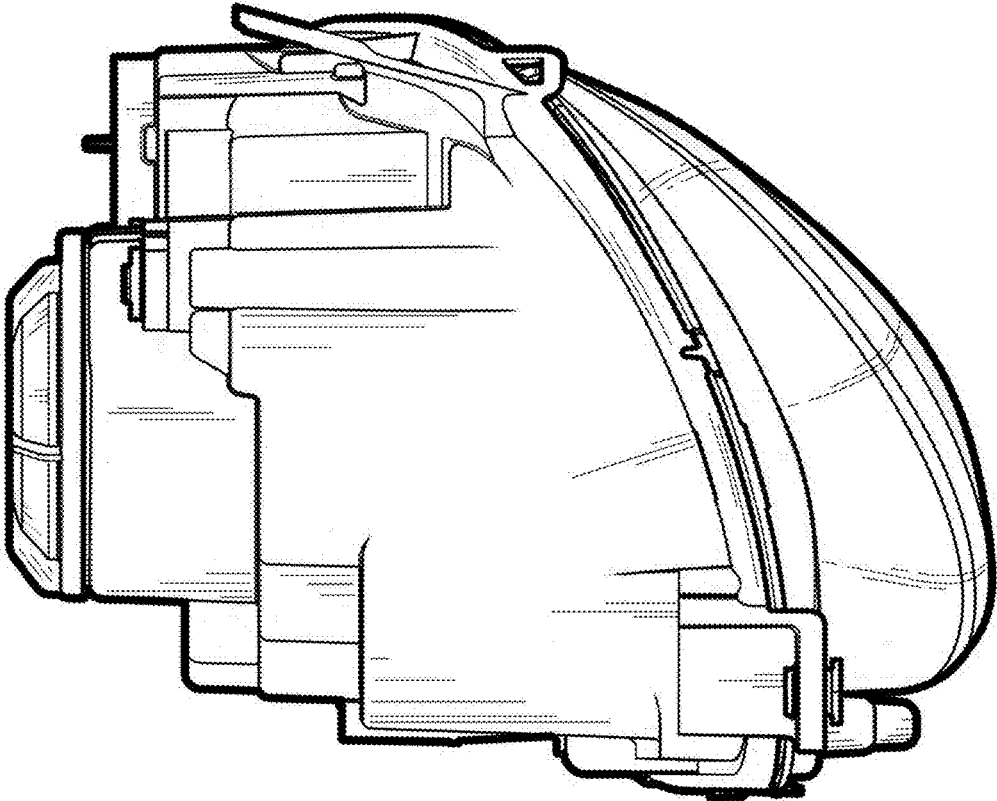


FIG.5

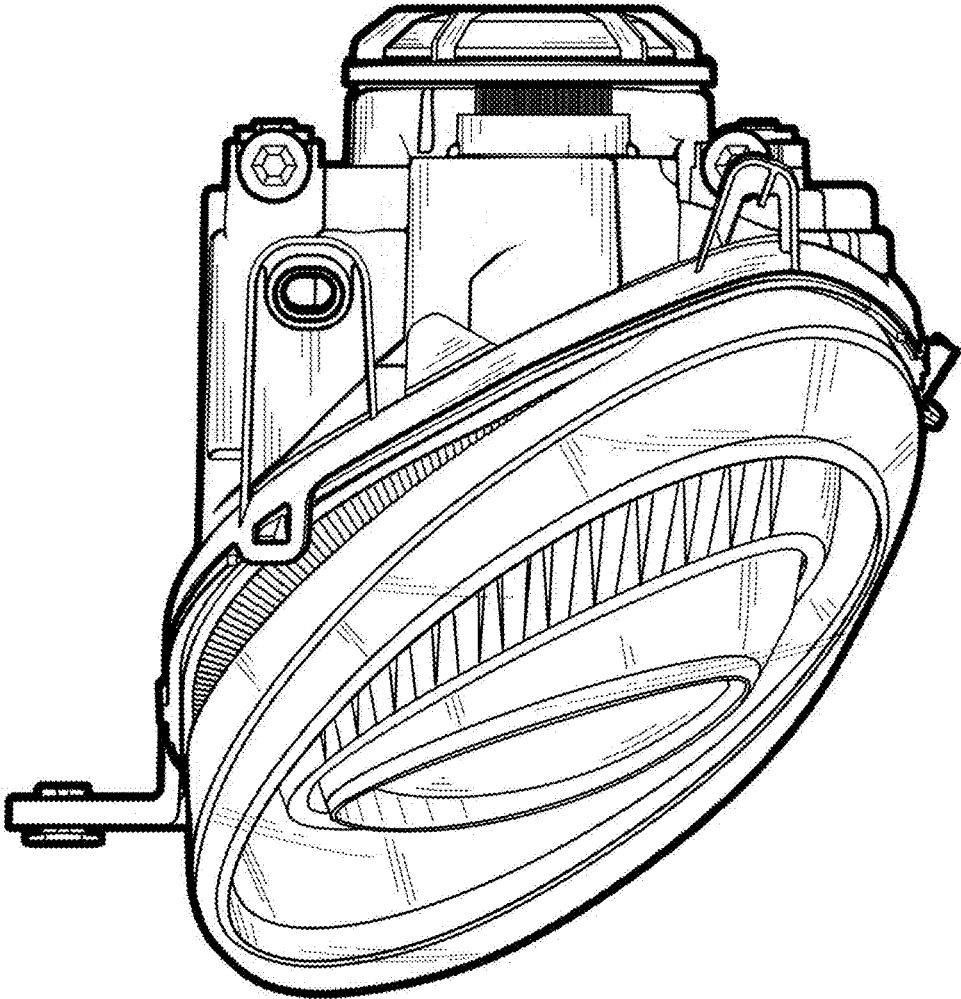


FIG.6

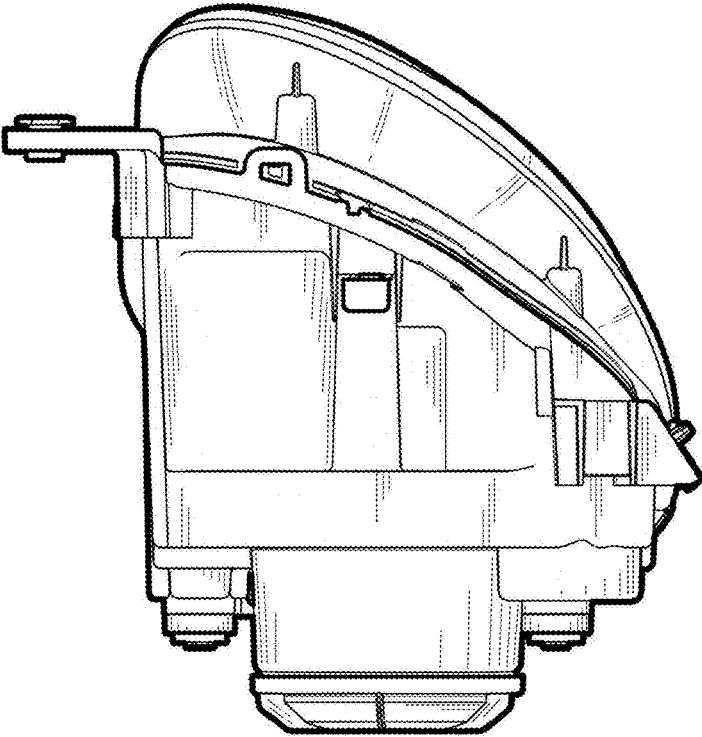


FIG.7