

(12) UK Patent Application (19) GB (11) 2483722 (13) A

(43) Date of A Publication

21.03.2012

(21) Application No: 1015738.6  
(22) Date of Filing: 20.09.2010

(71) Applicant(s):  
**Michael Davy Wadge**  
18 Highfield Grove, BRIGG, North Lincs, DN20 8PT,  
United Kingdom

(72) Inventor(s):  
**Michael Davy Wadge**

(74) Agent and/or Address for Service:  
**Michael Davy Wadge**  
18 Highfield Grove, BRIGG, North Lincs, DN20 8PT,  
United Kingdom

(51) INT CL:  
**F24B 1/195** (2006.01)

(56) Documents Cited:  
**GB 2149498 A**                      **GB 0770271 A**  
**GB 0694818 A**                      **FR 002618882 A1**  
**US 4700687 A**

(58) Field of Search:  
INT CL **E04F, F24B**  
Other: **WPI, EPODOC, Internet**

(54) Title of the Invention: **Stove box**  
Abstract Title: **A metal stove box for a fireplace**

(57) A metal stove box 1 has two side faces 5,6, a rear face 3, a top face 4 and is open at the front 2, with an aperture 7 in the top face 4 for a flue Y. The box 1 can be fitted in an existing fireplace, or be placed against a wall and a chimney breast built around it. A flange 4A,5A,6A can extend normal to the top and side faces 4-6, with fixing plates 5B,5C,6B,6C. The box 1 can have a bottom face, and placed on a hearth C and/or plinth E or with a hearth C inside. The inside of the box 1 can be lined. The box 1 can be supplied as a flat pack, and used with a log-burning or multi-fuel stove.

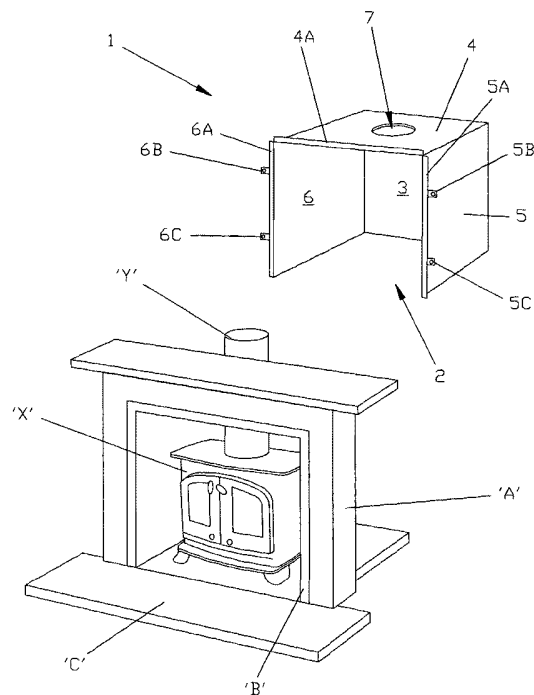


Figure 1

GB 2483722 A

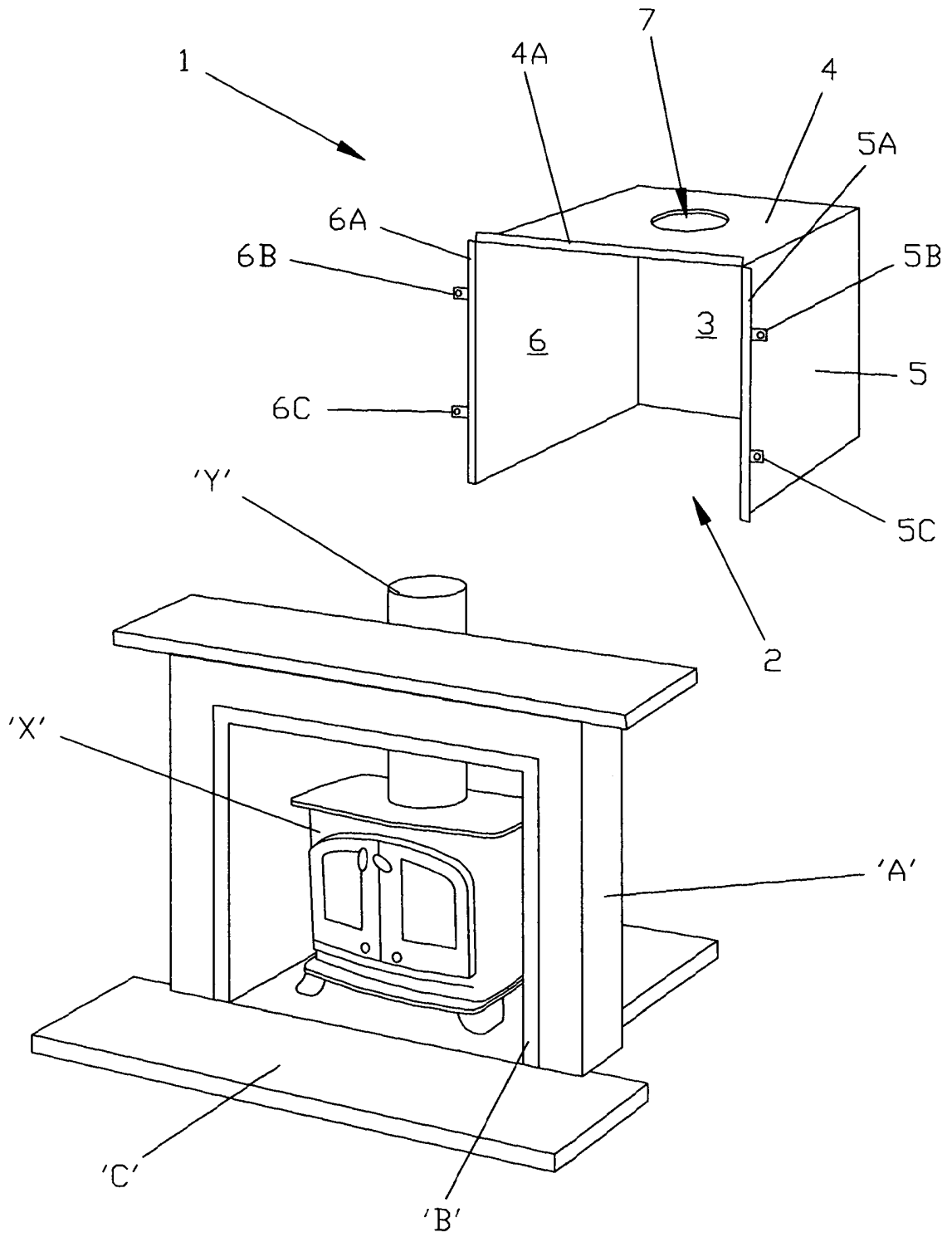


Figure 1

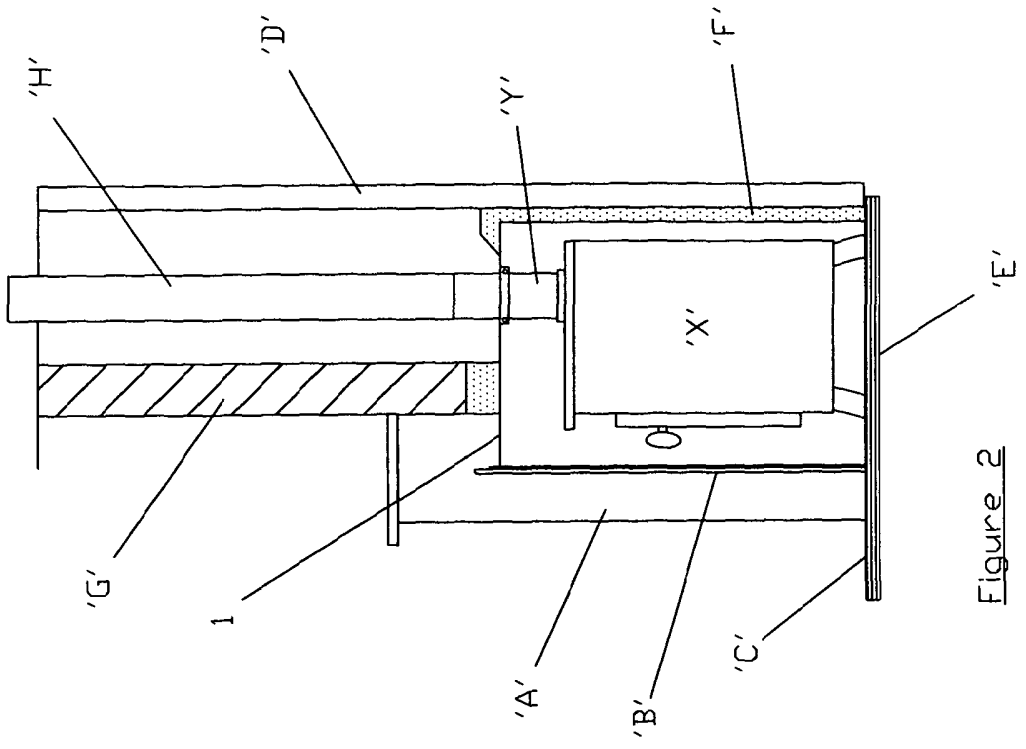


Figure 2

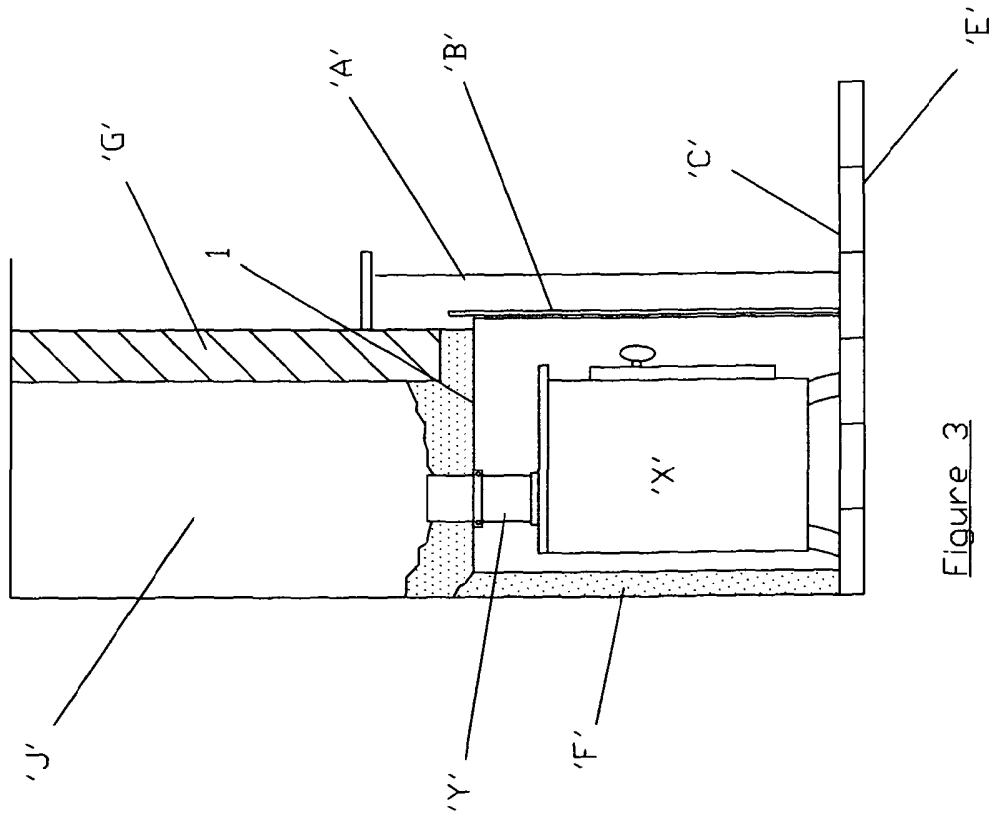


Figure 3

Title: Stove Box

The present invention relates to a stove box.

It is often desirable to build a fireplace to accommodate a stove such as a log-burning or multi-fuel stove.

If such a stove goes into an existing chimney breast, it is necessary to cut a recess out of a size to accommodate the stove, and then face the recess with a suitable fireproof facing before inserting the stove. This can be a lengthy job, especially cutting the recess out to an exact required size.

Similarly if placing such as stove in room without a chimney breast, it can be a lengthy job building a chimney breast and a suitable recess of the exact size.

The invention seeks to provide a solution to this problem.

According to the present invention there is provided a stove box comprising a metal box having an open front face, a rear face, a top face and two side faces, and an aperture in the top face to receive a stove flue.

Preferably the top and side faces support a flange adjacent the open face perimeter. The flange preferably extends normal to the top and side faces. Fixing plates may extend from the flange to secure the flange in abutting engagement with a fireplace surround.

The box may further include a bottom face.

The invention also relates to a method of building a fireplace for a stove comprising placing the above defined box adjacent a wall in a room, building a chimney breast around the box, and inserting a stove in the box. The box may be mounted on a plinth. A hearth may be placed in the bottom of the box. A fireplace surround may be secured to said box open face. The inside of the box side and top faces may be lined.

The invention also relates a method of building a fireplace in a chimney breast comprising creating a recess in the chimney breast, inserting the above defined box in the recess, and inserting a stove in the box. The box may be mounted on a plinth. A hearth may be placed in the bottom of the box. A fireplace surround may be secured to said box open face. The inside of the box side and top faces may be lined.

Embodiments of the invention will now be described with reference to the accompanying drawings in which:

Figure 1 a box, a hearth and fireplace surround,

Figure 2 shows the box in an existing chimney breast, and

Figure 3 shows the box and a chimney breast built around the box.

Referring to Figure 1 there is shown a stove box 1.

Box 1 may be of metal such as steel, and may be galvanised and/or primed. Box 1 has an open front face 2, a rear face 3, a top face 4 and two side faces 5,6. A aperture 7 is provided in the top face to receive a stove flue "Y" of a stove "X".

Top face 4 and side faces 5,6 support flanges 4A,5A,6A adjacent the open face perimeter. The flange preferably extends normal to the top and side faces. Fixing plates 5B,5C and 6B,6C may extend from the flange to secure the flange in abutting engagement with a fireplace surround "A" with a décor plate "B".

The box 1 may further include a bottom face (not shown).

A hearth "C", on which stove "X" sits, may extend into the box.

The box 1 may be used to build a fireplace for a stove "X" as shown in Figure 2. Box 1 is placed adjacent a wall "D" in a room. A plinth "E" may be laid on the floor of a room and Hearth "C" put on the plinth. Vermiculite "F" may be placed around the box 1. A fireplace surround "A" with décor plate "B" is fitted around the box open front face using fixing plates 5B,5C and 6B,6C. A chimney breast "G" can then be built around the box 1. A flue liner "H" directs exhaust from the stove "X" with flue "Y" placed in the box 1 to ambient air outside. The inside of the box side and top faces may be lined with fireproof materials e.g. tiled board, brick and stone effect, or reeded fireboard.

The invention thus also relates to a method of building a fireplace for a stove comprising placing the above defined box adjacent a wall in a room, building a chimney breast around the box, and inserting a stove in the box.

The box 1 may be used to build a fireplace for a stove "X" in an existing chimney breast as shown in Figure 3. Box 1 is placed adjacent a recess in a fireplace with the front open face flush with the front of the existing chimney breast "G". A plinth "E" may be laid on the floor of a room and Hearth "C" put on the plinth. Vermiculite "F" may be placed around the box 1. A fireplace surround "A" with décor plate "B" is fitted around the box open front face using fixing plates 5B,5C and 6B,6C. Exhaust from the stove "X" with flue "Y" in box 1 can be directed to ambient air outside using the existing chimney "J". The inside of the box side and

top faces may be lined with fireproof materials e.g. tiled board, brick and stone effect, or reeded fireboard.

The invention thus also relates a method of building a fireplace in a chimney breast comprising creating a recess in the chimney breast, inserting the above defined box in the recess, and inserting a stove in the box.

The invention may take a form different to that specifically described above. For example the box could be sold “flat pack” in sheet form for assembly by a user.

Further modifications will be apparent to those skilled in the art without departing from the scope of the present invention.



CLAIMS

1. A stove box comprising a metal box having an open front face , a rear face , a top face and two side faces, and an aperture in the top face to receive a stove flue.

2. A stove box according to claim 1, wherein the top and side faces support a flange adjacent the open face perimeter.

3. A stove box according to claim 2, wherein the flange preferably extends normal to the top and side faces.

4. A stove box according to claim 2 or 3, wherein fixing plates extend from the flange to secure the flange in abutting engagement with a fireplace surround.

5. A stove box according to any preceding claim, wherein the box further includes a bottom face.

6. A method of building a fireplace for a stove comprising placing a stove box according to any preceding claim adjacent a wall in a room, building a chimney breast around the box, and inserting a stove in the box.

7. A method according to claim 6, wherein the box is mounted on a plinth.


8. A method according to claim 6 or 7, wherein a hearth is placed in the bottom of the box.

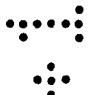
9. A method according to 6, 7, or 8, wherein a fireplace surround is secured to said box open face.

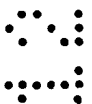
10. A method according to any of claims 6 to 9, wherein the inside of the box side and top faces are lined.

11. A method of building a fireplace in a chimney breast comprising creating a recess in the chimney breast, inserting a stove box according to any of claims 1 to 5 in the recess, and inserting a stove in the box.

12. A method according to claim 11, wherein the box is mounted on a plinth.

 13. A method according to claim 11 or 12, wherein a hearth is placed in the bottom of the box.

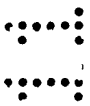
 14. A method according to claim 11, 12, or 13, wherein a fireplace surround is secured to said box open face.

 15. A method according to any of claims 11 to 14, wherein the inside of the box side and top faces are lined.

16. A stove box substantially as hereinbefore described with reference to and as shown in the accompanying drawings.

17. A method of building a fireplace for a stove substantially as hereinbefore described with reference to and as shown in the accompanying drawings.

18. A method of building a fireplace in a chimney breast substantially as hereinbefore described with reference to and as shown in the accompanying drawings.





**Application No:** GB1015738.6

**Examiner:** Terence Newhouse

**Claims searched:** 1-15

**Date of search:** 11 April 2011

**Patents Act 1977: Search Report under Section 17**

**Documents considered to be relevant:**

Category	Relevant to claims	Identity of document and passage or figure of particular relevance
X	1,5,11,12, 14,15	GB2149498 A MCLAUGHLIN, see page 2 lines 13-24
X	1,5,6,8- 11,13-15	US4700687 A MINPRO, see fig 3 noting box 20 that can be put in fireplace or built around
X	1-7,9,10	FR2618882 A1 AUER, see also WPI Abstract Accession No. 1989-087883 [12] and figs noting box 12 around which fireplace is constructed
X	1-3,6-10	GB694818 A BLACKBURN DUMBARTON, see page 2 lines 28-87
X	1-3,11,14	GB770271 A HAZEL, note metal box for fireplace

**Categories:**

X	Document indicating lack of novelty or inventive step	A	Document indicating technological background and/or state of the art.
Y	Document indicating lack of inventive step if combined with one or more other documents of same category.	P	Document published on or after the declared priority date but before the filing date of this invention.
&	Member of the same patent family	E	Patent document published on or after, but with priority date earlier than, the filing date of this application.

**Field of Search:**

Search of GB, EP, WO & US patent documents classified in the following areas of the UKC<sup>X</sup> :

Worldwide search of patent documents classified in the following areas of the IPC

E04F; F24B

The following online and other databases have been used in the preparation of this search report

WPI, EPODOC, Internet

**International Classification:**

Subclass	Subgroup	Valid From
F24B	0001/195	01/01/2006