



US00D735580S

(12) **United States Design Patent**  
**Bourne et al.**

(10) **Patent No.:** **US D735,580 S**

(45) **Date of Patent:** **\*\* Aug. 4, 2015**

- (54) **BOTTLE**
- (71) Applicant: **SIDEL PARTICIPATIONS**, Octeville sur Mer (FR)
- (72) Inventors: **Damien Bourne**, Octeville sur Mer (FR); **Gilles Coat**, Octeville sur Mer (FR)
- (73) Assignee: **SIDEL PARTICIPATIONS**, Octeville sur Mer (FR)

D600,559 S *	9/2009	Lepoitevin	.....	D9/538
D601,901 S *	10/2009	Lepoitevin	.....	D9/557 X
D602,782 S *	10/2009	Lepoitevin	.....	D9/538
D602,783 S *	10/2009	Lepoitevin	.....	D9/538
D603,268 S *	11/2009	Bourne	.....	D9/552 X
D603,709 S *	11/2009	Lepoitevin	.....	D9/557 X
D604,169 S *	11/2009	Melossi	.....	D9/538
D610,913 S *	3/2010	Lesueur	.....	D9/557 X
D617,144 S *	6/2010	O'Connor et al.	.....	D7/396.2
D621,264 S *	8/2010	Williams	.....	D9/516
D623,950 S *	9/2010	Eugui et al.	.....	D9/516
D648,633 S *	11/2011	Boukobza	.....	D9/538
D666,497 S *	9/2012	Lepoitevin	.....	D9/516

(Continued)

(\*\*) Term: **14 Years**

**OTHER PUBLICATIONS**

(21) Appl. No.: **29/434,597**

"Bottle"; Great Britain Intellectual Property Office Design #4017169; Registration date Sep. 27, 2010; S. A. Spa Monopole (Proprietor).\*

(22) Filed: **Oct. 15, 2012**

(Continued)

(30) **Foreign Application Priority Data**

Apr. 20, 2012 (EM) ..... 1323117

(51) **LOC (10) Cl.** ..... **09-01**

(52) **U.S. Cl.**  
USPC ..... **D9/538**; D9/552; D9/557; D9/571

(58) **Field of Classification Search**  
USPC ..... D9/516, 537-540, 549, 550, 552, D9/556-557, 565, 572-575; 215/382-384; 220/660, 669, 675; D24/197

See application file for complete search history.

*Primary Examiner* — Carol P Rademaker  
(74) *Attorney, Agent, or Firm* — Volpe and Koenig, P.C.

(56) **References Cited**

**U.S. PATENT DOCUMENTS**

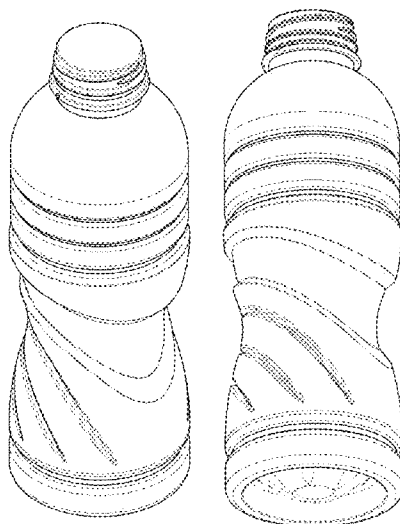
4,538,439 A *	9/1985	Frei	.....	220/670 X
D308,484 S *	6/1990	Browton	.....	D9/552 X
D424,948 S *	5/2000	Ullmo	.....	D9/540
D552,476 S *	10/2007	Yelland	.....	D9/538
D570,701 S *	6/2008	Miller et al.	.....	D9/556 X
D581,285 S *	11/2008	Lepoitevin	.....	D9/552 X
D581,799 S *	12/2008	Bourne	.....	D9/557 X
D582,780 S *	12/2008	Bourne	.....	D9/538
D589,804 S *	4/2009	Lovelace et al.	.....	D9/516

(57) **CLAIM**  
The ornamental design for a bottle, as shown and described.

**DESCRIPTION**

FIG. 1 is a top, front, left side perspective view of a bottle showing our new design;  
FIG. 2 is a bottom, front, left side perspective view thereof;  
FIG. 3 is a right side elevational view thereof;  
FIG. 4 is a front elevational view thereof;  
FIG. 5 is a left side elevational view thereof;  
FIG. 6 is a rear elevational view thereof;  
FIG. 7 is a bottom plan view thereof; and,  
FIG. 8 is a top plan view thereof.  
The broken lines shown in the drawings are included for the purpose of illustrating environmental structure and form no part of the claimed design.

**1 Claim, 8 Drawing Sheets**



(56)

**References Cited**

**OTHER PUBLICATIONS**

U.S. PATENT DOCUMENTS

D699,114 S \* 2/2014 Fleischhacker et al. .... D9/516  
D699,580 S \* 2/2014 Eaton et al. .... D9/537 X  
D700,519 S \* 3/2014 Eaton et al. .... D9/575 X  
D700,842 S \* 3/2014 Lo et al. .... D9/538  
D701,123 S \* 3/2014 Lo et al. .... D9/552 X  
D719,449 S \* 12/2014 Eaton et al. .... D9/540 X

“A Bottle”; Great Britain Intellectual Property Office Design  
#20900057; Registration date Feb. 4, 2000; Waters and Robson Limited (Proprietor).\*

\* cited by examiner

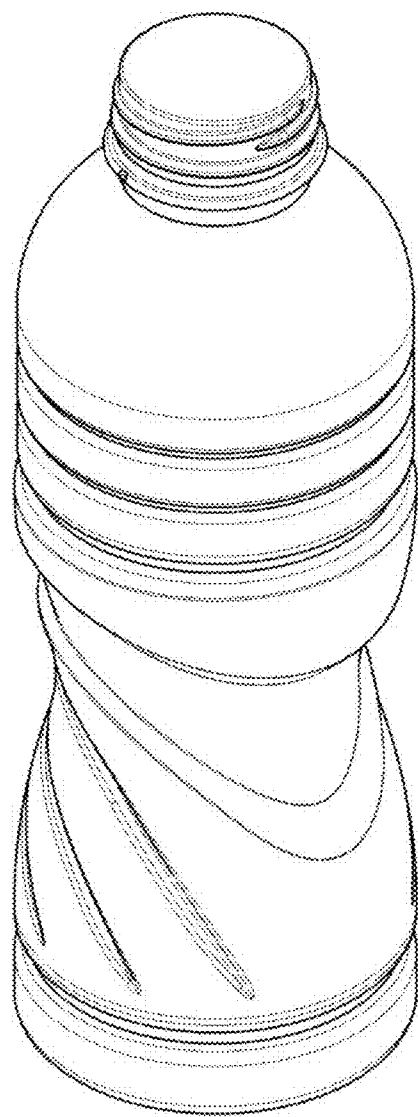


FIG. 1

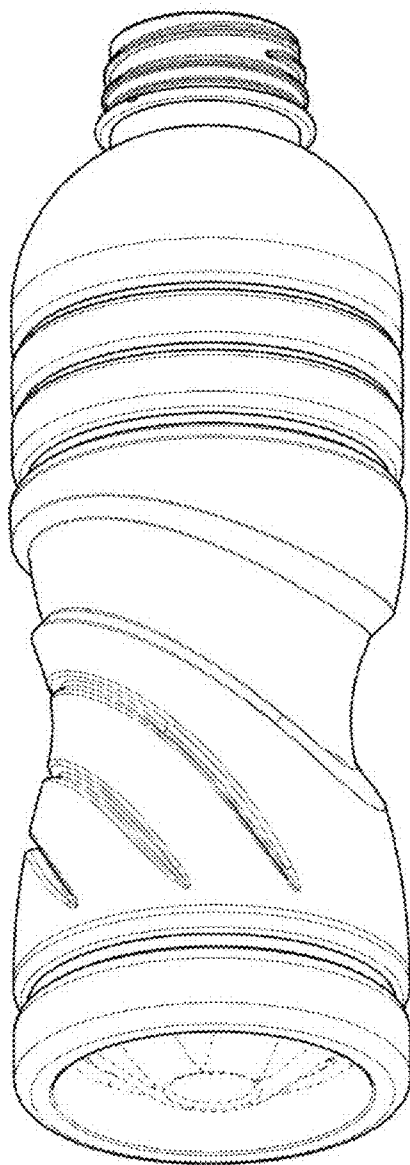


FIG. 2

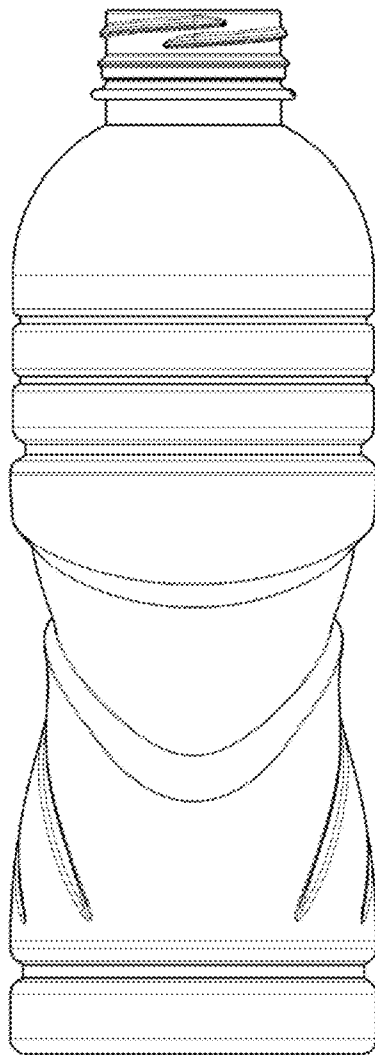


FIG. 3

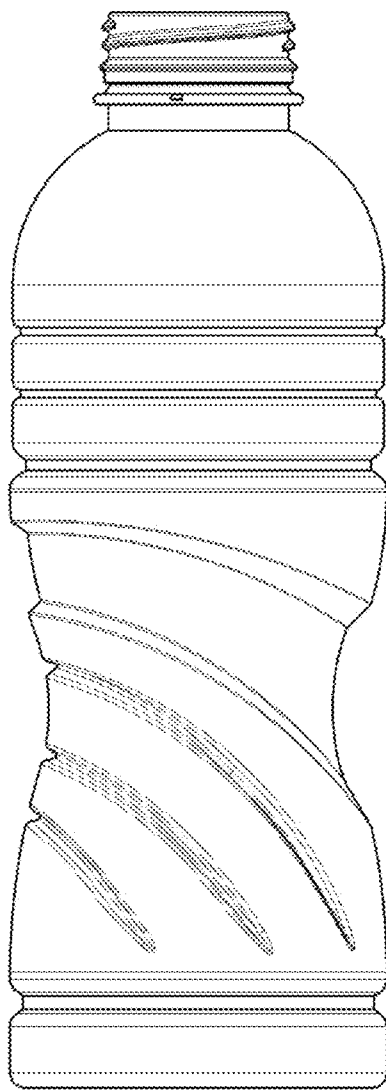


FIG. 4

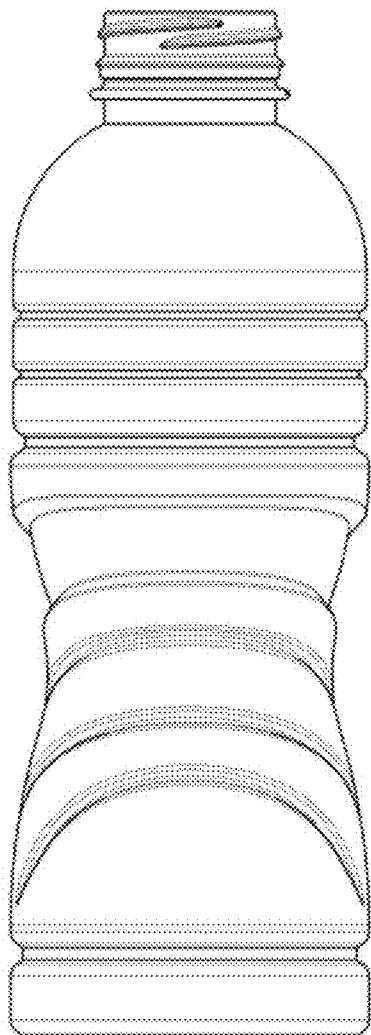


FIG. 5

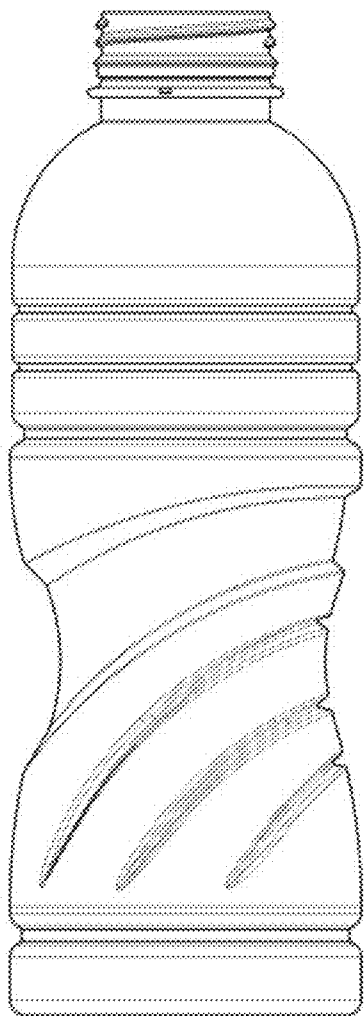


FIG. 6

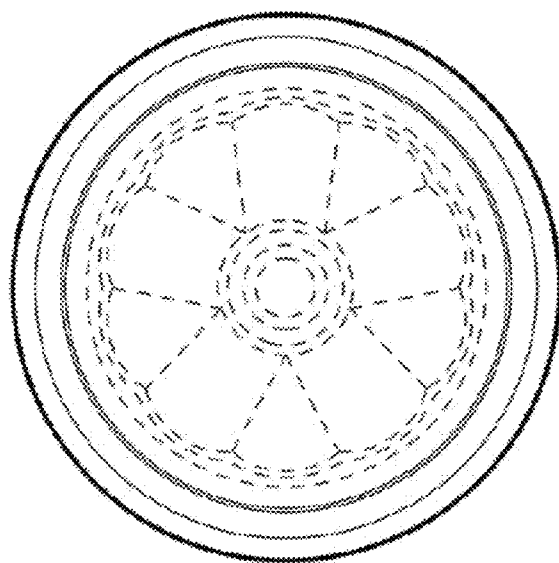


FIG. 7

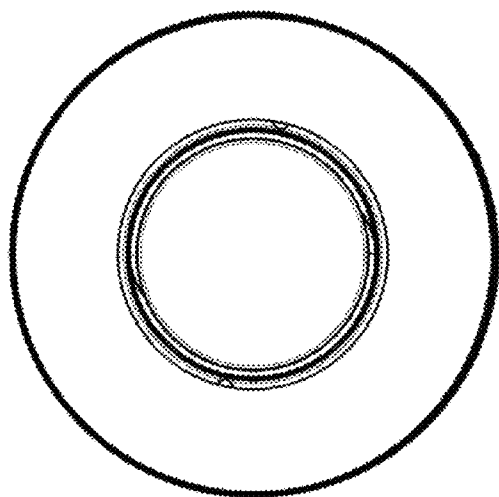


FIG. 8