



US00D746288S

(12) **United States Design Patent**
Mathis et al.

(10) **Patent No.:** **US D746,288 S**

(45) **Date of Patent:** **** Dec. 29, 2015**

(54) **DISPLAY FOR USE WITH PEN-TYPE INJECTION DEVICE**

(71) Applicant: **Sanofi-Aventis Deutschland GmbH**,
Frankfurt am Main (DE)

(72) Inventors: **Jan Mathis**, Vienna (AT); **Nik Pelzl**,
Vienna (AT)

(73) Assignee: **SANOFI-AVENTIS DEUTSCHLAND GMBH**,
Frankfurt am Main (DE)

(**) Term: **14 Years**

(21) Appl. No.: **29/481,184**

(22) Filed: **Feb. 3, 2014**

(30) **Foreign Application Priority Data**

Aug. 2, 2013 (EM) 002 286 054

(51) **LOC (10) Cl.** **14-02**

(52) **U.S. Cl.**
USPC **D14/432**

(58) **Field of Classification Search**
USPC D14/372, 496, 432, 371, 125, 126, 129,
D14/299; D16/300-342; 351/158, 153, 144;
345/7-9, 905; 455/344; 348/115, 53,
348/121, 739

CPC G02B 27/017; G02B 27/0158; G02B
27/0161; G02B 27/0181; G02B 27/0185;
G02B 27/0189

See application file for complete search history.

(56) **References Cited**

U.S. PATENT DOCUMENTS

D616,447 S * 5/2010 Smith D14/411
D700,909 S * 3/2014 Bowser D14/432
D723,036 S * 2/2015 Longo et al. D14/432
D727,903 S * 4/2015 Madsen D14/411

* cited by examiner

Primary Examiner — Austin Murphy

(74) *Attorney, Agent, or Firm* — Scully Scott Murphy and
Presser

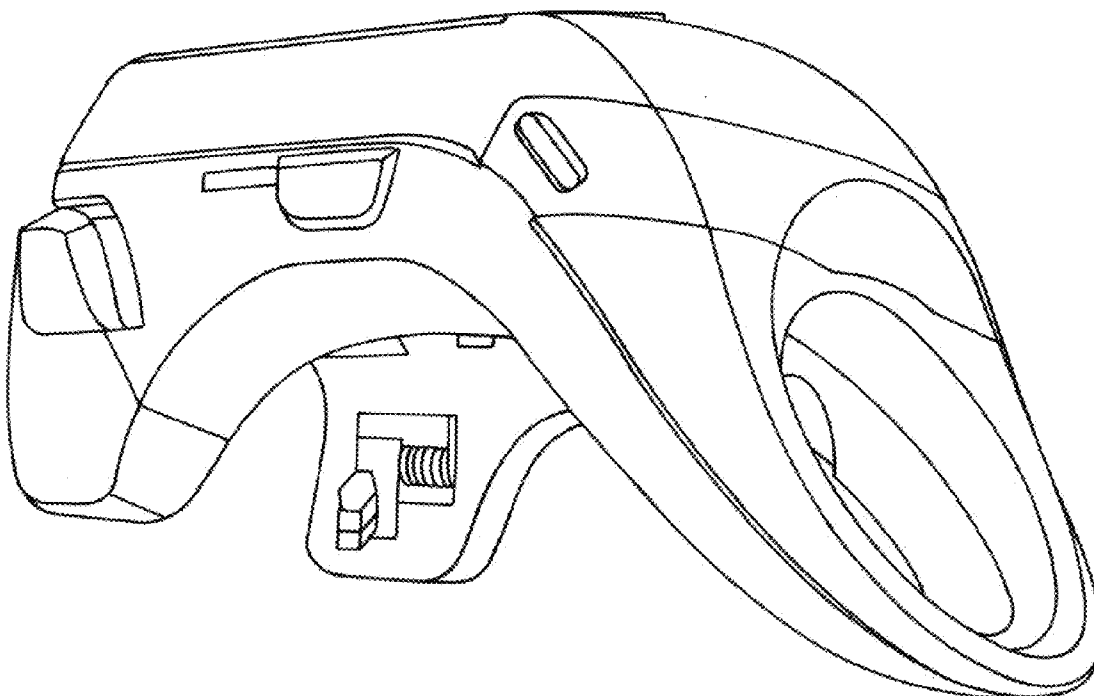
(57) **CLAIM**

The ornamental design for a display for use with pen-type
injection device, as shown.

DESCRIPTION

FIG. 1 is a perspective view of a display for use with pen-type
injection device, showing our new design;
FIG. 2 is a front view thereof;
FIG. 3 is a rear view thereof;
FIG. 4 is a side view thereof;
FIG. 5 is an opposite side view thereof;
FIG. 6 is a top view thereof; and,
FIG. 7 is a bottom view thereof.

1 Claim, 7 Drawing Sheets



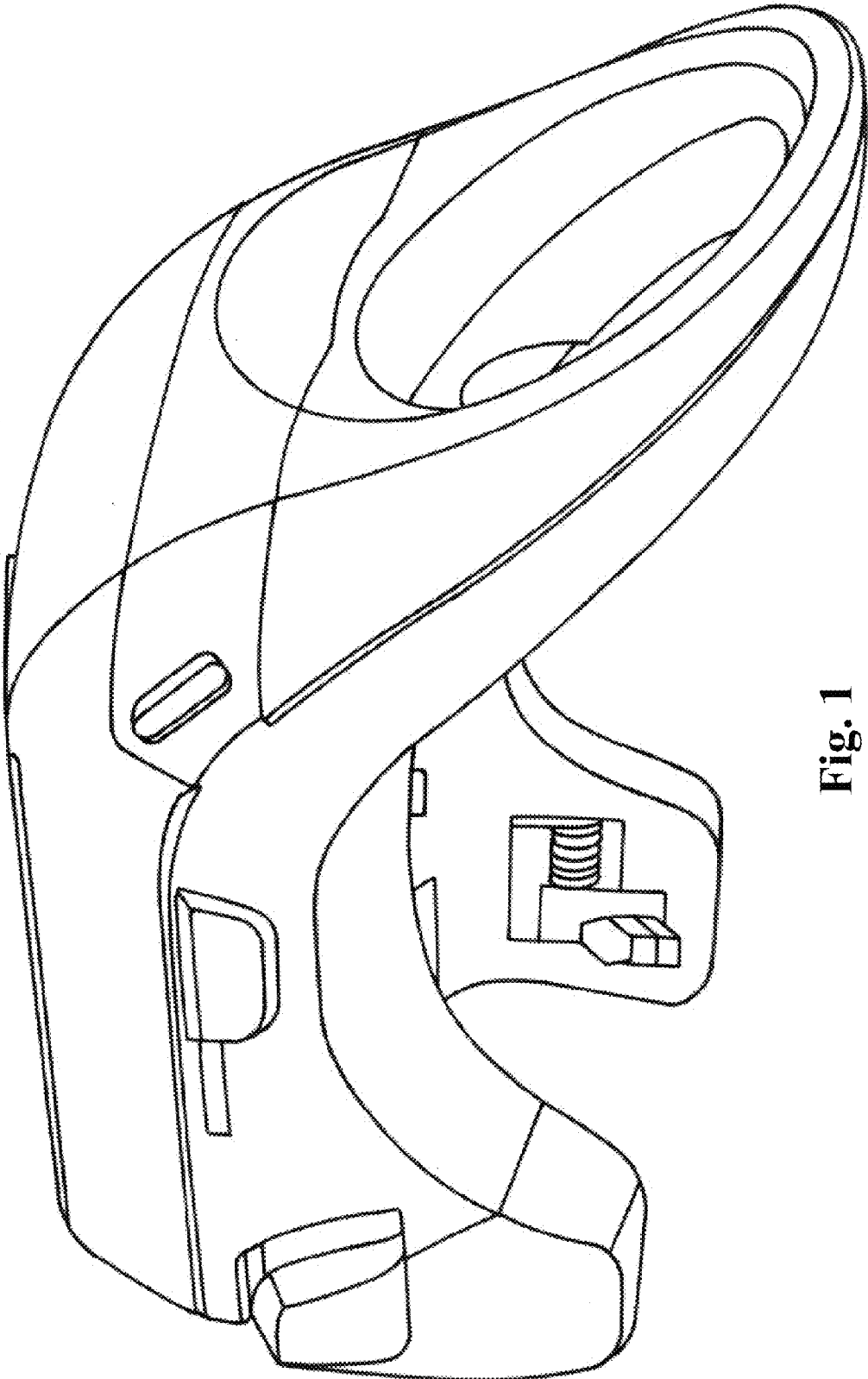


Fig. 1

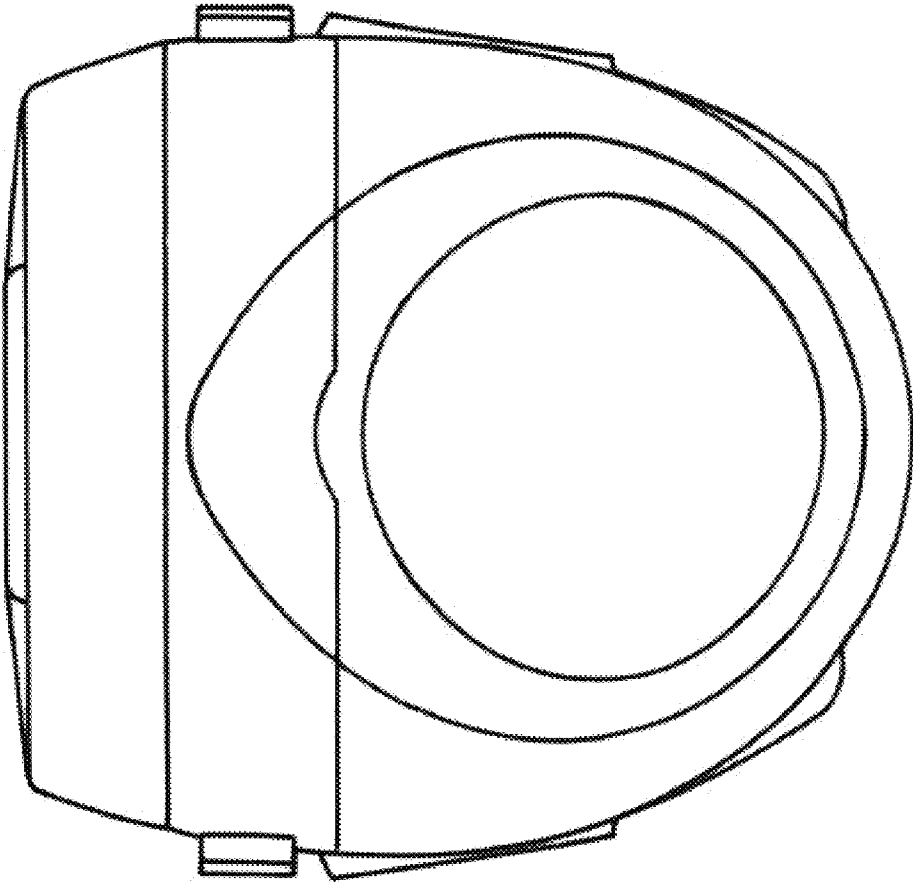


Fig. 2

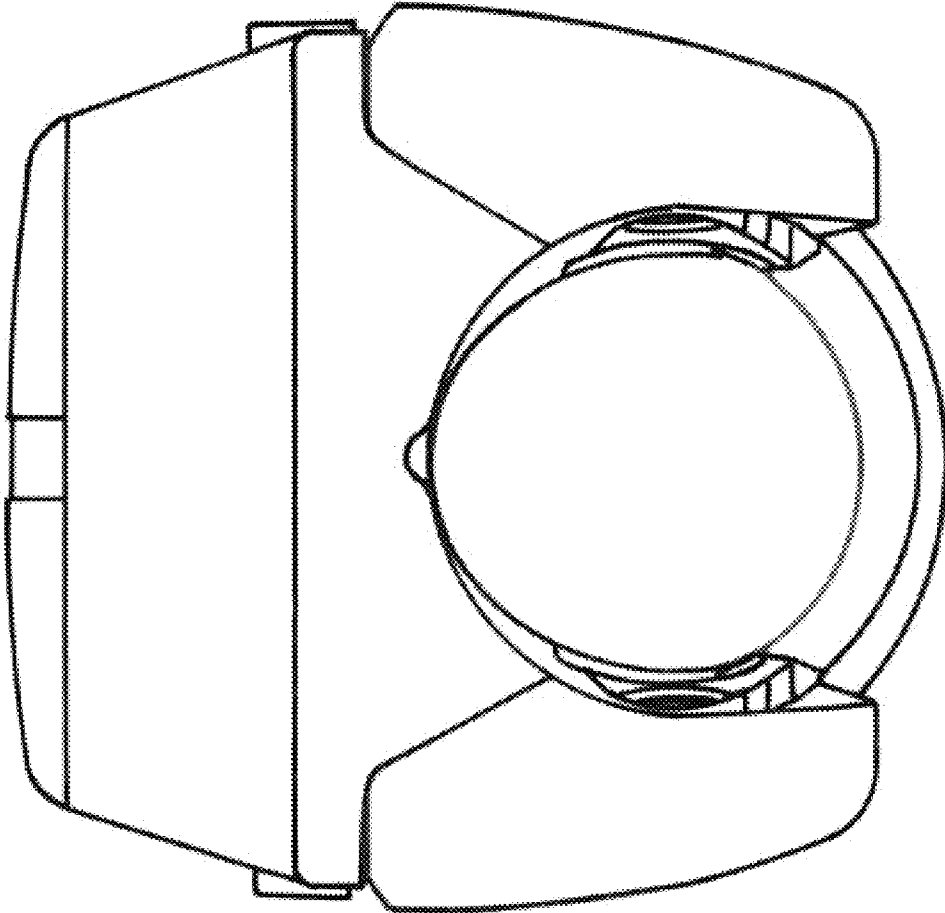


Fig. 3

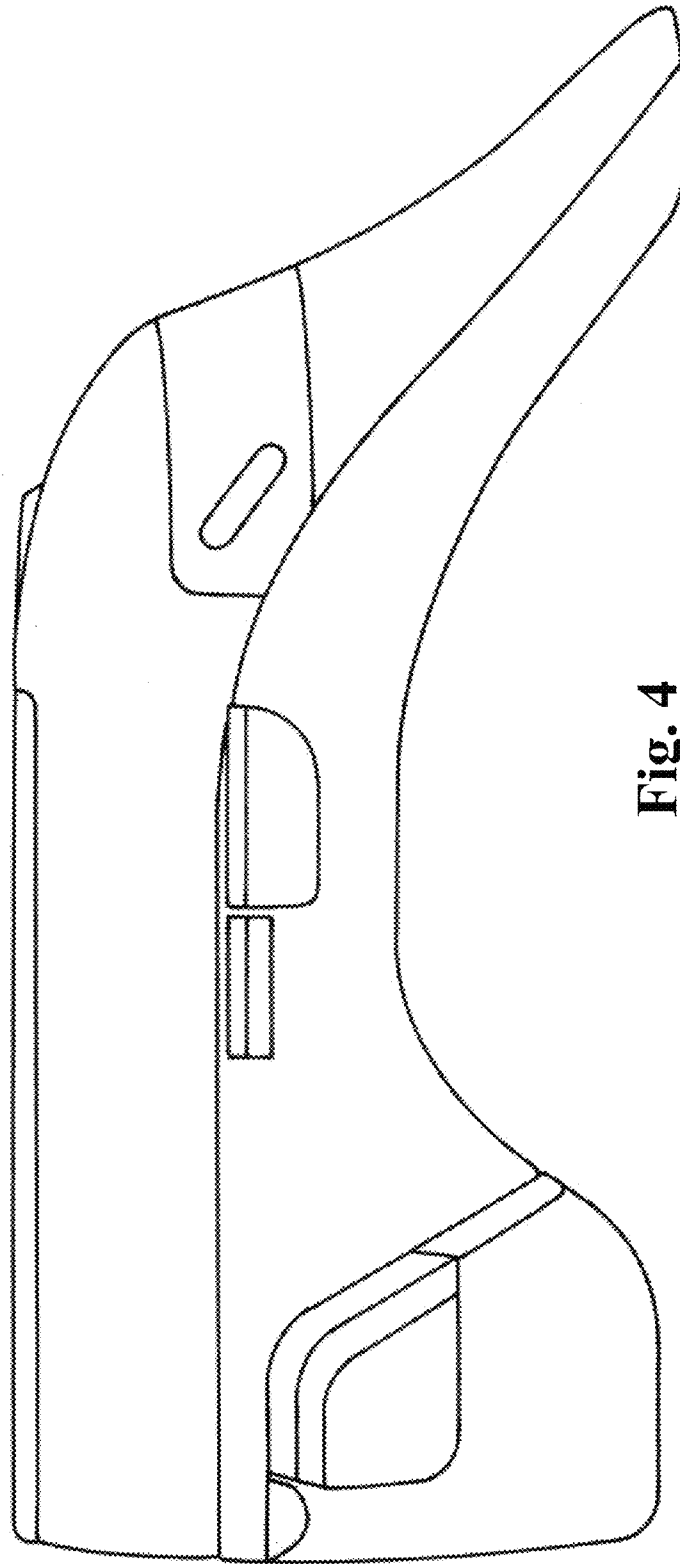


Fig. 4

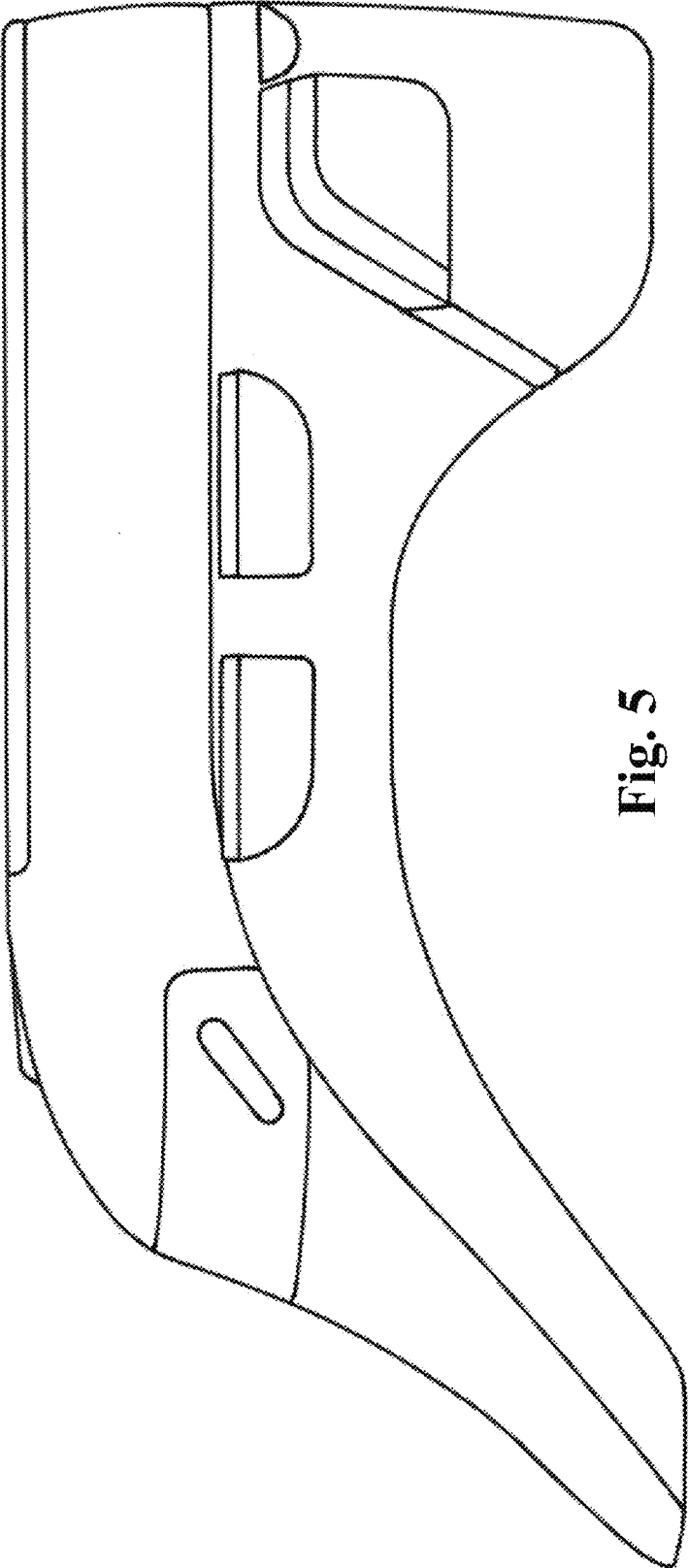


Fig. 5

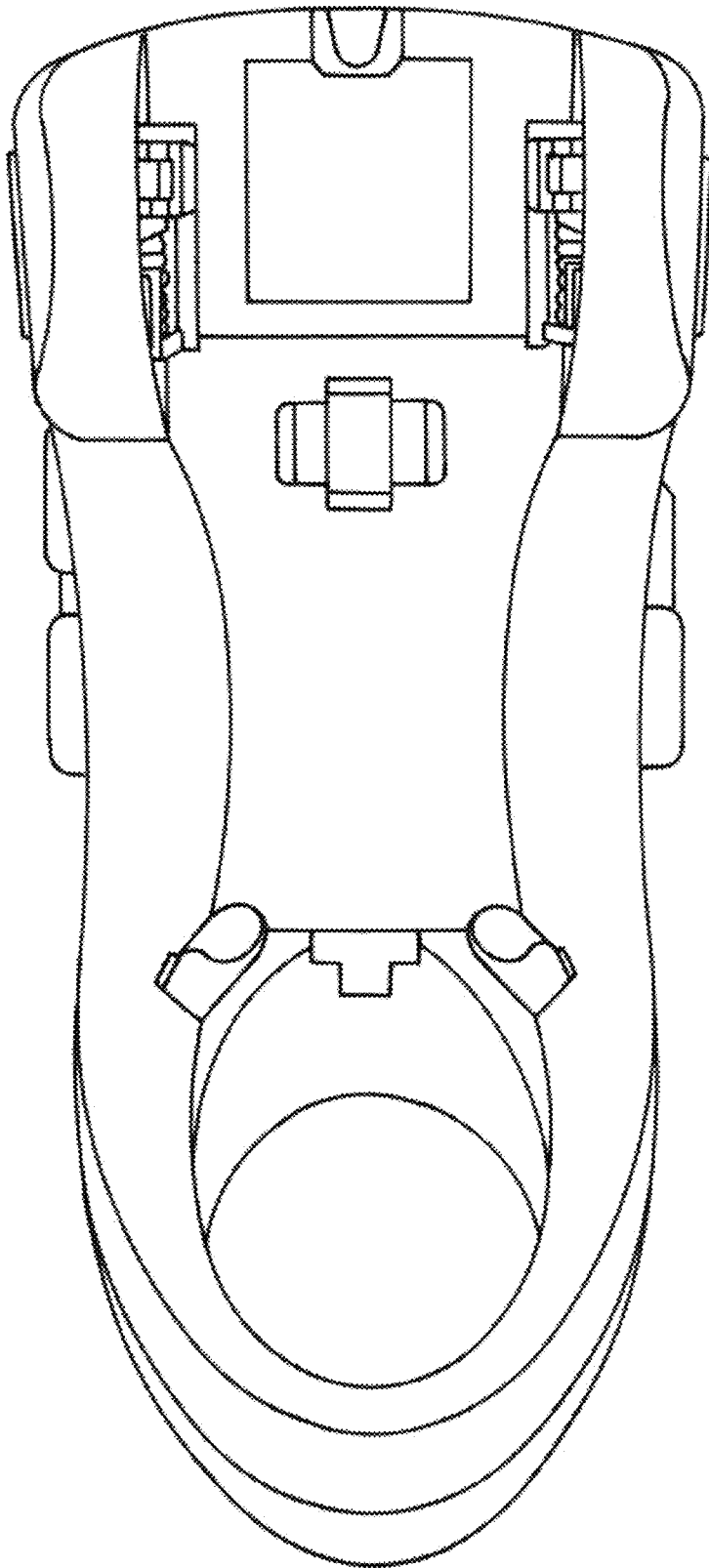


Fig. 6

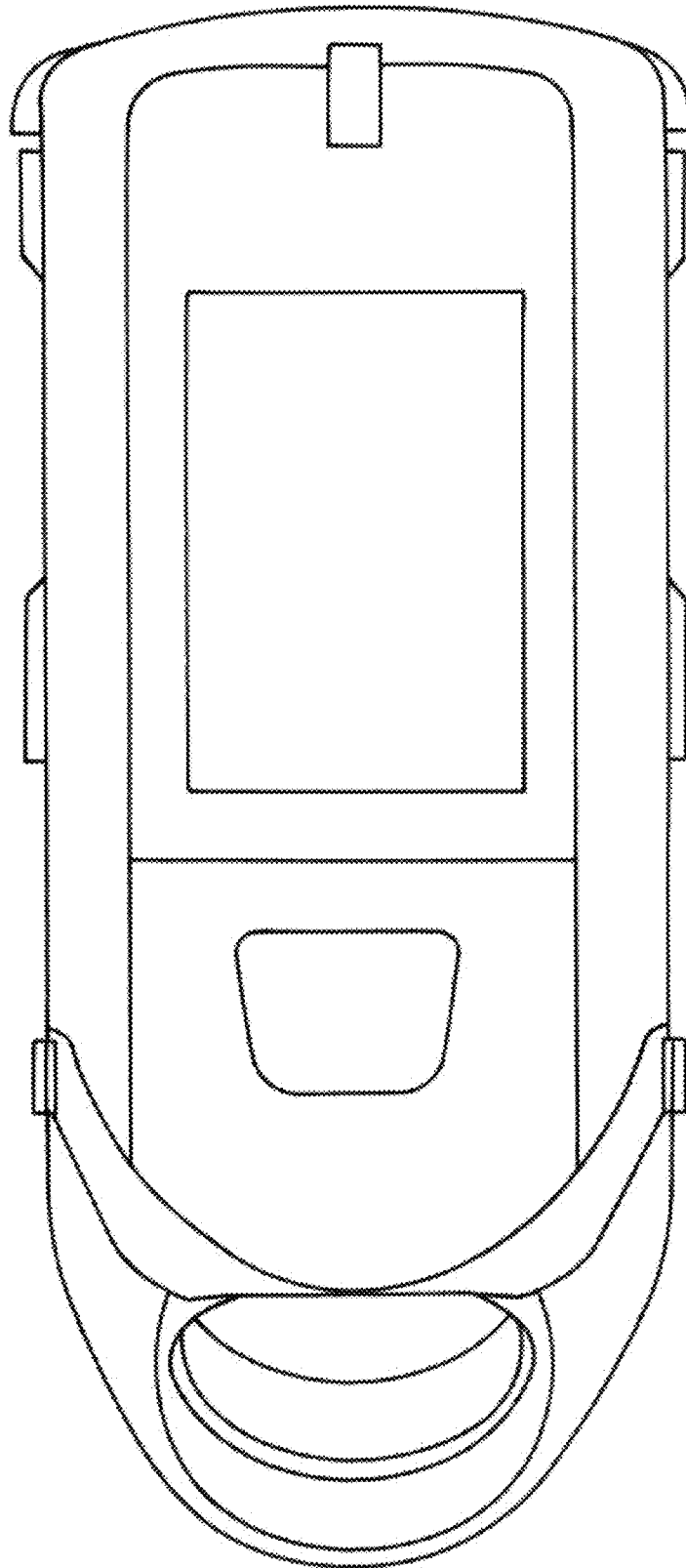


Fig. 7