



US0D1024289S

(12) **United States Design Patent**
Kroneberger

(10) **Patent No.:** **US D1,024,289 S**

(45) **Date of Patent:** **** Apr. 23, 2024**

(54) **GUTTER COVER**

(71) Applicant: **Jeffrey Todd Kroneberger**, Hunt Valley, MD (US)

(72) Inventor: **Jeffrey Todd Kroneberger**, Hunt Valley, MD (US)

(**) Term: **15 Years**

(21) Appl. No.: **29/866,101**

(22) Filed: **Aug. 29, 2022**

Related U.S. Application Data

(63) Continuation-in-part of application No. 29/833,528, filed on Apr. 5, 2022, which is a continuation-in-part of application No. 29/747,232, filed on Aug. 20, 2020.

(51) **LOC (14) Cl.** **23-01**

(52) **U.S. Cl.**
USPC **D23/267**

(58) **Field of Classification Search**

USPC D23/209, 233, 248, 249, 253, 259-269, D23/385, 386, 387, 388, 390, 393, 397, D23/411, 412; D24/129; D25/41.1, D25/119-125, 136; D8/354, 376, 377, D8/382, 396
CPC A47L 9/24; A47L 9/242; A47L 9/244; A61M 16/0816; A61M 16/0833; A61M 39/00; A61M 39/223; B65G 51/18; E04D 13/08; E04D 13/064; E04D 13/076; E04D 13/0646; E04D 13/0725; E04B 2/78; E04C 2/38; E04C 3/02; E04C 3/30; E04F 11/181; E05F 13/0826; F16L 9/00; F16L 9/06; F16L 13/00; F16L 13/46; F16L 11/11; F16L 11/15; F16L 11/16; F16L 11/121; F16L 17/06; F16L 17/035; F16L 47/00; F16L 33/01

See application file for complete search history.

(56) **References Cited**

U.S. PATENT DOCUMENTS

D30,630 S * 4/1899 Caldwell D25/119
2,271,081 A 1/1942 Layton
3,351,206 A 11/1967 Wennerstrom
3,436,878 A 4/1969 Singer
D232,091 S * 7/1974 Clark D23/267
(Continued)

FOREIGN PATENT DOCUMENTS

CA 2541186 A1 7/2007
CA 2923880 A2 4/2015
(Continued)

Primary Examiner — Gino Colan
Assistant Examiner — David OBrien
(74) *Attorney, Agent, or Firm* — Nixon & Vanderhye P.C.

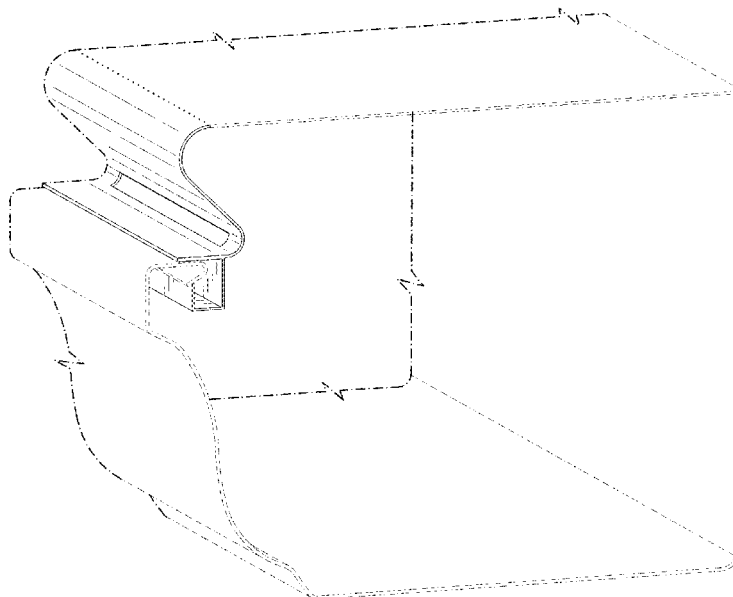
(57) **CLAIM**

The ornamental design for a gutter cover, as shown and described.

DESCRIPTION

FIG. 1 is a front perspective view of a gutter cover showing my new design in a first embodiment;
FIG. 2 is another perspective view thereof showing the gutter cover in isolation;
FIG. 3 is a front view thereof;
FIG. 4 is a rear view thereof;
FIG. 5 is a top view thereof;
FIG. 6 is a bottom view thereof;
FIG. 7 is a right side view thereof;
FIG. 8 is a left side view thereof; and,
FIG. 9 is a rear perspective view thereof.
The broken lines represent environmental structure or unclaimed portions of the gutter cover and do not form a portion of the claimed design. The dot-dash-dot lines represent the boundary between claimed and unclaimed portions of the gutter cover.

1 Claim, 9 Drawing Sheets



(56)

References Cited

U.S. PATENT DOCUMENTS

3,834,091 A * 9/1974 Dugan E04D 13/076
52/12

4,467,570 A 8/1984 Kriegel

4,592,174 A 6/1986 Hileman

4,905,427 A 3/1990 McPhalen

5,375,379 A 12/1994 Meckstroth

5,471,798 A 12/1995 Kuhns

5,557,891 A 9/1996 Albracht

5,660,001 A 8/1997 Albracht

6,016,631 A 1/2000 Lowrie, III

6,098,344 A 8/2000 Albracht

6,412,228 B1 7/2002 Meckstroth

6,786,008 B2 9/2004 Brochu

7,104,011 B1 9/2006 Knight

D586,437 S * 2/2009 Cangialosi D23/267

7,627,991 B1 12/2009 Feldhaus

7,765,742 B2 8/2010 Ealer

8,276,321 B2 10/2012 Bell

8,297,000 B1 * 10/2012 Demartini E04D 13/076
52/12

8,316,585 B2 11/2012 Brochu

8,322,082 B2 12/2012 Neumann

8,434,269 B1 5/2013 Brochu

8,650,803 B2 2/2014 Robins

9,021,747 B2 5/2015 Lenney et al.

9,127,463 B1 9/2015 Feldhaus

9,163,406 B1 10/2015 Ealer

D793,540 S * 8/2017 Adams D23/267

D819,790 S 6/2018 Killian

10,344,482 B2 7/2019 Brochu

10,519,667 B1 12/2019 Ealer

10,816,133 B1 * 10/2020 Paredes E04C 3/30

11,268,282 B1 3/2022 Kroneberger

2003/0046876 A1 3/2003 Higginbotham

2004/0118052 A1 6/2004 Brochu

2005/0166465 A1 8/2005 Banks et al.

2006/0107603 A1 5/2006 Brownridge

2006/0230687 A1 10/2006 Ealer

2007/0214730 A1 * 9/2007 Cota E04D 13/076
52/12

2009/0019786 A1 * 1/2009 Bachman E04D 13/076
52/12

2009/0320381 A1 12/2009 Gerig

2010/0071273 A1 3/2010 Joly

2011/0041414 A1 * 2/2011 Bell E04D 13/0725
52/12

2011/0185641 A1 8/2011 Snell

2012/0192502 A1 8/2012 Glander

2013/0326846 A1 12/2013 Cullen

2015/0033638 A1 2/2015 Davis

2015/0089883 A1 4/2015 Peck et al.

2017/0058529 A1 3/2017 Brochu

2017/0204611 A1 7/2017 Brochu

2020/0217074 A1 7/2020 Graves

2022/0056700 A1 2/2022 Kroneberger

FOREIGN PATENT DOCUMENTS

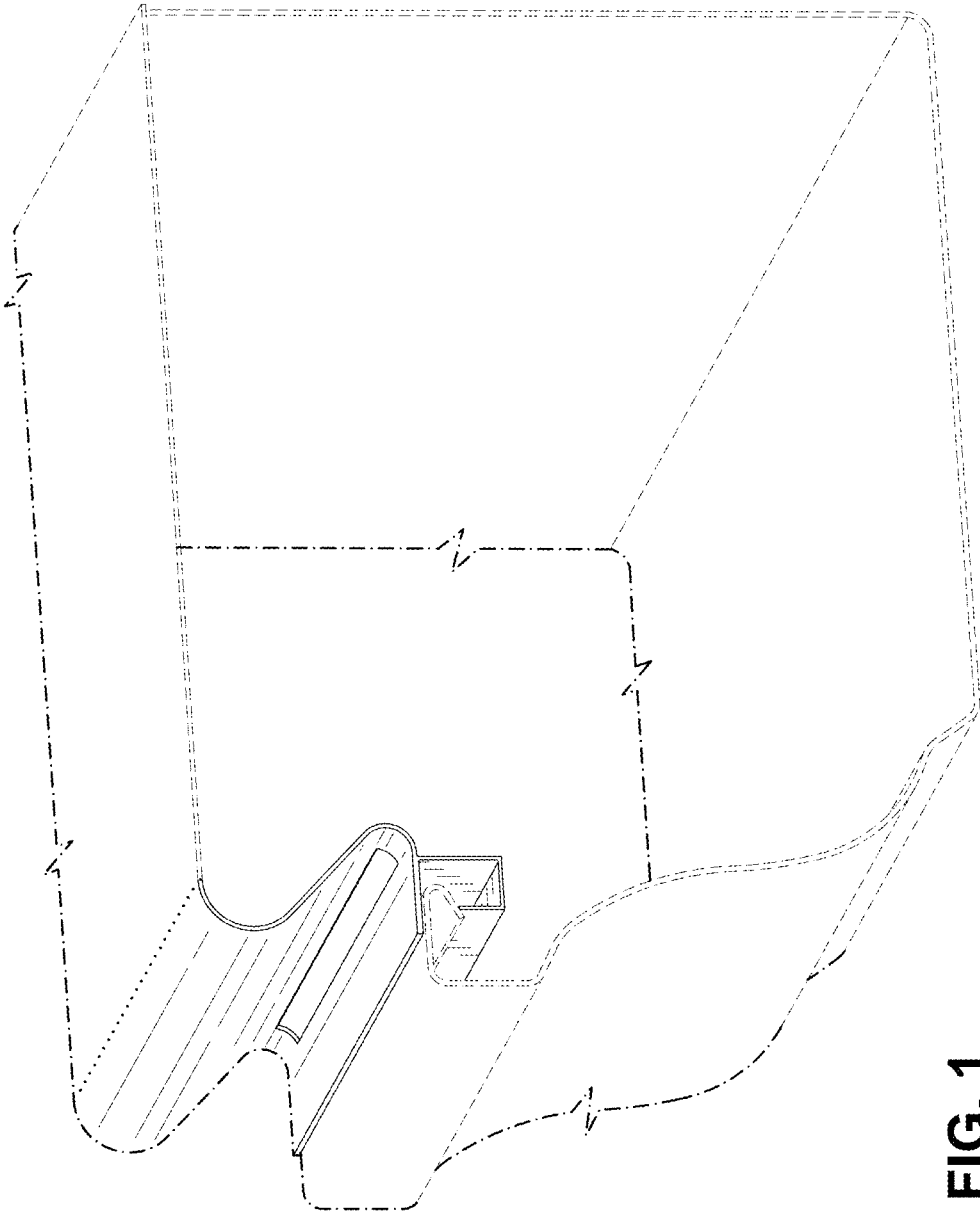
CA 3016527 A1 3/2019

CA 3023339 A1 5/2019

GB 2084210 A 4/1982

WO 2015/048116 4/2015

* cited by examiner



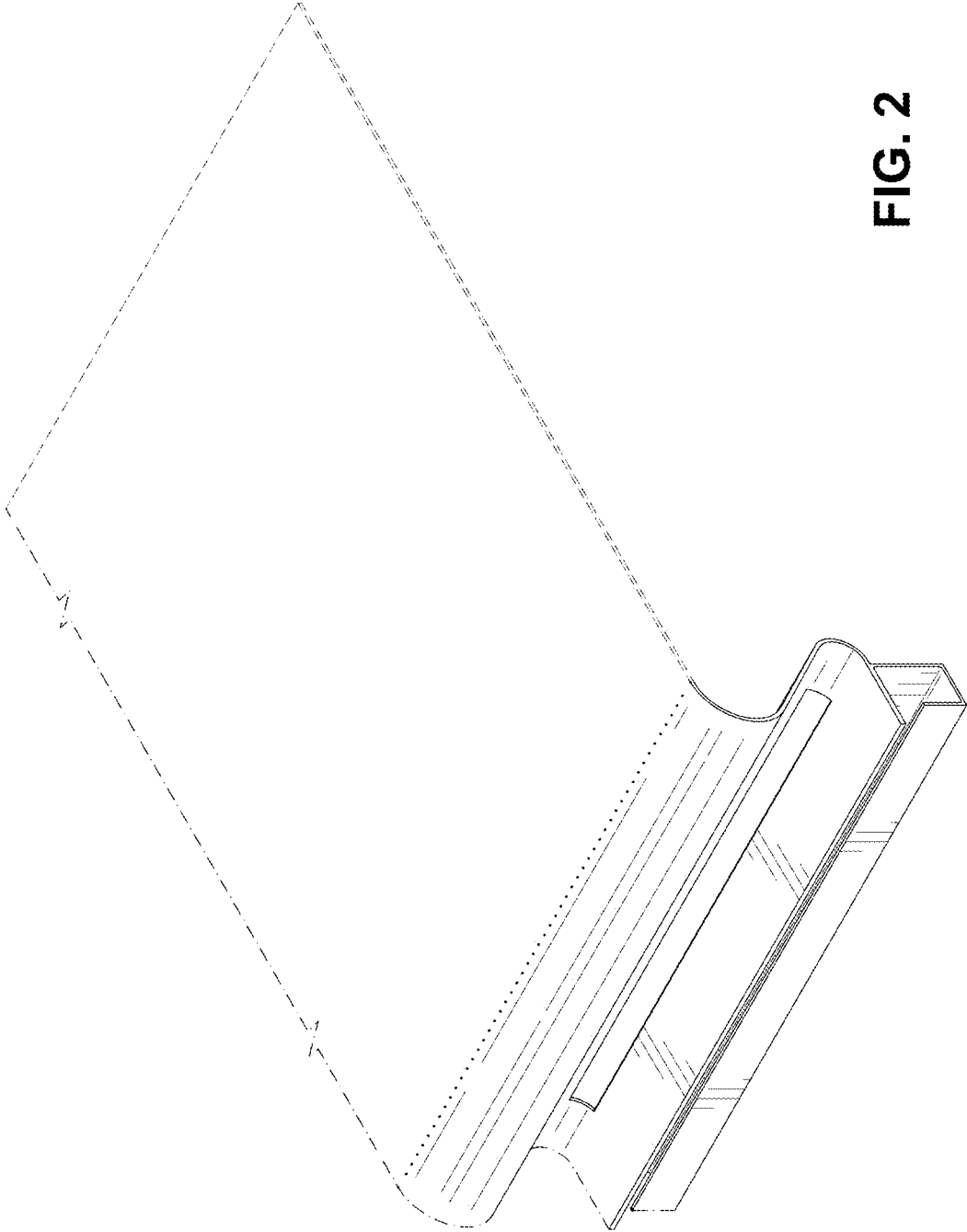


FIG. 2

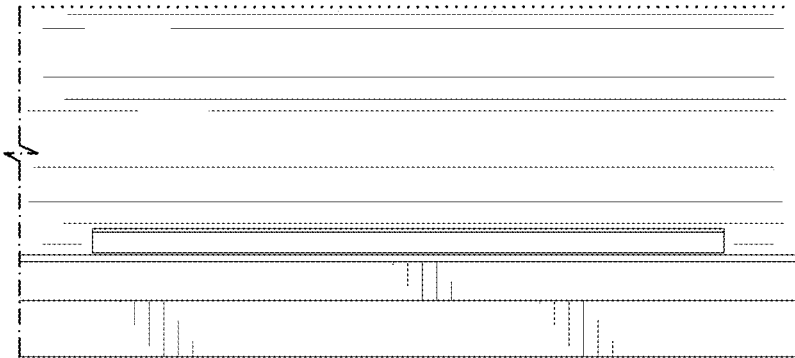


FIG. 3

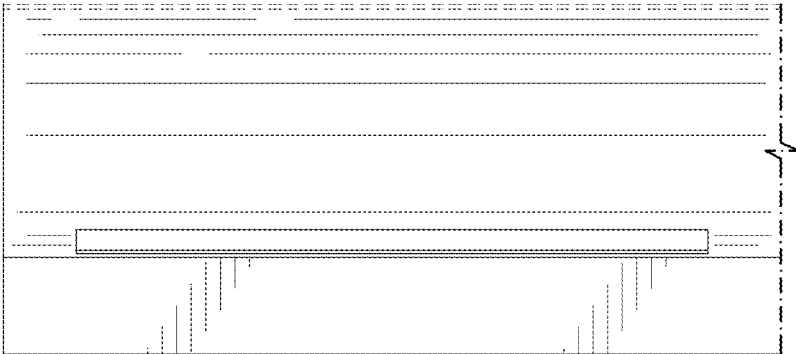


FIG. 4

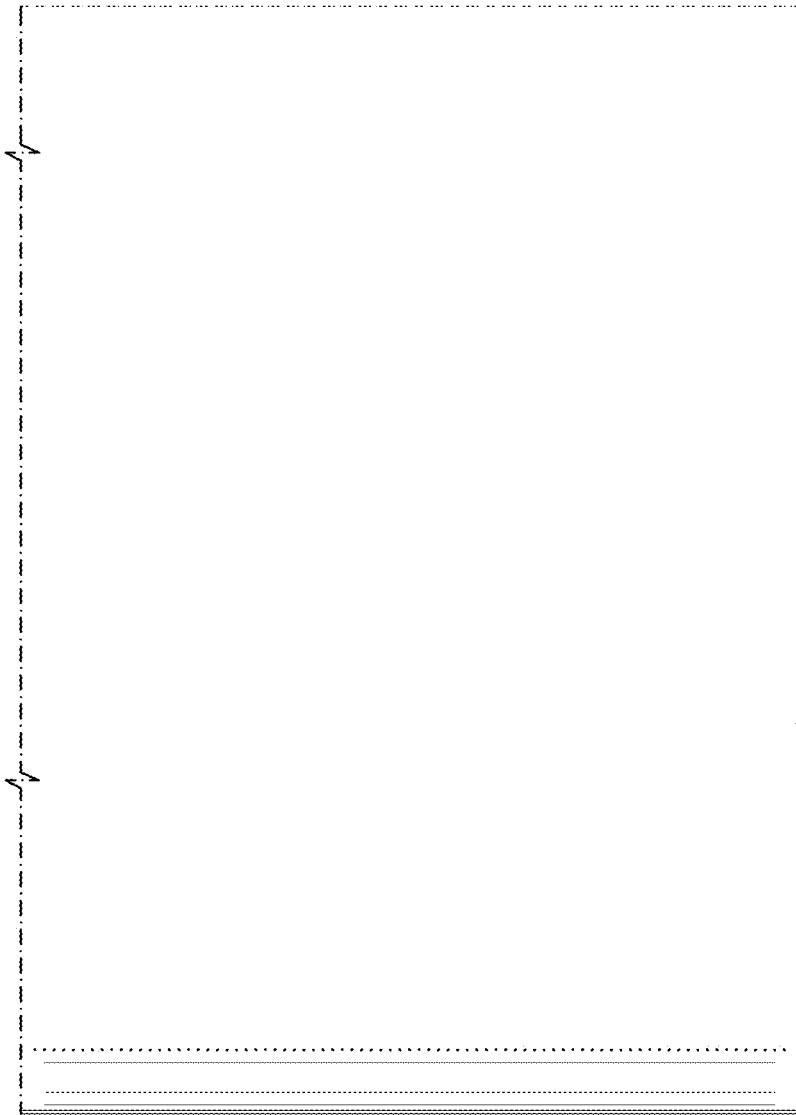


FIG. 5

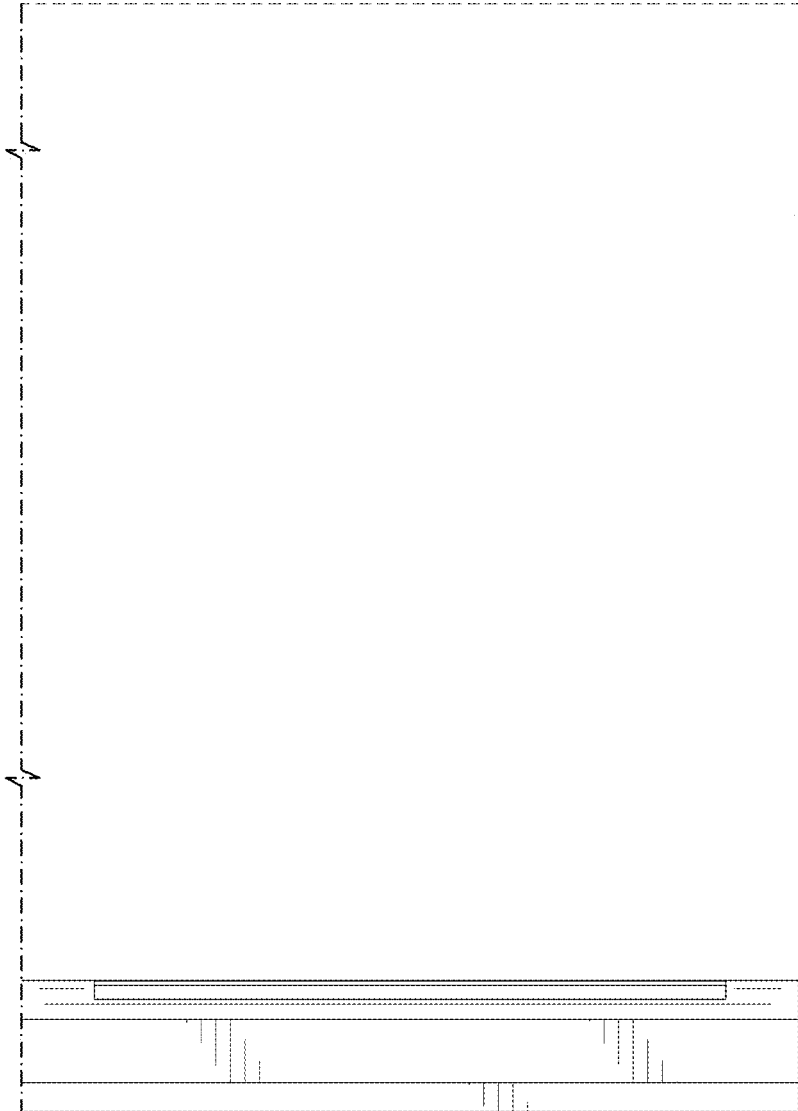


FIG. 6



FIG. 7

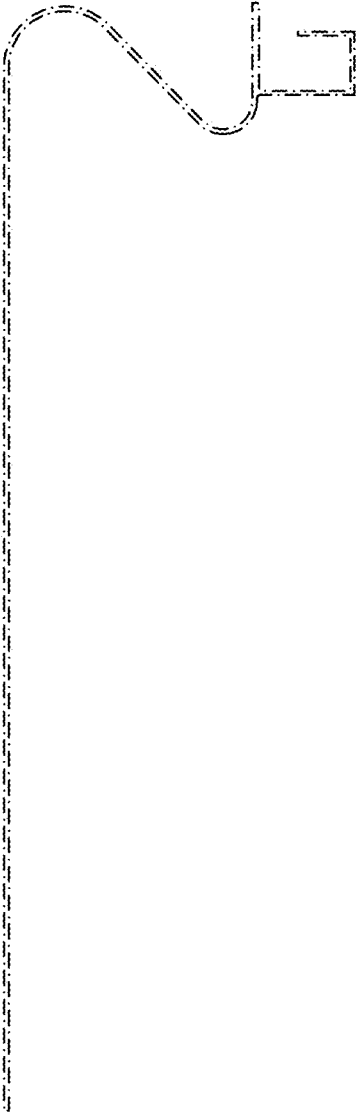


FIG. 8

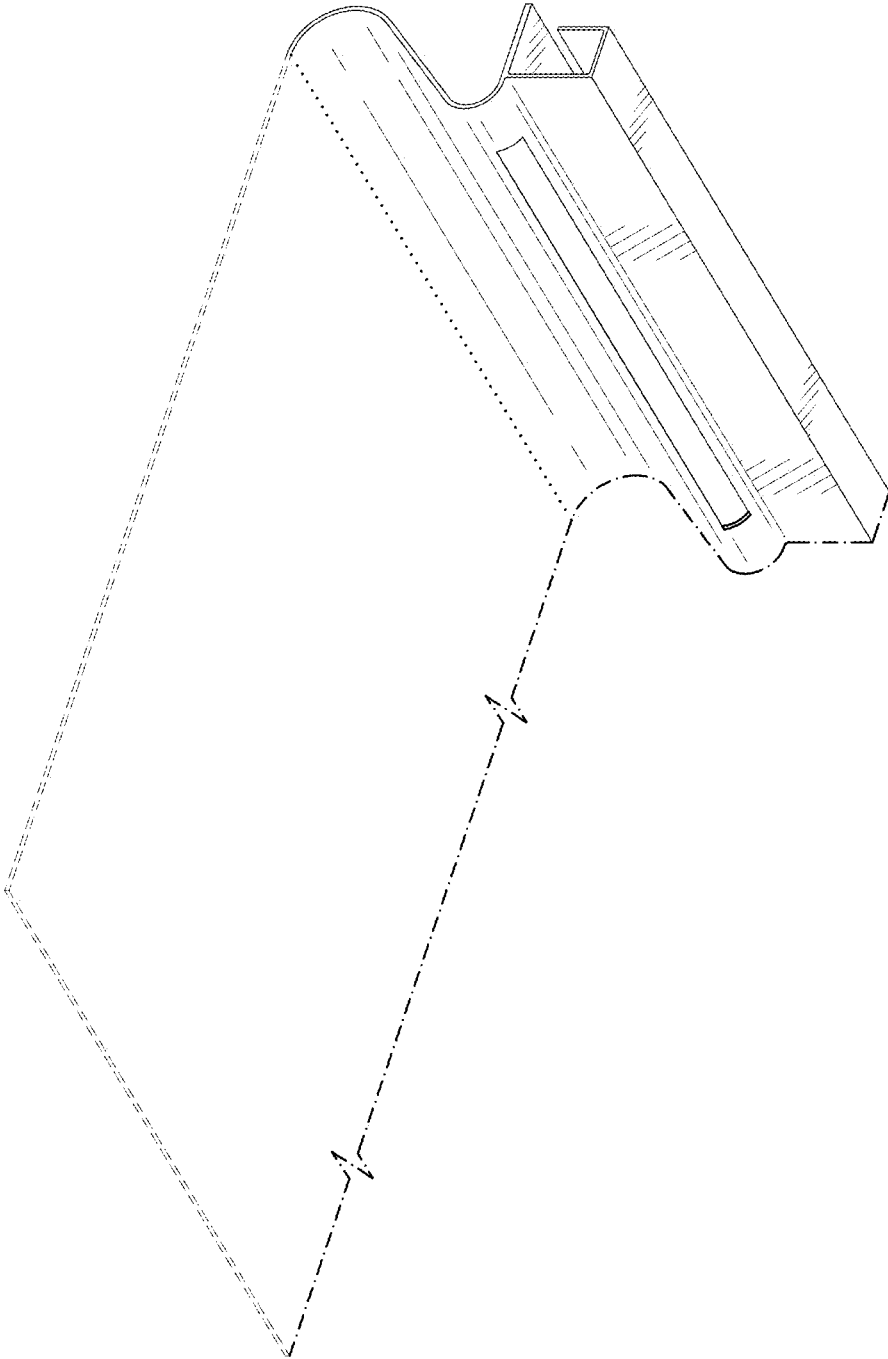


FIG. 9