



US00D488643S

(12) **United States Design Patent**
Birmingham

(10) **Patent No.:** **US D488,643 S**

(45) **Date of Patent:** **** Apr. 20, 2004**

- (54) **PORTABLE STORAGE UNIT**
- (75) **Inventor:** **Gerald Birmingham, Skiatook, OK (US)**
- (73) **Assignee:** **Front and Center Technologies, LLC, Tahlequah, OK (US)**
- (**) **Term:** **14 Years**
- (21) **Appl. No.:** **29/161,305**
- (22) **Filed:** **May 28, 2002**
- (51) **LOC (7) Cl.** **06-06**
- (52) **U.S. Cl.** **D6/469; D6/456; D6/457**
- (58) **Field of Search** **D6/396, 397, 411, D6/415, 455-469, 449; 108/59, 91-94; 211/11, 13.1, 85.1, 85.2, 85.4, 70, 78, 107, 131.1, 133.2, 163, 164, 181.1, 182**

2,856,254 A	10/1958	Paulos et al.	
2,911,107 A	11/1959	Francavillo	
2,936,901 A	5/1960	Siemantel	
2,976,099 A	3/1961	Morrison	
3,012,762 A	12/1961	Norris	
D225,870 S	1/1973	Morgison	
D320,141 S	* 9/1991	Farrell	D6/457 X
D323,931 S	* 2/1992	Haynes	D6/631
D333,928 S	* 3/1993	Santowski et al.	D6/456
6,056,132 A	* 5/2000	Becker et al.	211/164

* cited by examiner

Primary Examiner—Cathron C. Brooks
(74) *Attorney, Agent, or Firm*—Molly D. McKay

(57) **CLAIM**

The ornamental design for a protable storage unit, as shown and described.

DESCRIPTION

FIG. 1 is a perspective view of a portable storage unit constructed in accordance with a preferred embodiment of the present invention.

FIG. 2 is top plan view of the unit of FIG. 1.

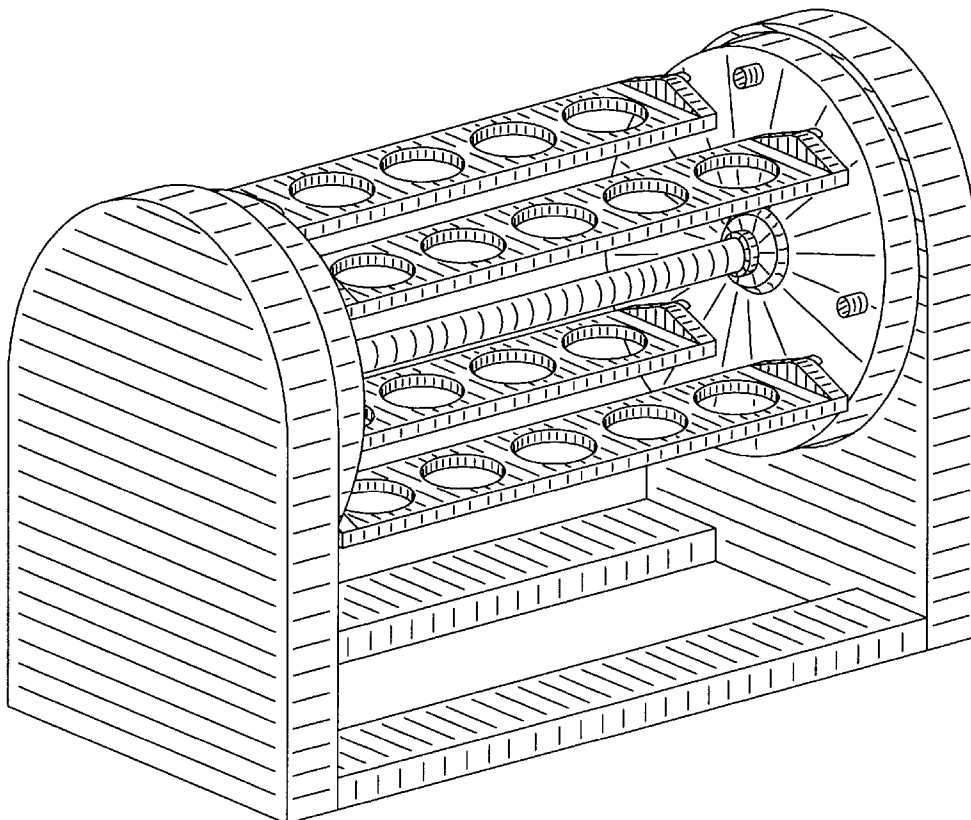
FIG. 3 is a side view of the unit of FIG. 1.

FIG. 4 is an end view of the unit of FIG. 1; and,

FIG. 5 is bottom plan view of the unit of FIG. 1.

- (56) **References Cited**
- U.S. PATENT DOCUMENTS**
- 253,290 A 2/1882 Hunter
- 425,215 A 4/1890 Franklin
- 570,322 A 10/1896 Mansfield
- 1,915,958 A 6/1933 Skirrow
- 2,743,982 A 5/1956 Stingl
- 2,743,983 A 5/1956 Stingl
- 2,853,353 A 9/1958 Scholfield

1 Claim, 2 Drawing Sheets



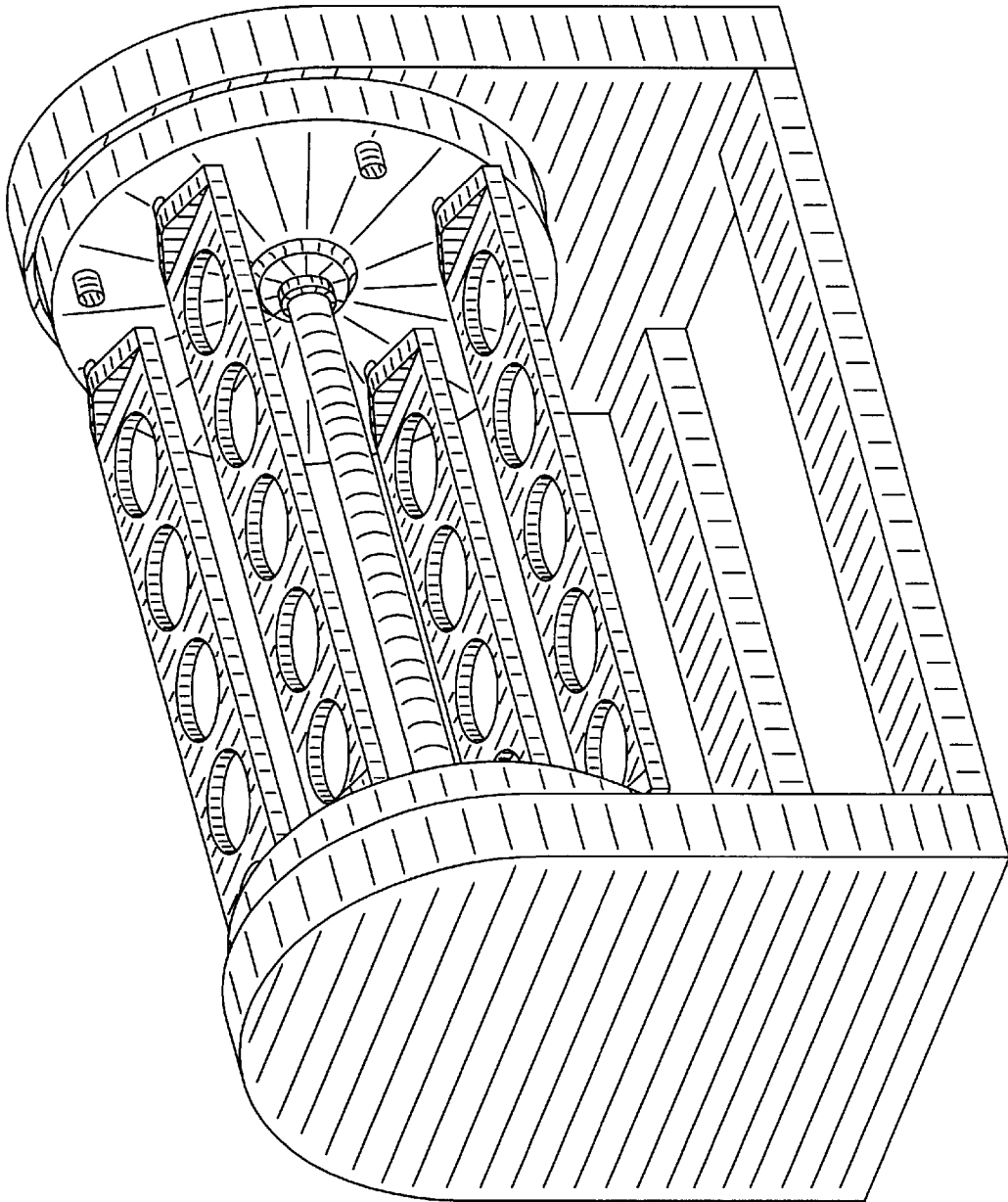


Fig. 1

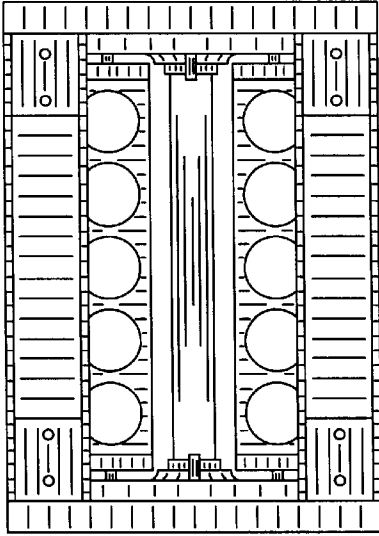


Fig. 5

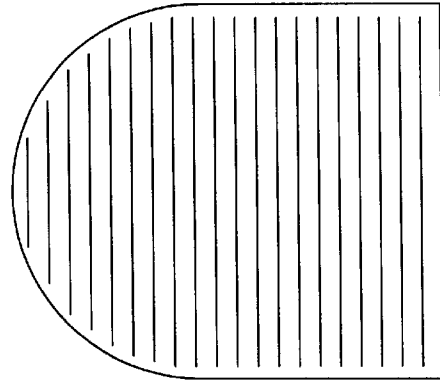


Fig. 4

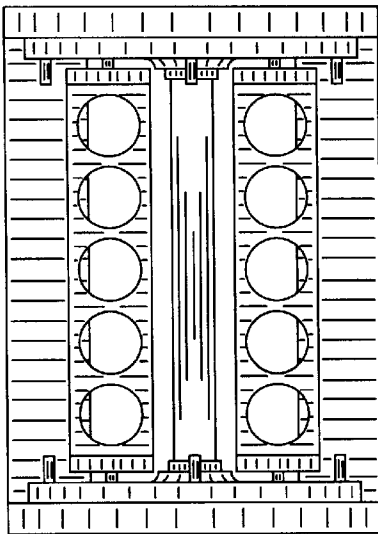


Fig. 2

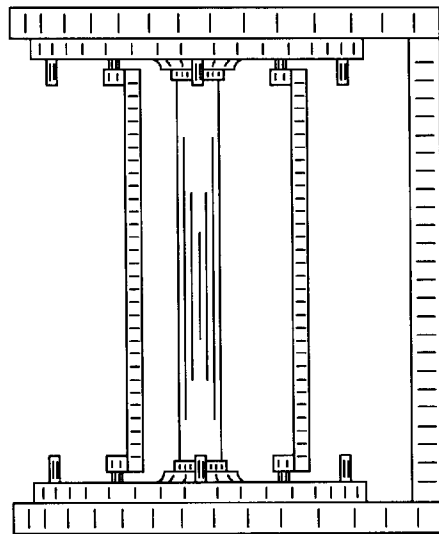


Fig. 3