



US00D343689S

United States Patent [19] Green

[11] Patent Number: Des. 343,689

[45] Date of Patent: ** Jan. 25, 1994

- [54] ALL TERRAIN FOLDING UMBRELLA BLIND
- [76] Inventor: **Stephen D. Green**, 3910 Weldon Dr., East Ridge, Tenn. 37412
- [**] Term: **14 Years**
- [21] Appl. No.: **953,589**
- [22] Filed: **Sep. 30, 1992**
- [52] U.S. Cl. **D25/16; D25/56; 135/16; D3/5**
- [58] Field of Search **D3/5; 135/95-96, 135/16; D25/1, 16, 14, 56**

4,836,231 6/1989 Peterson 135/98

FOREIGN PATENT DOCUMENTS

1326938 4/1963 France 135/16
 0669084 2/1989 Switzerland 135/16
 2196359 4/1988 United Kingdom 135/96

OTHER PUBLICATIONS

Bow Hunter's Porta-Blind.

Primary Examiner—A. Hugo Word
Assistant Examiner—CathyAnne MacCormac
Attorney, Agent, or Firm—Richard C. Litman

[56] References Cited

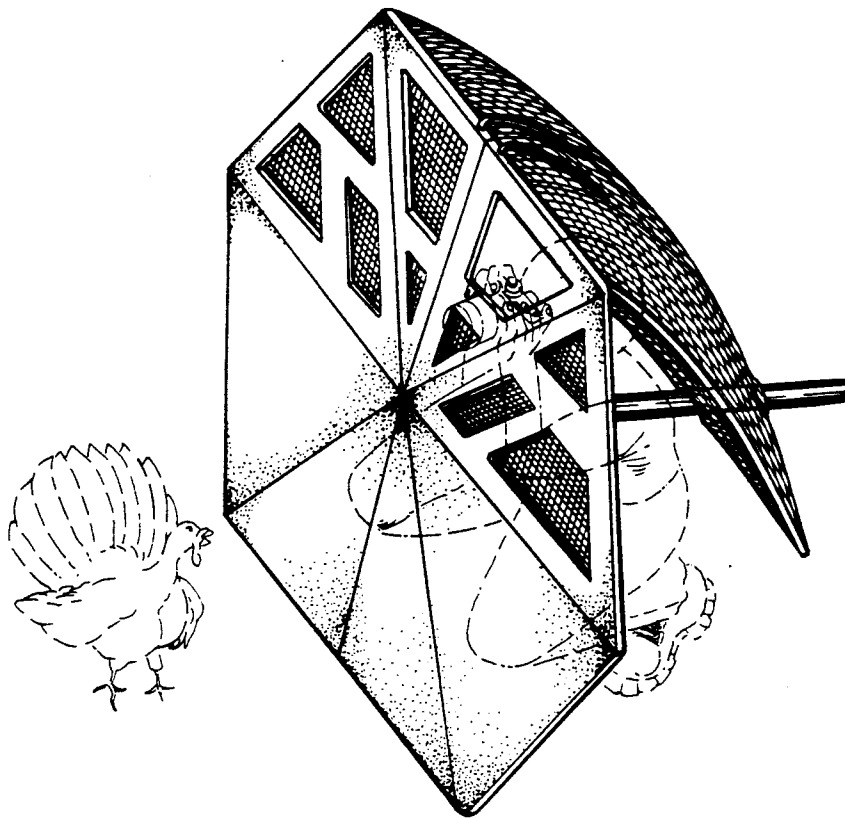
U.S. PATENT DOCUMENTS

D. 149,906	6/1948	Puls	D25/56
D. 183,486	9/1958	Goundie et al.	D25/56
D. 275,888	10/1984	Lauer et al.	D25/1
D. 306,762	3/1990	Aquino	D25/56
2,934,076	4/1960	Fulke	135/106
3,184,235	5/1965	Hilbrich	273/26 A
3,284,965	11/1966	Michenfelder	D25/56
3,374,798	3/1968	Samuelson	135/33.7
3,936,969	2/1976	Richard	D25/16
4,061,154	12/1977	Cox et al.	135/33.41
4,109,424	8/1978	Block	135/106
4,458,707	7/1984	Lindaman	135/16
4,677,796	7/1987	Mellott	52/82
4,711,260	12/1987	Weins et al.	135/16
4,813,442	3/1989	Haines	135/98

[57] **CLAIM**
 The ornamental design for an all terrain folding umbrella blind, as shown and described.

DESCRIPTION

FIG. 1 is a perspective view of an all terrain folding umbrella blind showing my new design, a portion of the screen has been removed for clarity of illustration; FIG. 2 is a front elevational view thereof; FIG. 3 is a rear elevational view thereof; FIG. 4 is a top plan view thereof; FIG. 5 is a bottom plan view thereof; and, FIG. 6 is a right side elevational view with the left side being a mirror image thereof. The broken line showing of a user and a fowl is for illustrative purposes only and forms no part of the claimed design.



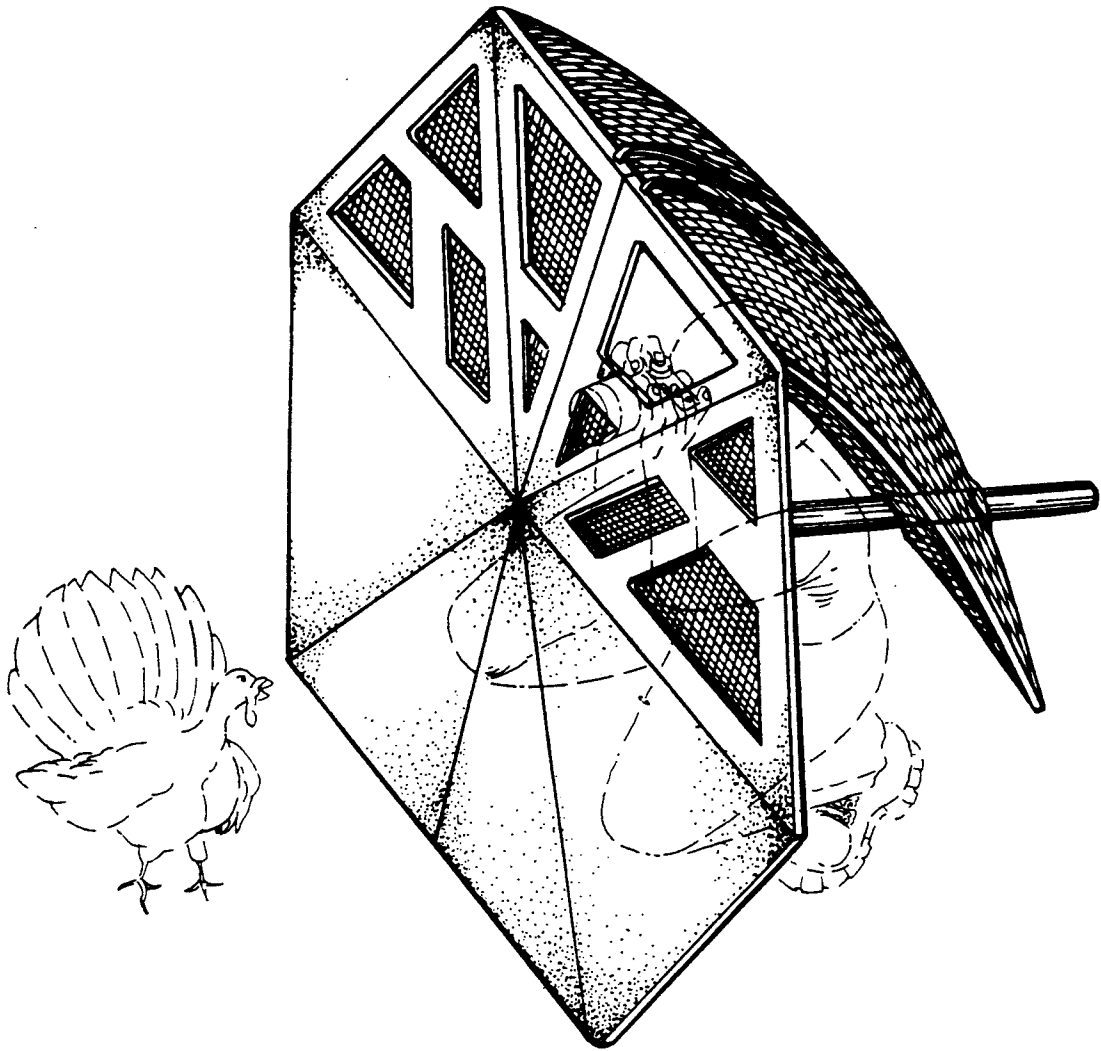


FIG. 1

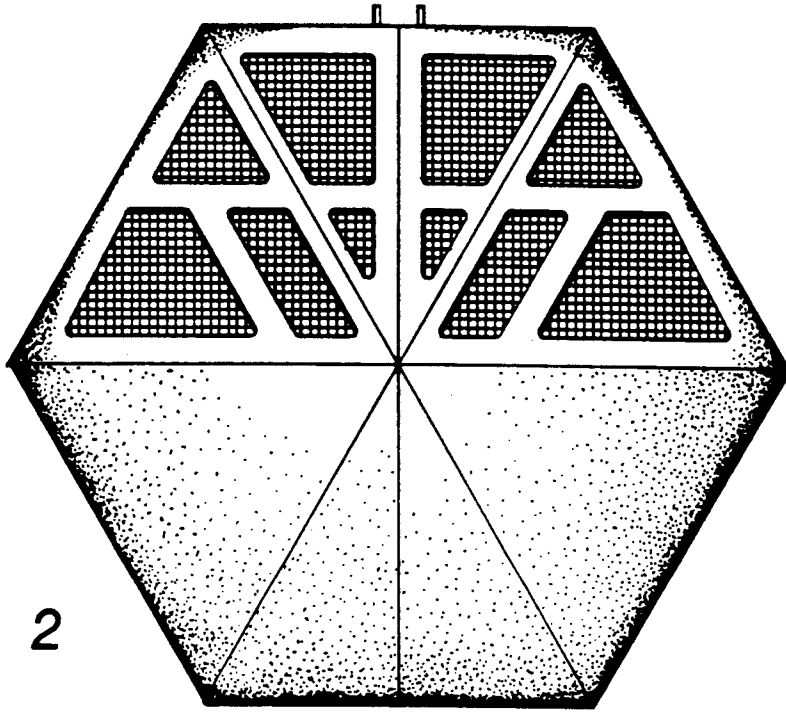


FIG. 2

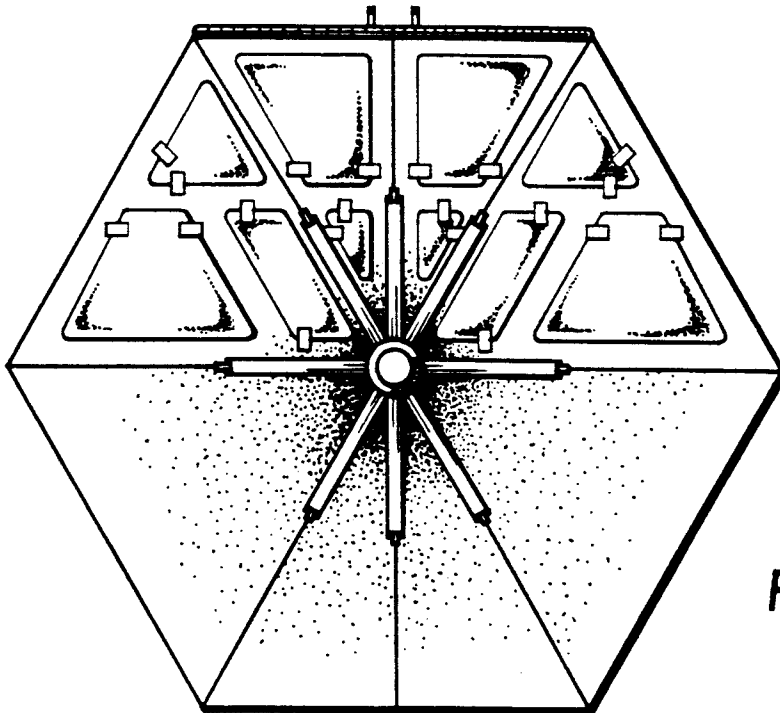


FIG. 3

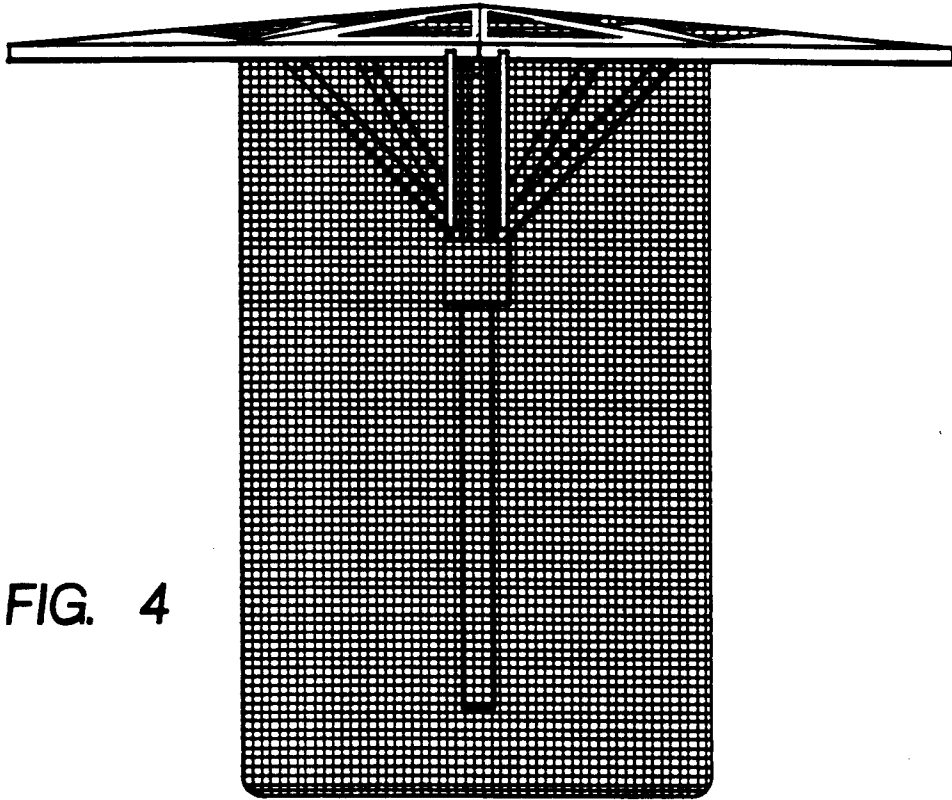


FIG. 4

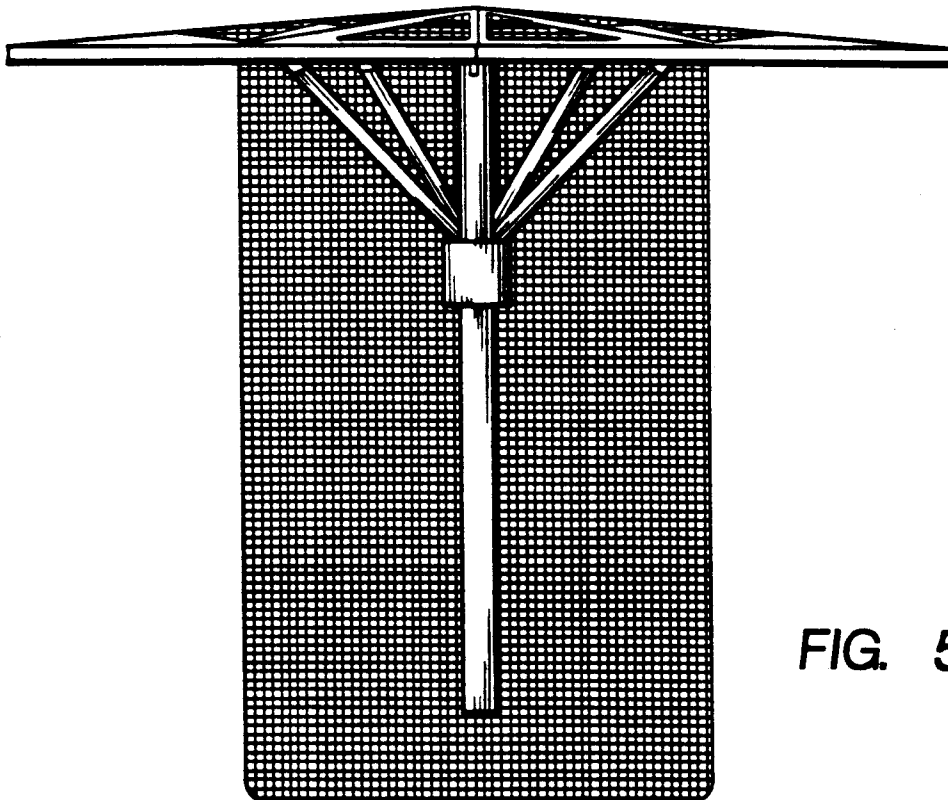


FIG. 5

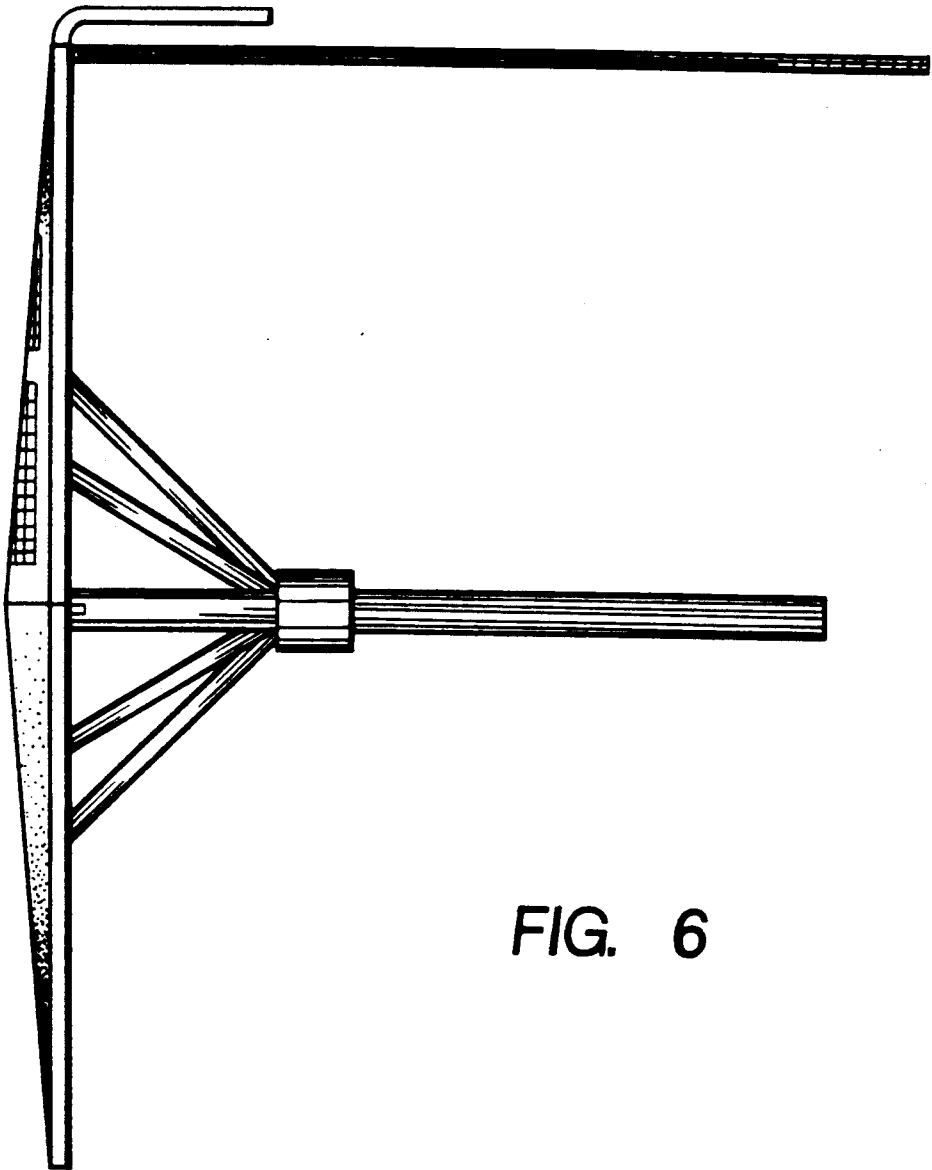


FIG. 6