

(19) World Intellectual Property Organization
International Bureau



(43) International Publication Date
23 November 2006 (23.11.2006)

PCT

(10) International Publication Number
WO 2006/124565 A3

(51) International Patent Classification:

H04Q 7/24 (2006.01) H04B 7/00 (2006.01)
H04Q 7/00 (2006.01) H04B 1/38 (2006.01)
H04J 3/00 (2006.01) H04M 1/00 (2006.01)
H04B 7/212 (2006.01)

(74) Agents: RYAN, Matthew, K. et al.; FROMMER, LAWRENCE & HAUG LLC, 745 Fifth Avenue, New York, NY 10151 (US).

(21) International Application Number:

PCT/US2006/018391

(22) International Filing Date: 12 May 2006 (12.05.2006)

(25) Filing Language: English

(26) Publication Language: English

(30) Priority Data:

60/681,088 13 May 2005 (13.05.2005) US

(81) Designated States (unless otherwise indicated, for every kind of national protection available): AE, AG, AL, AM, AT, AU, AZ, BA, BB, BG, BR, BW, BY, BZ, CA, CH, CN, CO, CR, CU, CZ, DE, DK, DM, DZ, EC, EE, EG, ES, FI, GB, GD, GE, GH, GM, HR, HU, ID, IL, IN, IS, JP, KE, KG, KM, KN, KP, KR, KZ, LC, LK, LR, LS, LT, LU, LV, LY, MA, MD, MG, MK, MN, MW, MX, MZ, NA, NG, NI, NO, NZ, OM, PG, PH, PL, PT, RO, RU, SC, SD, SE, SG, SK, SL, SM, SY, TJ, TM, TN, TR, TT, TZ, UA, UG, US, UZ, VC, VN, YU, ZA, ZM, ZW.

(71) Applicant (for all designated States except US): BURGER KING CORPORATION [US/US]; 5505 Blue Lagoon Drive, Miami, FL 33126 (US).

(84) Designated States (unless otherwise indicated, for every kind of regional protection available): ARIPO (BW, GH, GM, KE, LS, MW, MZ, NA, SD, SL, SZ, TZ, UG, ZM, ZW), Eurasian (AM, AZ, BY, KG, KZ, MD, RU, TJ, TM), European (AT, BE, BG, CH, CY, CZ, DE, DK, EE, ES, FI, FR, GB, GR, HU, IE, IS, IT, LT, LU, LV, MC, NL, PL, PT, RO, SE, SI, SK, TR), OAPI (BF, BJ, CF, CG, CI, CM, GA, GN, GQ, GW, ML, MR, NE, SN, TD, TG).

(72) Inventors; and

(75) Inventors/Applicants (for US only): TUGCU, Mehmet [US/US]; 1836 NW 97 Ave., Plantation, FL 33322 (US). COOK, Jeffrey, R. [CA/US]; 5040 NW 123rd Ave., Coral Springs, FL 33076 (US). RECKERT, John, R. [US/US]; 14778 SW 43rd Way, Miami, FL 33185 (US).

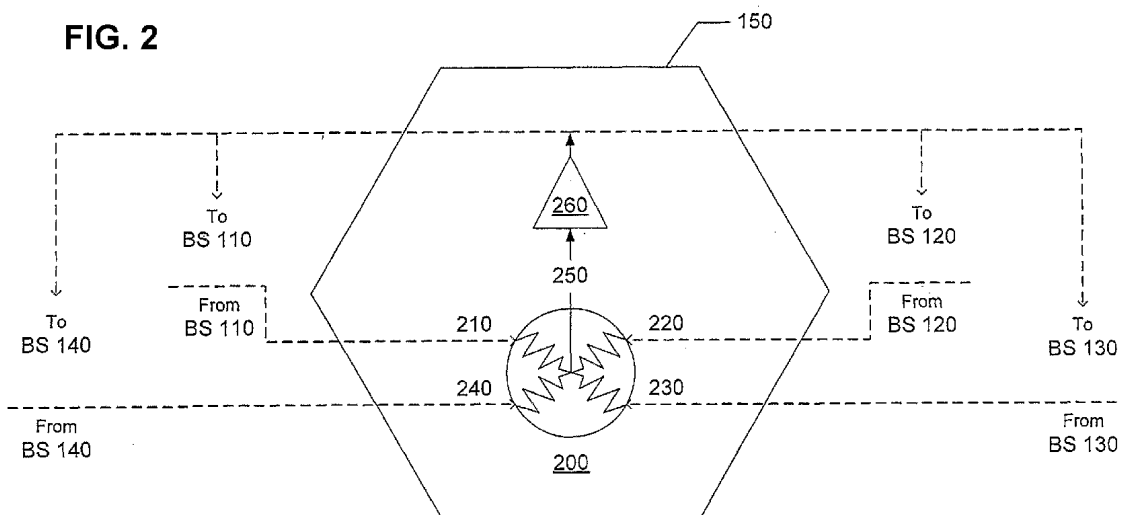
Published:

— with international search report

(88) Date of publication of the international search report: 9 April 2009

(54) Title: PROVIDING DISTRIBUTED WIDE AREA COVERAGE INFRASTRUCTURE USING BLUETOOTH SIGNAL COMBINER

FIG. 2



(57) Abstract: A distributed wide area coverage system is disclosed that effectively expands the coverage area of the local wireless links by combining the signals from local area base stations and routing the combined signal back to the base stations. The base stations provide two-way open wireless communication channels among mobile devices situated within wireless signal coverage area of each of the base stations.

WO 2006/124565 A3

INTERNATIONAL SEARCH REPORT

International application No.
PCT/US06/18391

A. CLASSIFICATION OF SUBJECT MATTER
 IPC: **H04Q 7/24(2006.01),7/00(2006.01);H04J 3/00(2006.01);H04B 7/212(2006.01),7/00(2006.01),1/38(2006.01);H04M 1/00(2006.01)**

 USPC: 370/338,328,336,337;455/41.2,561,554.2
 According to International Patent Classification (IPC) or to both national classification and IPC

B. FIELDS SEARCHED

Minimum documentation searched (classification system followed by classification symbols)
 U.S. : 370/338, 328, 336, 337; 455/41.2, 561, 554.2

Documentation searched other than minimum documentation to the extent that such documents are included in the fields searched

Electronic data base consulted during the international search (name of data base and, where practicable, search terms used)
 EASTImage and Keyword Search in USPAT, US-PGPUB, DERWENT, EPO, JPO, IBM_TDB

C. DOCUMENTS CONSIDERED TO BE RELEVANT

Category *	Citation of document, with indication, where appropriate, of the relevant passages	Relevant to claim No.
Y	US PGPUB 2003/0053524 A1 (Dent) 20 March 2003 (20.03.2003), figures 1, 3, paragraphs 14, 15, 23, 24, 57	1-18
Y	US PGPUB 2004/0001468 A1 (Bichot et al) 01 January 2004 (01.01.2004), paragraphs 14, 16	1-18
Y	US PGPUB 2004/0214597 A1 (Suryanarayana et al) 28 October 2004 (28.10.2004), paragraphs 6, 26, 29	8, 16

Further documents are listed in the continuation of Box C. See patent family annex.

* Special categories of cited documents:	"T"
"A" document defining the general state of the art which is not considered to be of particular relevance	later document published after the international filing date or priority date and not in conflict with the application but cited to understand the principle or theory underlying the invention
"E" earlier application or patent published on or after the international filing date	"X" document of particular relevance; the claimed invention cannot be considered novel or cannot be considered to involve an inventive step when the document is taken alone
"L" document which may throw doubts on priority claim(s) or which is cited to establish the publication date of another citation or other special reason (as specified)	"Y" document of particular relevance; the claimed invention cannot be considered to involve an inventive step when the document is combined with one or more other such documents, such combination being obvious to a person skilled in the art
"O" document referring to an oral disclosure, use, exhibition or other means	"&" document member of the same patent family
"P" document published prior to the international filing date but later than the priority date claimed	

Date of the actual completion of the international search 05 June 2008 (05.06.2008)	Date of mailing of the international search report 25 JUN 2008
--	--

Name and mailing address of the ISA/US Mail Stop PCT, Attn: ISA/US Commissioner for Patents P.O. Box 1450 Alexandria, Virginia 22313-1450 Facsimile No. (571) 273-3201	Authorized officer George Eng Telephone No. (571) 272-2000
---	--