

(19) World Intellectual Property Organization  
International Bureau



(43) International Publication Date  
5 November 2009 (05.11.2009)

(10) International Publication Number  
**WO 2009/134795 A3**

(51) International Patent Classification:  
*B29C 63/10* (2006.01)

(21) International Application Number:  
PCT/US2009/041968

(22) International Filing Date:  
28 April 2009 (28.04.2009)

(25) Filing Language: English

(26) Publication Language: English

(30) Priority Data:  
1020080223360 29 April 2008 (29.04.2008) DE

(71) Applicant (for all designated States except US):  
NEWFREY LLC [US/US]; 1207 Drummond Plaza,  
Newark, DE 19711 (US).

(72) Inventors; and

(75) Inventors/Applicants (for US only): SCHAETY, Harald [DE/DE]; Schoene Ausscht 6a, 35578 Wetzlar (DE). STIGLER, Mario [DE/DE]; Kiferweg 3, 35641 Schoeffengrund (DE). SENG, Hans-Peter [DE/DE]; Steingasse 5, 35447 Reiskirchen (DE). GERLACH, Wolfgang [DE/DE]; Dreispitz 43, 35444 Biebertal (DE).

(74) Agent: VALANCIUS, Stephen, R.; The Black & Decker Corporation, 701 East Joppa Road, Towson, MD 21286 (US).

(81) Designated States (unless otherwise indicated, for every kind of national protection available): AE, AG, AL, AM,

AO, AT, AU, AZ, BA, BB, BG, BH, BR, BW, BY, BZ, CA, CH, CN, CO, CR, CU, CZ, DE, DK, DM, DO, DZ, EC, EE, EG, ES, FI, GB, GD, GE, GH, GM, GT, HN, HR, HU, ID, IL, IN, IS, JP, KE, KG, KM, KN, KP, KR, KZ, LA, LC, LK, LR, LS, LT, LU, LY, MA, MD, ME, MG, MK, MN, MW, MX, MY, MZ, NA, NG, NI, NO, NZ, OM, PG, PH, PL, PT, RO, RS, RU, SC, SD, SE, SG, SK, SL, SM, ST, SV, SY, TJ, TM, TN, TR, TT, TZ, UA, UG, US, UZ, VC, VN, ZA, ZM, ZW.

(84) Designated States (unless otherwise indicated, for every kind of regional protection available): ARIPO (BW, GH, GM, KE, LS, MW, MZ, NA, SD, SL, SZ, TZ, UG, ZM, ZW), Eurasian (AM, AZ, BY, KG, KZ, MD, RU, TJ, TM), European (AT, BE, BG, CH, CY, CZ, DE, DK, EE, ES, FI, FR, GB, GR, HR, HU, IE, IS, IT, LT, LU, LV, MC, MK, MT, NL, NO, PL, PT, RO, SE, SI, SK, TR), OAPI (BF, BJ, CF, CG, CI, CM, GA, GN, GQ, GW, ML, MR, NE, SN, TD, TG).

Declarations under Rule 4.17:

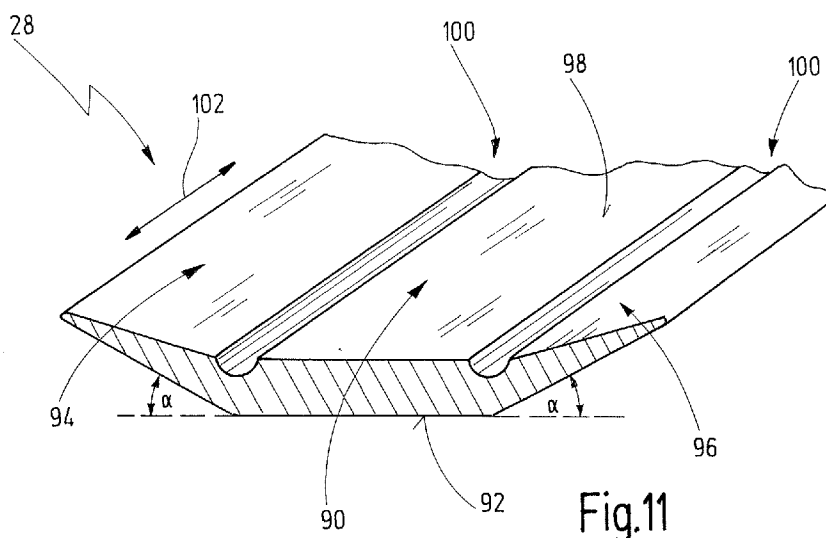
— as to applicant's entitlement to apply for and be granted a patent (Rule 4.17(ii))

Published:

— with international search report (Art. 21(3))

(88) Date of publication of the international search report:  
18 March 2010

(54) Title: WRAPPING TAPE FOR AUTOMATICALLY WRAPPING CABLE LOOMS



(57) Abstract: The present invention relates to a system and method for automatically wrapping axially extending articles. The invention is particularly used in the field of manufacturing cable harnesses for the automotive industry. For that purpose a device is proposed which can, for example, fix clips to a cable harness at a predetermined circumferential position by means of a wrapping tape.



WO 2009/134795 A3

## INTERNATIONAL SEARCH REPORT

International application No.

PCT/US 09/41968

<b>A. CLASSIFICATION OF SUBJECT MATTER</b> IPC(8) - B29C 63/10 (2009.01) USPC - 156/187 According to International Patent Classification (IPC) or to both national classification and IPC		
<b>B. FIELDS SEARCHED</b> Minimum documentation searched (classification system followed by classification symbols) USPC: 156/187 Documentation searched other than minimum documentation to the extent that such documents are included in the fields searched USPC: 156/184-187; 242/570,600; 442/327,381,382 (text search - see terms below) Electronic data base consulted during the international search (name of data base and, where practicable, search terms used) PubWEST(USPT,PGPB,EPAB,JPAB); Google Scholar, Dialog Web (DB:344, 347, 348, 349, 371, 654, 345, 351, 65, 35, 2) Search Terms: weld, tensile, plastic, constricted, join, tab, wrap, tape, cable harness, cable loom, circumferentially, axial, automatic, automobile, car		
<b>C. DOCUMENTS CONSIDERED TO BE RELEVANT</b>		
Category*	Citation of document, with indication, where appropriate, of the relevant passages	Relevant to claim No.
Y	US 2007/0181244 A1 (BILLING et al.) 09 August 2007 (09.08.2007), entire document, especially; para [0001], [0036].	1-3
Y	US 7,207,529 B2 (ROSEMAN et al.) 24 April 2007 (24.04.2007), entire document, especially; col 1, ln 20-37, col 3 ln 63 to col 4, ln 19, col 4, ln 39-61.	1-3
A	US 2007/0071976 A1 (WAHLERS-SCHMIDLIN et al.) 29 March 2007 (29.03.2007), entire document.	1-3
A	US 4,502,905 A (JUNG et al.) 05 March 1985 (05.03.1985), entire document.	1-3
A	US 2005/0000627 A1 (WEINBERG) 06 January 2005 (06.01.2005), entire document.	1-3
<input type="checkbox"/> Further documents are listed in the continuation of Box C. <input type="checkbox"/>		
* Special categories of cited documents: "A" document defining the general state of the art which is not considered to be of particular relevance "E" earlier application or patent but published on or after the international filing date "L" document which may throw doubts on priority claim(s) or which is cited to establish the publication date of another citation or other special reason (as specified) "O" document referring to an oral disclosure, use, exhibition or other means "P" document published prior to the international filing date but later than the priority date claimed "T" later document published after the international filing date or priority date and not in conflict with the application but cited to understand the principle or theory underlying the invention "X" document of particular relevance; the claimed invention cannot be considered novel or cannot be considered to involve an inventive step when the document is taken alone "Y" document of particular relevance; the claimed invention cannot be considered to involve an inventive step when the document is combined with one or more other such documents, such combination being obvious to a person skilled in the art "&" document member of the same patent family		
Date of the actual completion of the international search 18 December 2009 (18.12.2009)		Date of mailing of the international search report <b>28 DEC 2009</b>
Name and mailing address of the ISA/US Mail Stop PCT, Attn: ISA/US, Commissioner for Patents P.O. Box 1450, Alexandria, Virginia 22313-1450 Facsimile No. 571-273-3201		Authorized officer: Lee W. Young PCT Helpdesk: 571-272-4300 PCT OSP: 571-272-7774

## INTERNATIONAL SEARCH REPORT

International application No.

PCT/US 09/41968

**Box No. II Observations where certain claims were found unsearchable (Continuation of item 2 of first sheet)**

This international search report has not been established in respect of certain claims under Article 17(2)(a) for the following reasons:

1.  Claims Nos.:  
because they relate to subject matter not required to be searched by this Authority, namely:
  
2.  Claims Nos.:  
because they relate to parts of the international application that do not comply with the prescribed requirements to such an extent that no meaningful international search can be carried out, specifically:
  
3.  Claims Nos.: 4-10  
because they are dependent claims and are not drafted in accordance with the second and third sentences of Rule 6.4(a).

**Box No. III Observations where unity of invention is lacking (Continuation of item 3 of first sheet)**

This International Searching Authority found multiple inventions in this international application, as follows:

1.  As all required additional search fees were timely paid by the applicant, this international search report covers all searchable claims.
2.  As all searchable claims could be searched without effort justifying additional fees, this Authority did not invite payment of additional fees.
3.  As only some of the required additional search fees were timely paid by the applicant, this international search report covers only those claims for which fees were paid, specifically claims Nos.:
  
4.  No required additional search fees were timely paid by the applicant. Consequently, this international search report is restricted to the invention first mentioned in the claims; it is covered by claims Nos.:

**Remark on Protest**

- The additional search fees were accompanied by the applicant's protest and, where applicable, the payment of a protest fee.
- The additional search fees were accompanied by the applicant's protest but the applicable protest fee was not paid within the time limit specified in the invitation.
- No protest accompanied the payment of additional search fees.