



US00D730769S

(12) **United States Design Patent**
Rodriguez

(10) **Patent No.:** **US D730,769 S**
(45) **Date of Patent:** **** Jun. 2, 2015**

(54) **CORNER FLOWER POT CONTAINER**

(56) **References Cited**

(71) Applicant: **Manuel M Rodriguez**, Carnaxide (PT)

U.S. PATENT DOCUMENTS

(72) Inventor: **Manuel M Rodriguez**, Carnaxide (PT)

D284,320	S	*	6/1986	Kubic et al.	D34/1
D297,601	S	*	9/1988	Grossman et al.	D6/556
D308,076	S	*	5/1990	Gecchelin	D19/85
D501,886	S	*	2/2005	Chen et al.	D19/85
D547,805	S	*	7/2007	Killinger et al.	D19/85
D573,917	S	*	7/2008	Bigoski	D11/143
D579,374	S	*	10/2008	Boyette et al.	D6/556
D586,972	S	*	2/2009	Yang et al.	D34/7
D665,844	S	*	8/2012	Chuang	D19/77
D691,390	S	*	10/2013	Cunningham et al.	D6/556
2013/0118074	A1	*	5/2013	Fulbrook	47/62 N

(73) Assignee: **QUIZCAMP—FABRICO E
COMERCIO DE PRODUTOS
ALIMENTARES, S.A.**, Lisboa (PT)

(**) Term: **14 Years**

* cited by examiner

(21) Appl. No.: **29/450,458**

(22) Filed: **Mar. 18, 2013**

Primary Examiner — Robert M Spear

Assistant Examiner — Marissa J Cash

(30) **Foreign Application Priority Data**

(74) *Attorney, Agent, or Firm* — Baker and Rannells, PA

Sep. 17, 2012 (EM) 002104422-001

(51) **LOC (10) Cl.** **11-02**

(57) **CLAIM**

The ornamental design for a corner flower pot container, as shown and described.

(52) **U.S. Cl.**

DESCRIPTION

USPC **D11/143**

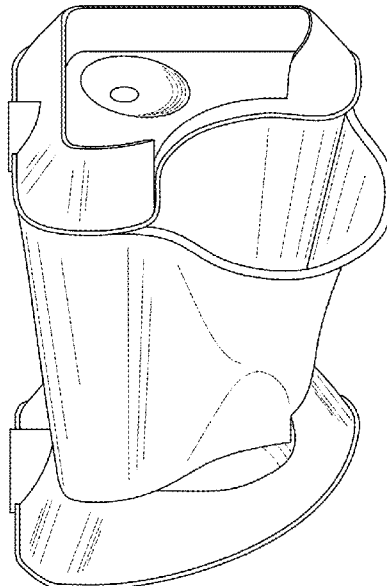
(58) **Field of Classification Search**

FIG. 1 is a front elevational view of the object of the new design;
FIG. 2 a side elevation view thereof;
FIG. 3 is a rear elevational view thereof;
FIG. 4 is a bottom plan view thereof;
FIG. 5 is a top plan view thereof;
FIG. 6 is a perspective view thereof; and,
FIG. 7 is an exploded view thereof.
Elements shown in broken lines do not constitute required part of the claimed design.

USPC D6/300, 306, 403-405, 556-558;
D7/300, 500, 509; D8/1;
D11/143-156, 164; D25/100;
D26/9-11, 16, 19; D34/1, 2, 4-6;
D99/5, 19; 47/17, 32.4, 32.5, 32.7, 33,
47/39, 41.01, 41.1, 41.11-41.15, 44-46,
47/62, 63, 65.5, 65.9, 66.1, 66.2, 66.6,
47/66.7, 67-71

See application file for complete search history.

1 Claim, 7 Drawing Sheets



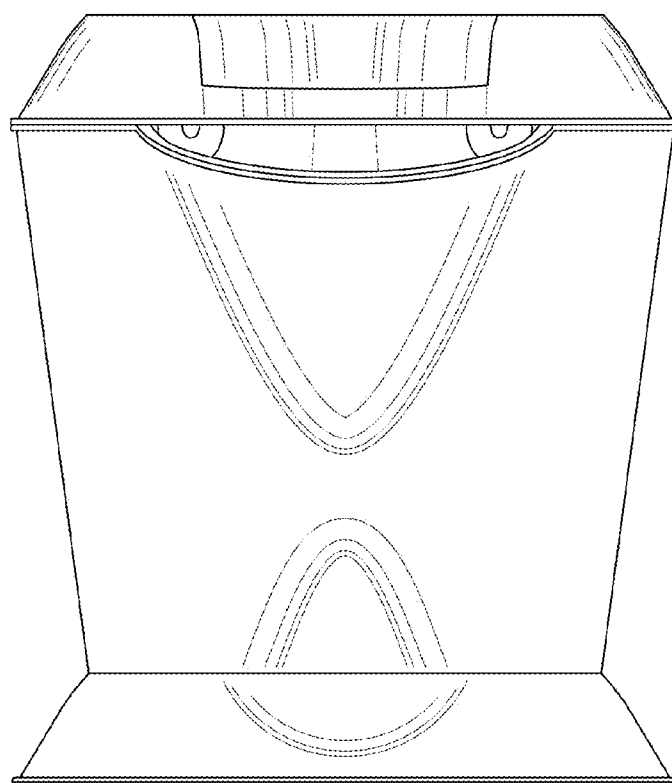


Fig. 1

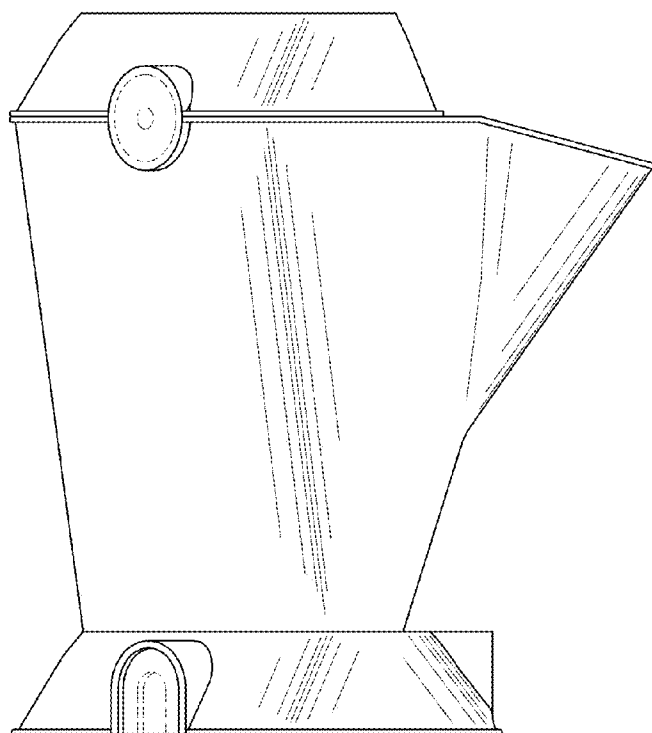


Fig. 2

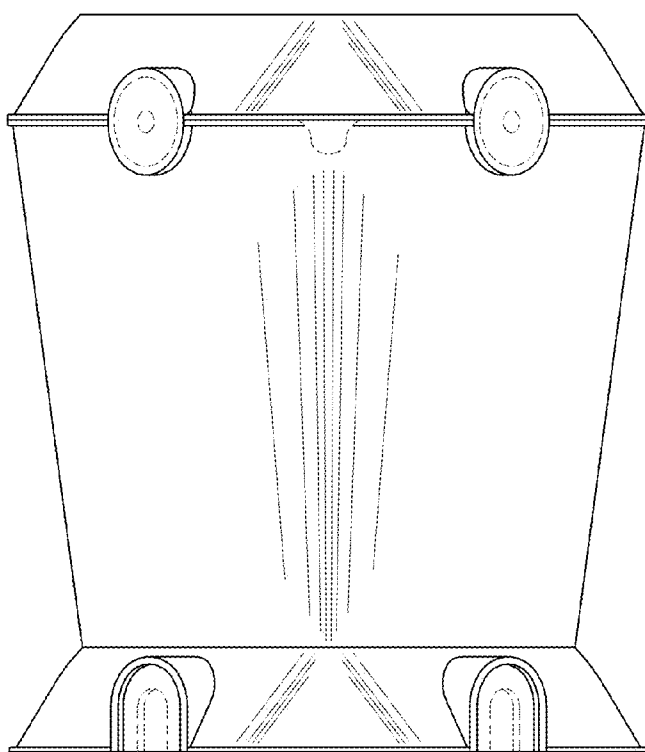


Fig. 3

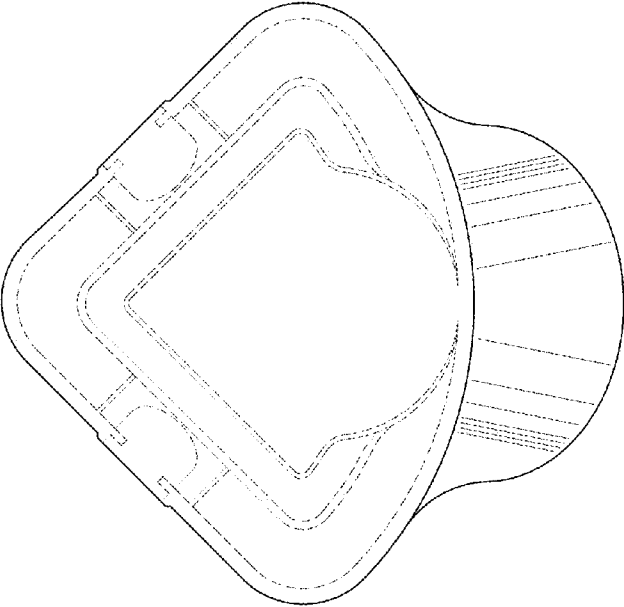


Fig. 4

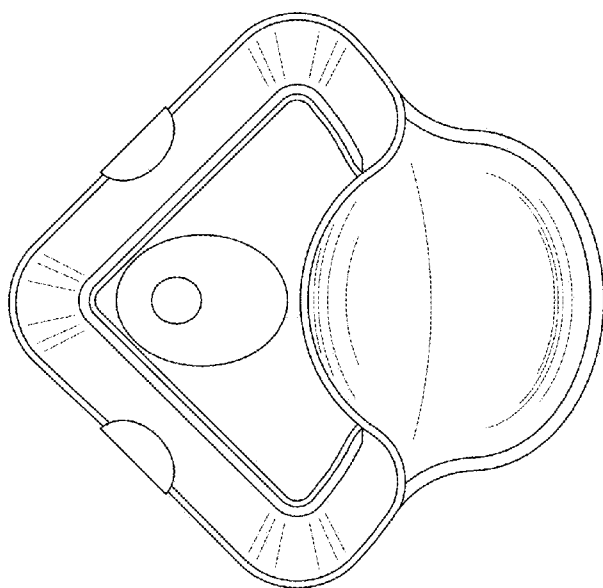


Fig. 5

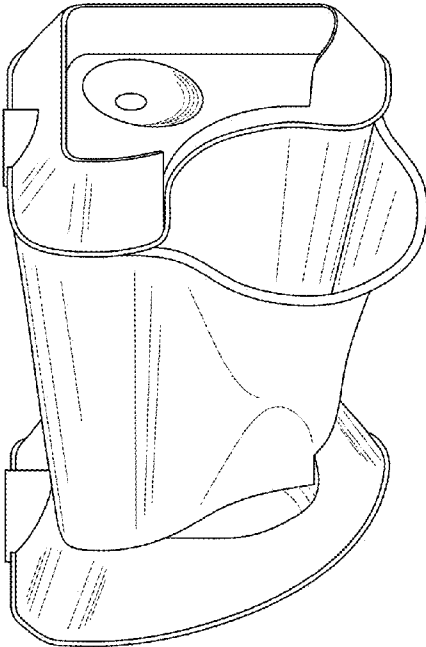


Fig. 6

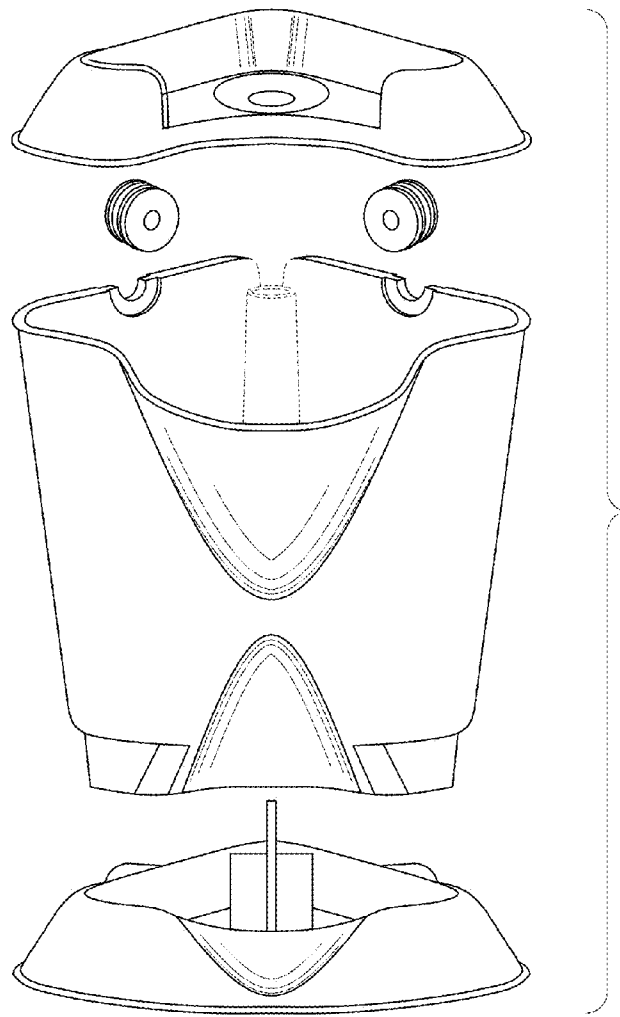


Fig. 7