

(19) World Intellectual Property Organization  
International Bureau



(43) International Publication Date  
4 February 2010 (04.02.2010)

(10) International Publication Number  
**WO 2010/013025 A3**

(51) International Patent Classification:  
*F03D 1/06* (2006.01)

(21) International Application Number:  
PCT/GB2009/050749

(22) International Filing Date:  
26 June 2009 (26.06.2009)

(25) Filing Language: English

(26) Publication Language: English

(30) Priority Data:  
0814108.7 1 August 2008 (01.08.2008) GB  
12/231,610 3 September 2008 (03.09.2008) US

(71) Applicant (for all designated States except US): **VES-TAS WIND SYSTEMS A/S** [DK/DK]; Alsvej 21, DK-8900 Randers (DK).

(72) Inventors; and

(75) Inventors/Applicants (for US only): **VRONSKY, Tomas** [CZ/GB]; 13 Church Road, Woolston, Southampton, Hampshire SO19 9FR (GB). **HANCOCK, Mark** [GB/GB]; 6 Bridlington Avenue, Southampton, Hampshire SO15 5HN (GB).

(74) Agents: **RAWLINS, Kate Cecilia** et al.; Chapman Molony, 20 Staple Gardens, Winchester, Hampshire SO23 8SR (GB).

(81) Designated States (unless otherwise indicated, for every kind of national protection available): AE, AG, AL, AM,

AO, AT, AU, AZ, BA, BB, BG, BH, BR, BW, BY, BZ, CA, CH, CL, CN, CO, CR, CU, CZ, DE, DK, DM, DO, DZ, EC, EE, EG, ES, FI, GB, GD, GE, GH, GM, GT, HN, HR, HU, ID, IL, IN, IS, JP, KE, KG, KM, KN, KP, KR, KZ, LA, LC, LK, LR, LS, LT, LU, LY, MA, MD, ME, MG, MK, MN, MW, MX, MY, MZ, NA, NG, NI, NO, NZ, OM, PE, PG, PH, PL, PT, RO, RS, RU, SC, SD, SE, SG, SK, SL, SM, ST, SV, SY, TJ, TM, TN, TR, TT, TZ, UA, UG, US, UZ, VC, VN, ZA, ZM, ZW.

(84) Designated States (unless otherwise indicated, for every kind of regional protection available): ARIPO (BW, GH, GM, KE, LS, MW, MZ, NA, SD, SL, SZ, TZ, UG, ZM, ZW), Eurasian (AM, AZ, BY, KG, KZ, MD, RU, TJ, TM), European (AT, BE, BG, CH, CY, CZ, DE, DK, EE, ES, FI, FR, GB, GR, HR, HU, IE, IS, IT, LT, LU, LV, MC, MK, MT, NL, NO, PL, PT, RO, SE, SI, SK, TR), OAPI (BF, BJ, CF, CG, CI, CM, GA, GN, GQ, GW, ML, MR, NE, SN, TD, TG).

Published:

- with international search report (Art. 21(3))
- before the expiration of the time limit for amending the claims and to be republished in the event of receipt of amendments (Rule 48.2(h))

(88) Date of publication of the international search report:  
4 November 2010

(54) Title: SEGMENTED ROTOR BLADE EXTENSION PORTION

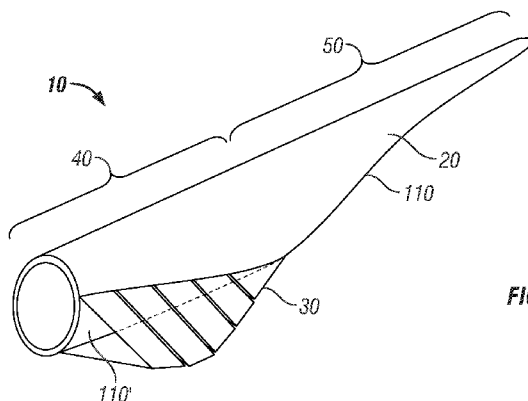


FIG. 3

(57) Abstract: A wind turbine rotor blade extension portion (30) is provided. The extension portion comprises a plurality of segments (130), located adjacent one another in a span-wise sense. An interface between adjacent segments is configured to minimise disruption to fluid passing thereover and to inhibit transmission of longitudinal loads between segments. Each segment comprises a first surface (140) and a second surface (150). The first surface is spaced from the second surface at a proximal region (170) of the extension portion and the first surface is connected to the second surface at a distal region (160) of the extension portion to thereby generate a fair surface for a rotor blade (10) to which the extension portion is connected, in use.



WO 2010/013025 A3

**INTERNATIONAL SEARCH REPORT**

International application No  
PCT/GB2009/050749

**A. CLASSIFICATION OF SUBJECT MATTER**

INV. F03D1/06  
ADD.

According to International Patent Classification (IPC) or to both national classification and IPC

**B. FIELDS SEARCHED**

Minimum documentation searched (classification system followed by classification symbols)  
F03D

Documentation searched other than minimum documentation to the extent that such documents are included in the fields searched

Electronic data base consulted during the international search (name of data base and, where practical, search terms used)

EPO-Internal

**C. DOCUMENTS CONSIDERED TO BE RELEVANT**

Category*	Citation of document, with indication, where appropriate, of the relevant passages	Relevant to claim No.
X	DE 199 62 454 A1 (AERODYN ENG GMBH [DE]) 5 July 2001 (2001-07-05) column 1, line 55 - column 3, line 32 * abstract; figures	1-21
X	WO 2007/071249 A1 (LM GLASFIBER AS [DK]; GRABAU PETER [DK]) 28 June 2007 (2007-06-28)	20,21
A	page 9, line 16 - line 27 page 11, line 17 - page 12, line 2 * abstract; figures 3-5,7	13,15,19
A	DE 10 2006 022279 A1 (WOBLEN ALOYS [DE]) 15 November 2007 (2007-11-15) paragraph [0006] paragraph [0026] - paragraph [0028] paragraph [0038] - paragraph [0040] figures 1,2	1-3,13, 14,18-21

Further documents are listed in the continuation of Box C.

See patent family annex.

\* Special categories of cited documents :

"A" document defining the general state of the art which is not considered to be of particular relevance

"E" earlier document but published on or after the international filing date

"L" document which may throw doubts on priority claim(s) or which is cited to establish the publication date of another citation or other special reason (as specified)

"O" document referring to an oral disclosure, use, exhibition or other means

"P" document published prior to the international filing date but later than the priority date claimed

"T" later document published after the international filing date or priority date and not in conflict with the application but cited to understand the principle or theory underlying the invention

"X" document of particular relevance; the claimed invention cannot be considered novel or cannot be considered to involve an inventive step when the document is taken alone

"Y" document of particular relevance; the claimed invention cannot be considered to involve an inventive step when the document is combined with one or more other such documents, such combination being obvious to a person skilled in the art.

"&" document member of the same patent family

Date of the actual completion of the international search

10 September 2010

Date of mailing of the international search report

17/09/2010

Name and mailing address of the ISA/

European Patent Office, P.B. 5818 Patentlaan 2  
NL - 2280 HV Rijswijk  
Tel. (+31-70) 340-2040,  
Fax: (+31-70) 340-3016

Authorized officer

O'Shea, Gearóid

# INTERNATIONAL SEARCH REPORT

Information on patent family members

International application No

PCT/GB2009/050749

Patent document cited in search report	Publication date	Patent family member(s)	Publication date	
DE 19962454	A1	05-07-2001	AU 3151201 A WO 0146582 A2	03-07-2001 28-06-2001
WO 2007071249	A1	28-06-2007	CN 101341332 A DK 176352 B1 EP 1963669 A1 US 2009104038 A1	07-01-2009 10-09-2007 03-09-2008 23-04-2009
DE 102006022279	A1	15-11-2007	AR 060889 A1 AT 452289 T AU 2007251569 A1 AU 2010201844 A1 CA 2650898 A1 CN 101438053 A DK 2018475 T3 EP 2018475 A1 WO 2007131937 A1 ES 2335548 T3 JP 2009536704 T KR 20090018111 A PT 2018475 E SI 2018475 T1 US 2009311106 A1 ZA 200809217 A	23-07-2008 15-01-2010 22-11-2007 27-05-2010 22-11-2007 20-05-2009 06-04-2010 28-01-2009 22-11-2007 29-03-2010 15-10-2009 19-02-2009 27-01-2010 26-02-2010 17-12-2009 25-11-2009