

(19) World Intellectual Property Organization  
International Bureau



(43) International Publication Date  
15 March 2007 (15.03.2007)

PCT

(10) International Publication Number  
WO 2007/030315 A3

- (51) International Patent Classification:  
A61M 29/00 (2006.01)
- (21) International Application Number:  
PCT/US2006/032745
- (22) International Filing Date: 23 August 2006 (23.08.2006)
- (25) Filing Language: English
- (26) Publication Language: English
- (30) Priority Data:  
11/217,545 1 September 2005 (01.09.2005) US

(74) Agents: JAEGER, Hugh, D. et al.; Hugh D. Jaeger, P.A., P.O. Box 672, 150 Lake Street West, Suite 106, Wayzata, MN 55391 (US).

(71) Applicant (for all designated States except US): POSSIS MEDICAL, INC. [US/US]; 9055 Evergreen Boulevard, N.W., Minneapolis, MN 55433-8003 (US).

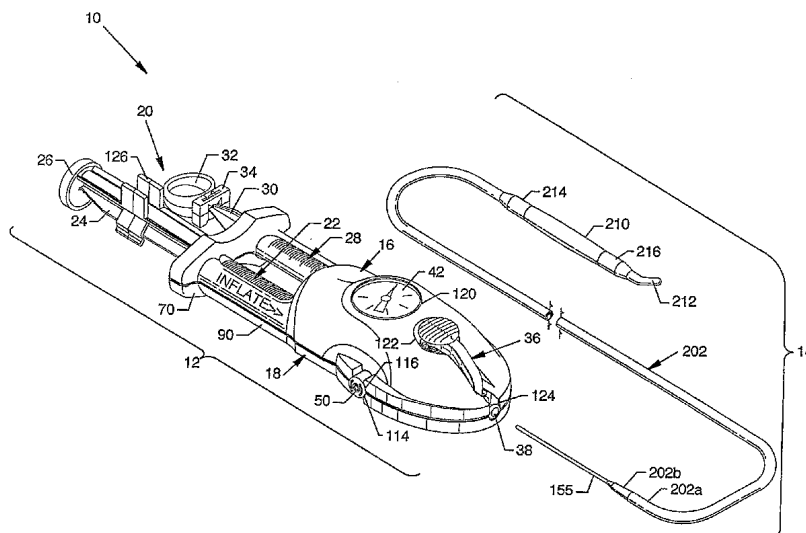
(81) Designated States (unless otherwise indicated, for every kind of national protection available): AE, AG, AL, AM, AT, AU, AZ, BA, BB, BG, BR, BW, BY, BZ, CA, CH, CN, CO, CR, CU, CZ, DE, DK, DM, DZ, EC, EE, EG, ES, FI, GB, GD, GE, GH, GM, HN, HR, HU, ID, IL, IN, IS, JP, KE, KG, KM, KN, KP, KR, KZ, LA, LC, LK, LR, LS, LT, LU, LV, LY, MA, MD, MG, MK, MN, MW, MX, MY, MZ, NA, NG, NI, NO, NZ, OM, PG, PH, PL, PT, RO, RS, RU, SC, SD, SE, SG, SK, SL, SM, SV, SY, TJ, TM, TN, TR, TT, TZ, UA, UG, US, UZ, VC, VN, ZA, ZM, ZW.

- (72) Inventors; and
- (75) Inventors/Applicants (for US only): BONNETTE, Michael, J. [US/US]; 2733 2nd Avenue South, Minneapolis, MN 55408 (US). PRATHER, Richard, R. [US/US]; 5730 Nelmark Avenue N.E., St. Michael, MN 55376 (US). THOR, Eric, J. [US/US]; 1707 Glenview Avenue, Arden Hills, MN 55112 (US).

(84) Designated States (unless otherwise indicated, for every kind of regional protection available): ARIPO (BW, GH, GM, KE, LS, MW, MZ, NA, SD, SL, SZ, TZ, UG, ZM, ZW), Eurasian (AM, AZ, BY, KG, KZ, MD, RU, TJ, TM), European (AT, BE, BG, CH, CY, CZ, DE, DK, EE, ES, FI, FR, GB, GR, HU, IE, IS, IT, LT, LU, LV, MC, NL, PL, PT, RO, SE, SI, SK, TR), OAPI (BF, BJ, CF, CG, CI, CM, GA, GN, GQ, GW, ML, MR, NE, SN, TD, TG).

Published:  
— with international search report  
(88) Date of publication of the international search report:  
30 April 2009

(54) Title: OCCLUSIVE GUIDEWIRE SYSTEM HAVING AN ERGONOMIC HANDHELD CONTROL MECHANISM AND TORQUEABLE KINK-RESISTANT GUIDEWIRE



(57) Abstract: An occlusive guidewire system having an ergonomic handheld control mechanism and torqueable kink-resistant guidewire having a distally located inflatable balloon. The present invention provides convenient structure and overall mechanism for operation of a torqueable kink-resistant guidewire, including evacuation and inflation control of an occlusive balloon, and sealing and severing of a crimpable inflation tube which is in communication with an occlusive balloon. The torqueable kink-resistant guidewire includes a centrally located shaft which imparts robustness to the torqueable kink-resistant guidewire. An inflation lumen aligns within the torqueable kink-resistant guidewire for inflation of the balloon.

WO 2007/030315 A3

**INTERNATIONAL SEARCH REPORT**

International application No.

PCT/US06/32745

**A. CLASSIFICATION OF SUBJECT MATTER**

IPC: **A61M 29/00( 2006.01)**

USPC: 604/99.01

According to International Patent Classification (IPC) or to both national classification and IPC

**B. FIELDS SEARCHED**

Minimum documentation searched (classification system followed by classification symbols)

U.S. : 604/99.01, 96.01, 104-104

Documentation searched other than minimum documentation to the extent that such documents are included in the fields searched

Electronic data base consulted during the international search (name of data base and, where practicable, search terms used)

EAST: guidewire, occlusive, handheld, syringe, evacuation, inflation, pressure, gauge

**C. DOCUMENTS CONSIDERED TO BE RELEVANT**

Category *	Citation of document, with indication, where appropriate, of the relevant passages	Relevant to claim No.
X	US 6,902,535 B2 (Eberhart et al.) 7 June 2005 (07.06.2005), see Figure 1	35-39
A		1-34,40-47

Further documents are listed in the continuation of Box C.

See patent family annex.

\* Special categories of cited documents:

"A" document defining the general state of the art which is not considered to be of particular relevance

"E" earlier application or patent published on or after the international filing date

"L" document which may throw doubts on priority claim(s) or which is cited to establish the publication date of another citation or other special reason (as specified)

"O" document referring to an oral disclosure, use, exhibition or other means

"P" document published prior to the international filing date but later than the priority date claimed

"T" later document published after the international filing date or priority date and not in conflict with the application but cited to understand the principle or theory underlying the invention

"X" document of particular relevance; the claimed invention cannot be considered novel or cannot be considered to involve an inventive step when the document is taken alone

"Y" document of particular relevance; the claimed invention cannot be considered to involve an inventive step when the document is combined with one or more other such documents, such combination being obvious to a person skilled in the art

"&" document member of the same patent family

Date of the actual completion of the international search

12 June 2008 (12.06.2008)

Date of mailing of the international search report

03 JUL 2008

Name and mailing address of the ISA/US

Mail Stop PCT, Attn: ISA/US  
Commissioner for Patents  
P.O. Box 1450  
Alexandria, Virginia 22313-1450

Facsimile No. (571) 273-3201

Authorized officer

Nicholas Lucchesi

Telephone No. 571-272-8759

