

(19) World Intellectual Property  
Organization  
International Bureau



(43) International Publication Date  
22 July 2004 (22.07.2004)

PCT

(10) International Publication Number  
**WO 2004/060727 A3**

(51) International Patent Classification<sup>7</sup>: **G08G 1/14**

(21) International Application Number:  
PCT/US2003/039226

(22) International Filing Date:  
11 December 2003 (11.12.2003)

(25) Filing Language: English

(26) Publication Language: English

(30) Priority Data:  
10/320,431 17 December 2002 (17.12.2002) US

CZ, DE, DK, DM, DZ, EC, EE, ES, FI, GB, GD, GE, GH, GM, HR, HU, ID, IL, IN, IS, JP, KE, KG, KP, KR, KZ, LC, LK, LR, LS, LT, LU, LV, MA, MD, MG, MK, MN, MW, MX, MZ, NO, NZ, OM, PH, PL, PT, RO, RU, SC, SD, SE, SG, SK, SL, TJ, TM, TN, TR, TT, TZ, UA, UG, UZ, VC, VN, YU, ZA, ZM, ZW.

(84) Designated States (regional): ARIPO patent (BW, GH, GM, KE, LS, MW, MZ, SD, SL, SZ, TZ, UG, ZM, ZW), Eurasian patent (AM, AZ, BY, KG, KZ, MD, RU, TJ, TM), European patent (AT, BE, BG, CH, CY, CZ, DE, DK, EE, ES, FI, FR, GB, GR, HU, IE, IT, LU, MC, NL, PT, RO, SE, SI, SK, TR), OAPI patent (BF, BJ, CF, CG, CI, CM, GA, GN, GQ, GW, ML, MR, NE, SN, TD, TG).

(71) Applicant and  
(72) Inventor: NEWCOMER, Ronald, E. [US/US]; 6417 Fairway Drive West, Fayetteville, PA 17222 (US).

Published:  
— with international search report

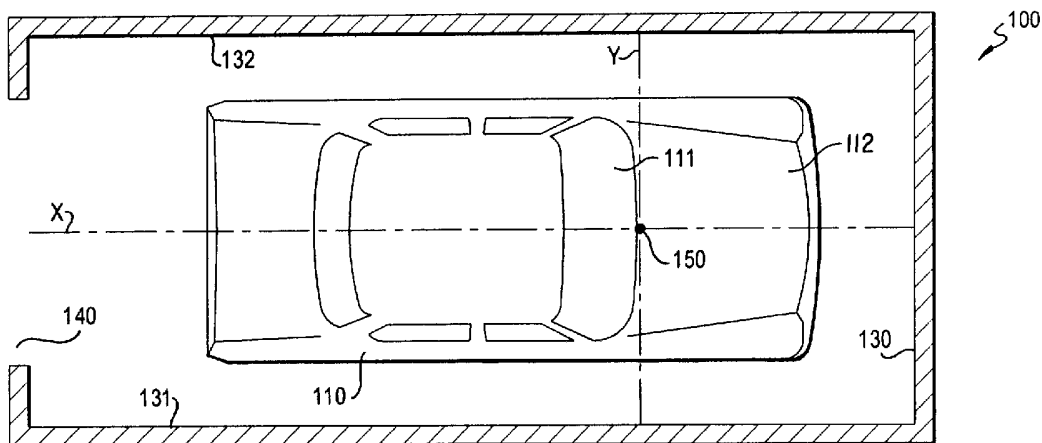
(74) Agent: VENTURINO, Anthony, P.; Stevens, Davis, Miller & Mosher, LLP, 1615 L Street N.W., Suite 850, Washington, DC 20036 (US).

(88) Date of publication of the international search report:  
16 September 2004

(81) Designated States (national): AE, AG, AL, AM, AT, AU, AZ, BA, BB, BG, BR, BY, BZ, CA, CH, CN, CO, CR, CU,

For two-letter codes and other abbreviations, refer to the "Guidance Notes on Codes and Abbreviations" appearing at the beginning of each regular issue of the PCT Gazette.

(54) Title: VEHICLE POSITIONING DEVICE



(57) Abstract: A method and apparatus for guiding a vehicle into an optimal position within a parking space. A first linear ray of light is projected along the centerline of a parking space. A second linear ray of light is projected at an angle to and intersecting the first linear ray within the parking space. The first linear ray of light guides the driver while moving into and through the space when the driver aligns an indicator on the vehicle with the first linear ray of light. As the driver nears the optimal position, the second linear ray of light will move towards the indicator. When the indicator coincides with the intersection of the first and second linear rays of light, the vehicle is in the optimal position.

WO 2004/060727 A3

**INTERNATIONAL SEARCH REPORT**

International application No.

PCT/US03/39226

<b>A. CLASSIFICATION OF SUBJECT MATTER</b>		
IPC(7) : G08G 1/14 US CL : 340/932.2		
According to International Patent Classification (IPC) or to both national classification and IPC		
<b>B. FIELDS SEARCHED</b>		
Minimum documentation searched (classification system followed by classification symbols) U.S. : 340/932.2, 555, 556, 557, 958; 250/491.1; 180/199; 399/400; 116/28R		
Documentation searched other than minimum documentation to the extent that such documents are included in the fields searched		
Electronic data base consulted during the international search (name of data base and, where practicable, search terms used) Please See Continuation Sheet		
<b>C. DOCUMENTS CONSIDERED TO BE RELEVANT</b>		
Category *	Citation of document, with indication, where appropriate, of the relevant passages	Relevant to claim No.
Y	US 6,218,962 B1 (FIENE) 17 April 2001, fig. 1, col. 1 lines 45-67 and col. 2, lines 42-45, col. 4, lines 24-45	1-19
Y	US 5,773,721 A (BASHYAM) 30 June 1998, see entire document.	1-19
Y	US 5,691,725 A (TANKA) 25 November 1997, see entire document.	7, 8, 12, 19
A,P	US 6,531,966 B2 (KRIEGER) 11 March 2003, see entire document.	1-22
<input type="checkbox"/> Further documents are listed in the continuation of Box C. <input type="checkbox"/> See patent family annex.		
* Special categories of cited documents:		
"A" document defining the general state of the art which is not considered to be of particular relevance	"T"	later document published after the international filing date or priority date and not in conflict with the application but cited to understand the principle or theory underlying the invention
"E" earlier application or patent published on or after the international filing date	"X"	document of particular relevance; the claimed invention cannot be considered novel or cannot be considered to involve an inventive step when the document is taken alone
"L" document which may throw doubts on priority claim(s) or which is cited to establish the publication date of another citation or other special reason (as specified)	"Y"	document of particular relevance; the claimed invention cannot be considered to involve an inventive step when the document is combined with one or more other such documents, such combination being obvious to a person skilled in the art
"O" document referring to an oral disclosure, use, exhibition or other means	"&"	document member of the same patent family
"P" document published prior to the international filing date but later than the priority date claimed		
Date of the actual completion of the international search 22 June 2004 (22.06.2004)	Date of mailing of the international search report <b>01 JUL 2004</b>	
Name and mailing address of the ISA/US Mail Stop PCT, Attn: ISA/US Commissioner for Patents P.O. Box 1450 Alexandria, Virginia 22313-1450 Facsimile No. (703) 305-3230	Authorized officer Kenneth Wieder <i>Kenneth Wieder</i> Telephone No. 703-305-4700	

**INTERNATIONAL SEARCH REPORT**

PCT/US03/39226

**Continuation of B. FIELDS SEARCHED Item 3:**  
USPAT; US-PGPUB; EPO; JPO; DERWENT; IBM\_TDB  
mirror near laser