



US00D593994S

(12) **United States Design Patent**
Andre et al.

(10) **Patent No.:** **US D593,994 S**
(45) **Date of Patent:** **** Jun. 9, 2009**

(54) **MEDIA DEVICE**

(75) Inventors: **Bartley K. Andre**, Menlo Park, CA (US); **Daniel J. Coster**, San Francisco, CA (US); **Daniele De Iuliis**, San Francisco, CA (US); **Richard P. Howarth**, San Francisco, CA (US); **Jonathan P. Ive**, San Francisco, CA (US); **Steve Jobs**, San Francisco, CA (US); **Duncan Robert Kerr**, San Francisco, CA (US); **Shin Nishibori**, San Francisco, CA (US); **Matthew Dean Rohrbach**, San Francisco, CA (US); **Douglas B. Satzger**, Menlo Park, CA (US); **Calvin Q. Seid**, Palo Alto, CA (US); **Christopher J. Stringer**, Portola Valley, CA (US); **Eugene Antony Whang**, San Francisco, CA (US); **Rico Zorkendorfer**, San Francisco, CA (US)

(73) Assignee: **Apple Inc.**, Cupertino, CA (US)

(**) Term: **14 Years**

(21) Appl. No.: **29/327,484**

(22) Filed: **Nov. 6, 2008**

Related U.S. Application Data

(60) Division of application No. 29/304,037, filed on Feb. 22, 2008, now Pat. No. Des. 580,953, which is a continuation of application No. 29/265,520, filed on Sep. 1, 2006, now Pat. No. Des. 568,338.

(51) **LOC (9) Cl.** **14-03**

(52) **U.S. Cl.** **D14/203.7; D14/496**

(58) **Field of Classification Search** D14/496, D14/401, 435, 474, 483, 217, 137, 138, 160, D14/168; 345/156, 169, 173-179, 905; 715/727-729, 715/864; 455/11.1, 7, 73, 344-347, 93, 95; 370/342-344; 369/1, 2, 6, 12; 463/43-47; 273/148 B

See application file for complete search history.

(56) **References Cited**

U.S. PATENT DOCUMENTS

D245,701 S * 9/1977 Kinsinger D16/221

(Continued)

FOREIGN PATENT DOCUMENTS

CN 3260632D 10/2002

(Continued)

OTHER PUBLICATIONS

U.S. Appl. No. 29/237,225, Andre et al., Media Device, filed Aug. 24, 2005.

(Continued)

Primary Examiner—Prabhakar Deshmukh
(74) *Attorney, Agent, or Firm*—Sterne, Kessler, Goldstein & Fox P.L.L.C.

(57) **CLAIM**

We claim the ornamental design for an media device, substantially as shown and described.

DESCRIPTION

FIG. 1 is a perspective view of a media device showing our new design.

FIG. 2 is a front view thereof;

FIG. 3 is a rear view thereof;

FIG. 4 is a top view thereof;

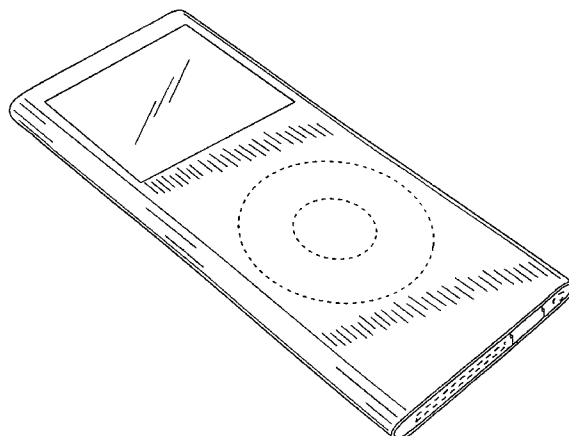
FIG. 5 is a bottom view thereof;

FIG. 6 is a right side view thereof; and,

FIG. 7 is a left view thereof.

The broken lines are for illustrative purposes only and form no part of the claimed design.

1 Claim, 3 Drawing Sheets



U.S. PATENT DOCUMENTS			FOREIGN PATENT DOCUMENTS		
D264,969	S	6/1982 McGourty	D538,820	S	3/2007 Andre et al.
4,976,435	A	12/1990 Shatford et al.	D539,814	S	4/2007 Andre et al.
5,192,082	A	3/1993 Inoue et al.	D541,297	S	4/2007 Andre et al.
D339,806	S *	9/1993 Grinkus D14/217	D541,298	S	4/2007 Andre et al.
5,414,444	A *	5/1995 Britz 345/156	D541,299	S	4/2007 Andre et al.
5,661,632	A	8/1997 Register	D542,306	S	5/2007 Andre et al.
D412,940	S	8/1999 Kato et al.	D542,808	S	5/2007 Andre et al.
5,964,661	A	10/1999 Dodge	D543,553	S	5/2007 Langberg et al.
D425,885	S	5/2000 Amron	7,230,822	B2	6/2007 Langbert et al.
D430,169	S	8/2000 Scibora	D548,744	S	8/2007 Andre et al.
6,122,526	A	9/2000 Parulski et al.	D548,745	S	8/2007 Andre et al.
D432,523	S	10/2000 Grinkus et al.	D548,746	S	8/2007 Andre et al.
D437,860	S	2/2001 Suzuki et al.	D548,747	S	8/2007 Andre et al.
D438,525	S	3/2001 Katayama	D549,237	S	8/2007 Andre et al.
D441,735	S	5/2001 Katayama	D551,680	S	9/2007 Andre et al.
6,227,966	B1	5/2001 Yokoi	D575,304	S	8/2008 Andre et al.
6,254,477	B1	7/2001 Sasaki et al.	2004/0224638	A1	11/2004 Fadell et al.
6,262,785	B1	7/2001 Kim	OTHER PUBLICATIONS		
D448,810	S	10/2001 Goto	CN	3260633D	10/2002
D450,713	S	11/2001 Masamitsu et al.	CN	3269799D	12/2002
6,314,483	B1	11/2001 Goto et al.	CN	3286007D	4/2003
D452,250	S	12/2001 Chan	CN	3287344D	4/2003
D455,793	S	4/2002 Lin	CN	3331371D	10/2003
D468,365	S	1/2003 Bransky et al.	CN	339759D	12/2003
D469,109	S	1/2003 Andre et al.	CN	3375890D	6/2004
D472,245	S	3/2003 Andre et al.	CN	3380859D	7/2004
D473,207	S	4/2003 Tanio	CN	3389184D	9/2004
6,567,011	B1	5/2003 Young et al.	CN	3389185D	9/2004
6,591,085	B1	7/2003 Grady	CN	3453893D	6/2005
D483,809	S	12/2003 Lim	CN	3453894D	6/2005
D486,813	S	2/2004 Chun	CN	3453909D	6/2005
D489,052	S	4/2004 Shiraki et al.	CN	3468582D	8/2005
D489,731	S	5/2004 Huang	CN	3468598D	8/2005
D490,068	S	5/2004 Chen	CN	3480659D	10/2005
D492,315	S	6/2004 Wang	CN	3484184D	11/2005
D492,323	S	6/2004 Wang	CN	3490573D	12/2005
D494,188	S	8/2004 Huang	CN	3490574D	12/2005
D497,618	S	10/2004 Andre et al.	CN	3509995D	3/2006
D499,388	S *	12/2004 Murakami D14/507	CN	3513646D	3/2006
D499,423	S	12/2004 Bahroocha et al.	CN	3518964D	4/2006
D499,424	S	12/2004 Bahroocha	CN	3518979D	4/2006
D503,409	S	3/2005 Wong et al.	CN	3534319D	6/2006
D506,476	S	6/2005 Andre et al.	CN	3543434D	7/2006
D507,003	S	7/2005 Pai et al.	CN	3545312D	7/2006
D507,277	S	7/2005 Sitoh	CN	3549064D	8/2006
6,920,344	B2	7/2005 Jang	JP	1228217	1/2005
D509,833	S	9/2005 Yang	OTHER PUBLICATIONS		
D510,937	S	10/2005 Tsai	U.S. Appl. No. 29/237,232, Andre et al., Handheld Portable Computing Device, filed Aug. 24, 2005.		
D511,347	S	11/2005 Naruki	U.S. Appl. No. 29/287,025, Andre et al., Media Device, filed Jul. 10, 2007.		
D511,529	S	11/2005 Sassano	U.S. Appl. No. 29/288,717, Andre et al., Media Device, filed Jun. 20, 2007.		
D512,403	S	12/2005 Yang	U.S. Appl. No. 29/196,832, Andre et al., Media Device, filed Jan. 5, 2004.		
6,977,675	B2	12/2005 Kotzin	U.S. Appl. No. 29/224,220, Andre et al., Electronic Device, filed Feb. 25, 2005.		
D513,512	S	1/2006 Tsai	Apple iPod, product sheet, Mac Mall.com (on line), (c) 2005-2005, (retrieved on Aug. 25, 2007) retrieved on internet <URL:http://www.Macmall.com>, 2 pages.		
D514,120	S	1/2006 Chan	Apple iPod U2 special edition (20GB), product sheet, Selectmore.com (on line), (c) 1998-2004, (retrieved on Aug. 25, 2007) retrieved on internet <URL:http://www.selectmore.com>, 5 pages.		
D514,121	S	1/2006 Johnson	Apple iPod U2 special edition black, product sheet, Winbuyer.com (on line), (retrieved on Aug. 25, 2007) retrieved on internet <URL:http://www.winbuyer.com>, 4 pages.		
D514,589	S	2/2006 Chen	Black iPod player, product sheet, Satsig.ntblack-ipod.htm. (c) 2007, (retrieved on Aug. 8, 2007), 1 page.		
D515,099	S	2/2006 Lee			
D515,545	S	2/2006 Griffin			
D515,546	S	2/2006 Mu			
D516,576	S	3/2006 Ive et al.			
D516,579	S	3/2006 Nakamura			
D517,088	S	3/2006 Chong et al.			
7,013,164	B2	3/2006 Lin			
D518,290	S	4/2006 Andre et al.			
D519,523	S	4/2006 Chiu et al.			
D520,020	S	5/2006 Senda et al.			
7,046,230	B2	5/2006 Zadesky et al.			
D525,986	S	8/2006 Kim			
D529,512	S	10/2006 Reawsanguanwong			
D534,184	S	12/2006 Leija et al.			
D534,545	S	1/2007 Leija et al.			

US D593,994 S

Page 3

HA16004656, Design of HDD Mobile Audio Player, Received by National Center for Industrial Property Information on Apr. 14, 2004. Publication "Good Press" issued on May 10, 2004, No. 5, p. 47.

U.S. Appl. No. 29/305,583, Andre et al., Media Device, filed Mar. 24, 2008.

U.S. Appl. No. 29/324,128, Andre et al., Electronic Device, filed Sep. 05, 2008.

U.S. Appl. No. 29/324,136, Andre et al., Electronic Device, filed Sep. 06, 2008.

* cited by examiner

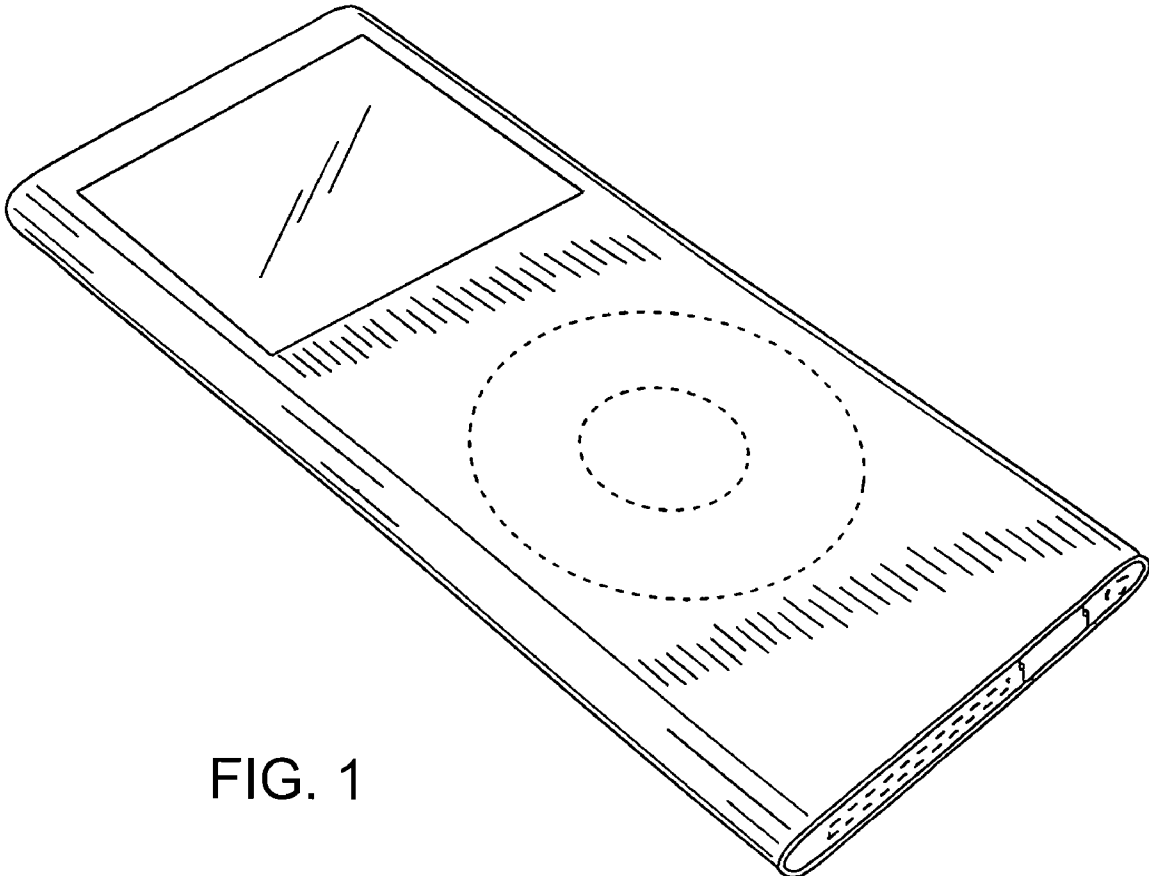


FIG. 1

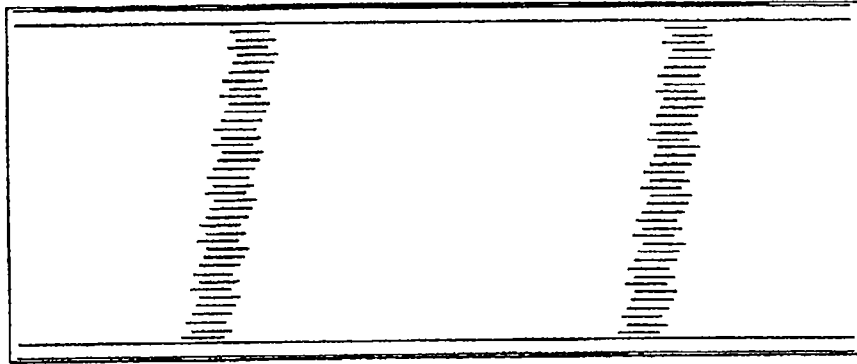


FIG. 3

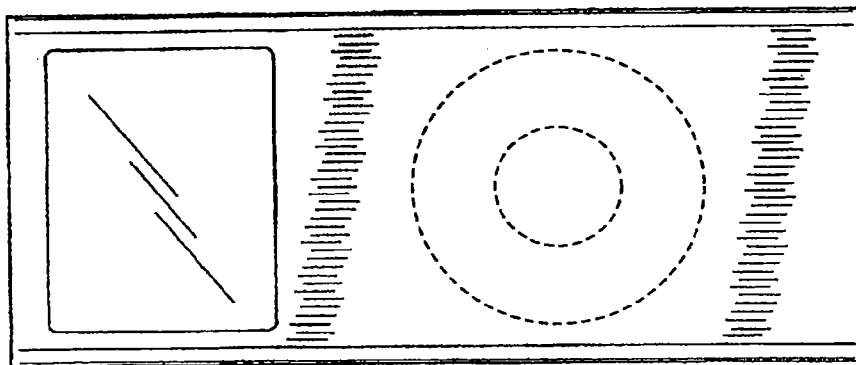


FIG. 2



FIG. 4



FIG. 5

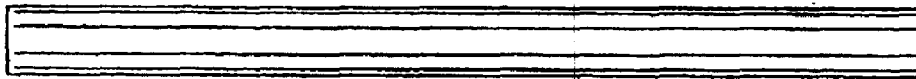


FIG. 6

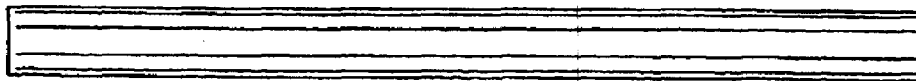


FIG. 7