



US00D708485S

(12) **United States Design Patent**
VanDyke

(10) **Patent No.:** **US D708,485 S**

(45) **Date of Patent:** **** Jul. 8, 2014**

(54) **BEVERAGE HOLDER**

(71) Applicant: **Scott VanDyke**, Manhattan, MT (US)

(72) Inventor: **Scott VanDyke**, Manhattan, MT (US)

(**) Term: **14 Years**

(21) Appl. No.: **29/444,900**

(22) Filed: **Feb. 5, 2013**

(51) **LOC (10) Cl.** **07-06**

(52) **U.S. Cl.**
USPC **D7/625**

(58) **Field of Classification Search**

CPC A47G 23/02; A47G 23/0208; A47G 23/0241; A47G 23/0266; A47G 19/2272; A63B 2225/682; A63B 21/0726; A62B 2202/023; A61J 9/08; A61J 9/06; A61J 1/16; A45C 13/02; A45C 2200/20; B65D 81/38; B65D 23/08; B65D 23/0842; B65D 23/0885; A47J 36/06
USPC D7/619.1-625, 605-608, 529, 511, D7/514-517; D9/444, 711, 702, 713, 452, D9/499, 455, 434, 688, 538, 600; 215/11.6, 392-396, 12.1, 12.2, 13.1; 206/459.5; 220/737-739, 903, 904, 220/758-759, 673, 592.17; 229/403, 87.01, 229/400, 405; D21/662, 681, 682, 680, D21/684; 482/105, 106, 107, 108; 211/74; 248/311.2, 309.1; 62/457.1-457.7
See application file for complete search history.

(56) **References Cited**

U.S. PATENT DOCUMENTS

D279,495 S * 7/1985 Barbeau D21/681
5,421,797 A * 6/1995 Fletcher 482/106
5,509,877 A * 4/1996 Adams 482/108
5,620,112 A 4/1997 Brown

5,997,494 A * 12/1999 Watkins et al. 602/36
D456,705 S * 5/2002 Vijn D9/668
D465,151 S 11/2002 Mixon
D489,001 S 4/2004 Martin
D490,653 S * 6/2004 Kleckauskas et al. D7/510
D513,688 S * 1/2006 Moran D7/605
D522,814 S 6/2006 McMichael
D575,107 S * 8/2008 Martin D7/515
D584,161 S 1/2009 Barker

(Continued)

OTHER PUBLICATIONS

Fits 12oz cans & 16oz bottle (pinterest), [online], photo uploaded 25 weeks ago Oct. 21, 2013, retrieved on Apr. 14, 2014. Retrieved from, <URL: <https://www.pinterest.com/pin/91620173643082847/>>, 1 page.*

(Continued)

Primary Examiner — Ian Simmons
Assistant Examiner — Shannon Morgan
(74) *Attorney, Agent, or Firm* — Antoinette M. Tease

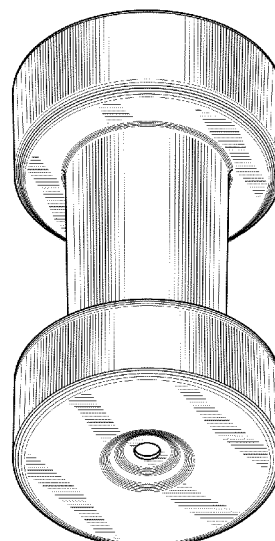
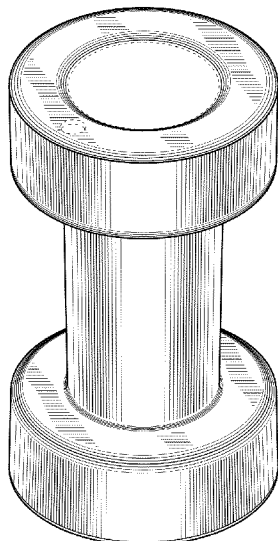
(57) **CLAIM**

The ornamental design for a beverage holder, as shown and described.

DESCRIPTION

FIG. 1 is a top perspective view showing my new design;
FIG. 2 is a bottom perspective view thereof;
FIG. 3 is a top plan view thereof;
FIG. 4 is a bottom plan view thereof;
FIG. 5 is a front elevational view thereof;
FIG. 6 is a rear elevational view thereof;
FIG. 7 is a right side elevational view thereof; and,
FIG. 8 is a left side elevational view thereof.
The broken lines in FIGS. 1 and 3 of the beverage holder are for the purpose of illustrating environment, and form no part of the claimed design.

1 Claim, 2 Drawing Sheets



(56)

References Cited

U.S. PATENT DOCUMENTS

D596,492	S	7/2009	Safdieh	
D597,613	S	* 8/2009	Hillson D21/681
D609,526	S	2/2010	Tuttle	
7,951,020	B2	5/2011	Castor et al.	
2007/0051735	A1	3/2007	Taylor et al.	
2010/0093470	A1	4/2010	Castor et al.	

OTHER PUBLICATIONS

Beerbell—A personalized Koozie Drink Holder, [online], posted on Dec. 10, 2013, retrieved on Jan. 25, 2014. Retrieved from, <URL: <http://www.24freeads.com/0/posts/11-Shopping/87-Flower-Gifts/105086-Beerbell-A-Personalized-Koozie-Drink-Holder.html>>, 1 page.*

* cited by examiner

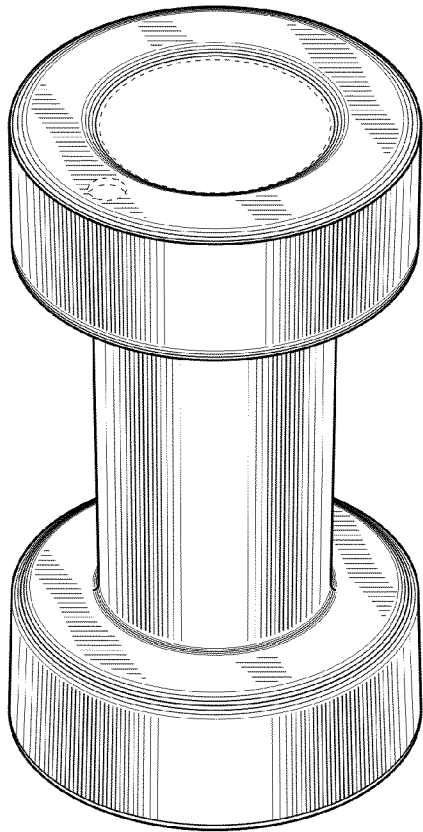


Fig.1

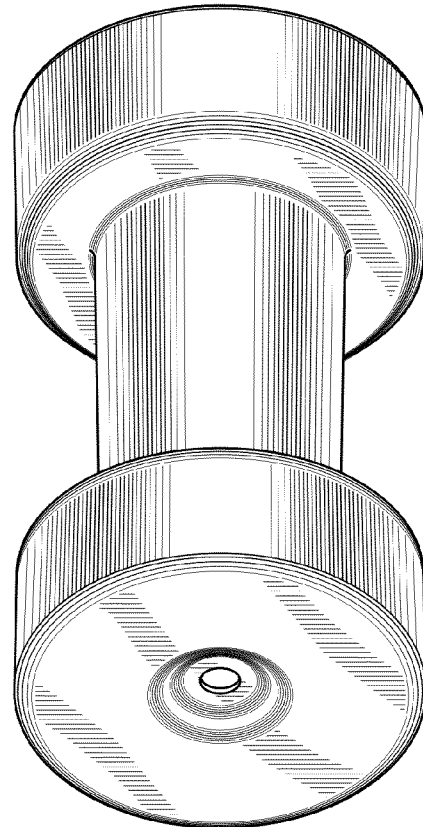


Fig.2

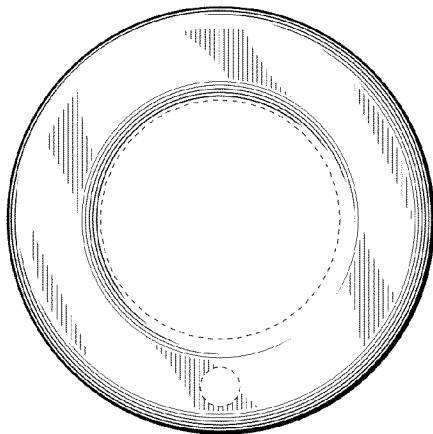


Fig.3

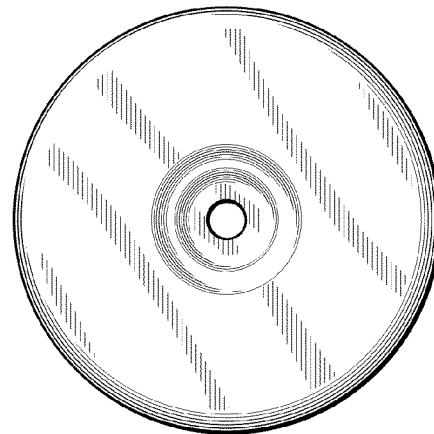


Fig.4

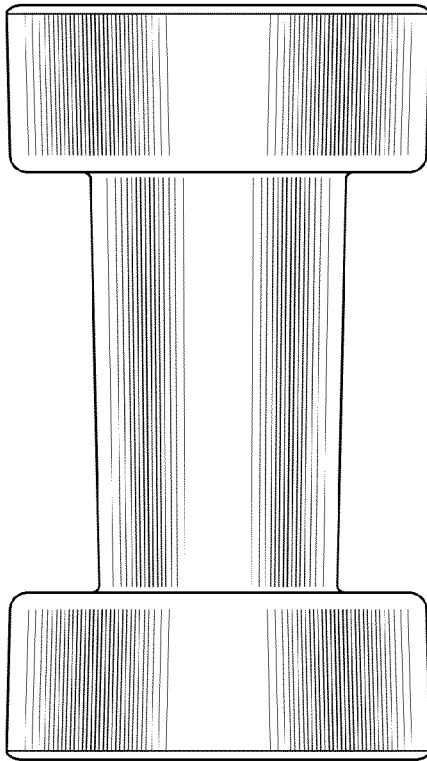


Fig.5

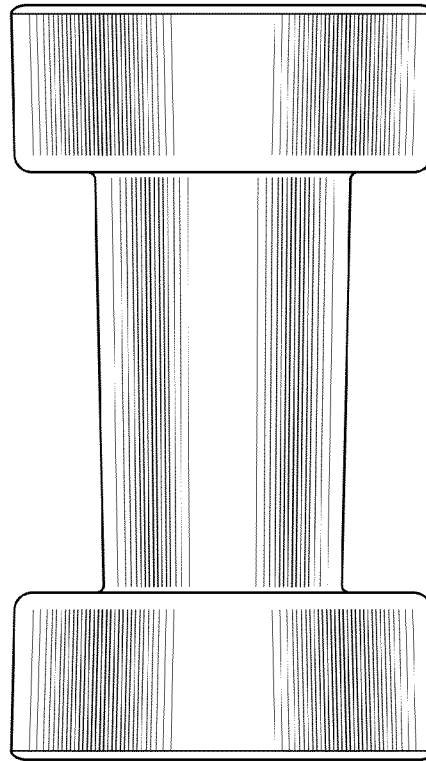


Fig.6

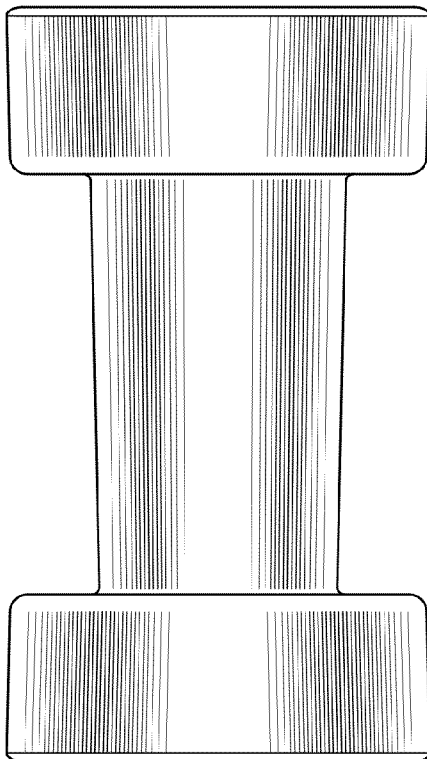


Fig.7

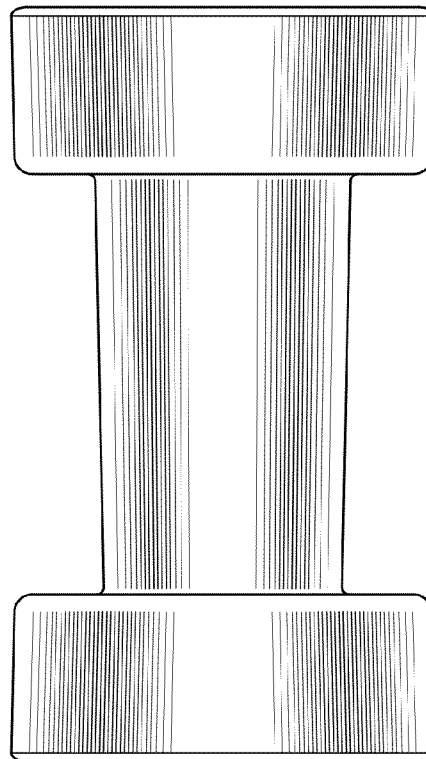


Fig.8