



US00D593364S

(12) **United States Design Patent**
Harris

(10) **Patent No.:** **US D593,364 S**

(45) **Date of Patent:** **** Jun. 2, 2009**

(54) **COMBINED BASE AND BOWL**

(76) Inventor: **Charles E. Harris**, 104-6 Moo 17
Tambol Mae Fah Luang, P.O. Box 18,
Mae Fah Luang District, Chiang Rai
(TH) 57240

(**) Term: **14 Years**

(21) Appl. No.: **29/298,672**

(22) Filed: **Dec. 10, 2007**

(51) **LOC (9) Cl.** **07-01**

(52) **U.S. Cl.** **D7/505; D7/584; D7/586**

(58) **Field of Classification Search** D7/505,
D7/507, 550.1, 554.3, 543, 545, 553.1, 553.3,
D7/562, 535, 555, 500, 540, 554.2, 566, 584,
D7/587, 586, 561, 557, 624.1, 396.6; D30/129;
D26/121; 220/574, 575, 657, 506, 557, 574.1,
220/574.2; 206/564, 557, 426, 454, 563;
229/938, 401; 211/14; 294/172; D9/456,
D9/457, 499

See application file for complete search history.

(56) **References Cited**

U.S. PATENT DOCUMENTS

D56,761	S	*	12/1920	Miller	D30/129
2,053,949	A	*	9/1936	Emery	220/574
3,622,036	A	*	11/1971	Bongaerts	220/574
D281,758	S	*	12/1985	Trombly	D7/392.1
D313,487	S	*	1/1991	Conner	D30/129
D424,757	S	*	5/2000	Cooper et al.	D30/129
6,561,375	B1	*	5/2003	Nagy	220/574
6,571,980	B2	*	6/2003	Littlejohn et al.	220/574

D504,196	S	*	4/2005	Huthmaker et al.	D30/129
D509,106	S	*	9/2005	de Groote et al.	D7/587
D523,996	S	*	6/2006	Fine	D30/129
7,306,112	B2	*	12/2007	Shepard	220/506
D564,710	S	*	3/2008	Modi et al.	D30/129
D575,581	S	*	8/2008	Harris	D7/396.6
D576,448	S	*	9/2008	Harris	D7/505

* cited by examiner

Primary Examiner—Charles A Rademaker

(74) *Attorney, Agent, or Firm*—Nixon Peabody LLP; Donald L. Bartels

(57) **CLAIM**

The ornamental design for a combined base and bowl, as shown and described.

DESCRIPTION

FIG. 1 is a top perspective view of a combined base and bowl showing my new design;

FIG. 2 is a bottom perspective view thereof;

FIG. 3 is a side elevation thereof;

FIG. 4 is a top plan view thereof;

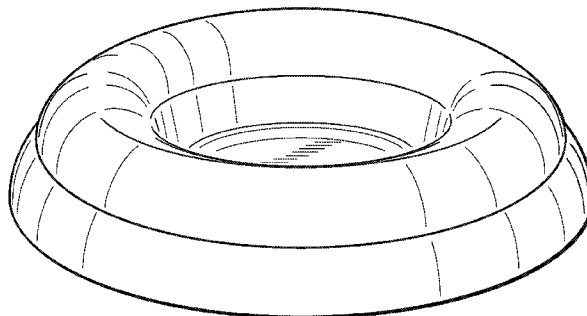
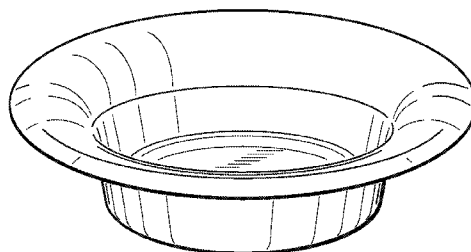
FIG. 5 is a bottom plan view thereof;

FIG. 6 is another top perspective view thereof showing the base and bowl in an exploded condition; and,

FIG. 7 is a side elevation thereof.

The broken lines shown in FIGS. 2, 3, 5 and 7 represent environmental structure and form no part of the claimed design.

1 Claim, 5 Drawing Sheets



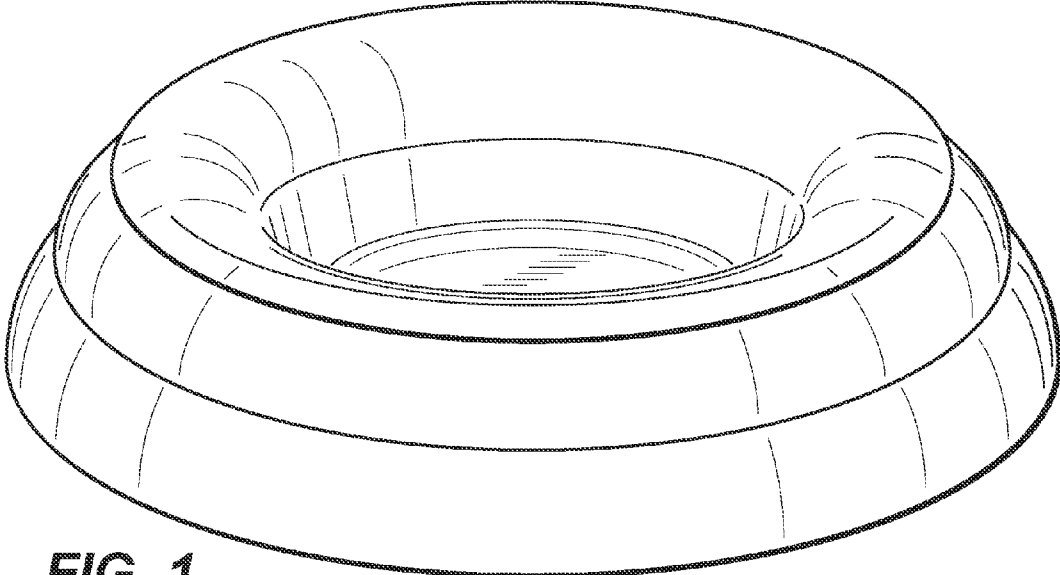


FIG. 1

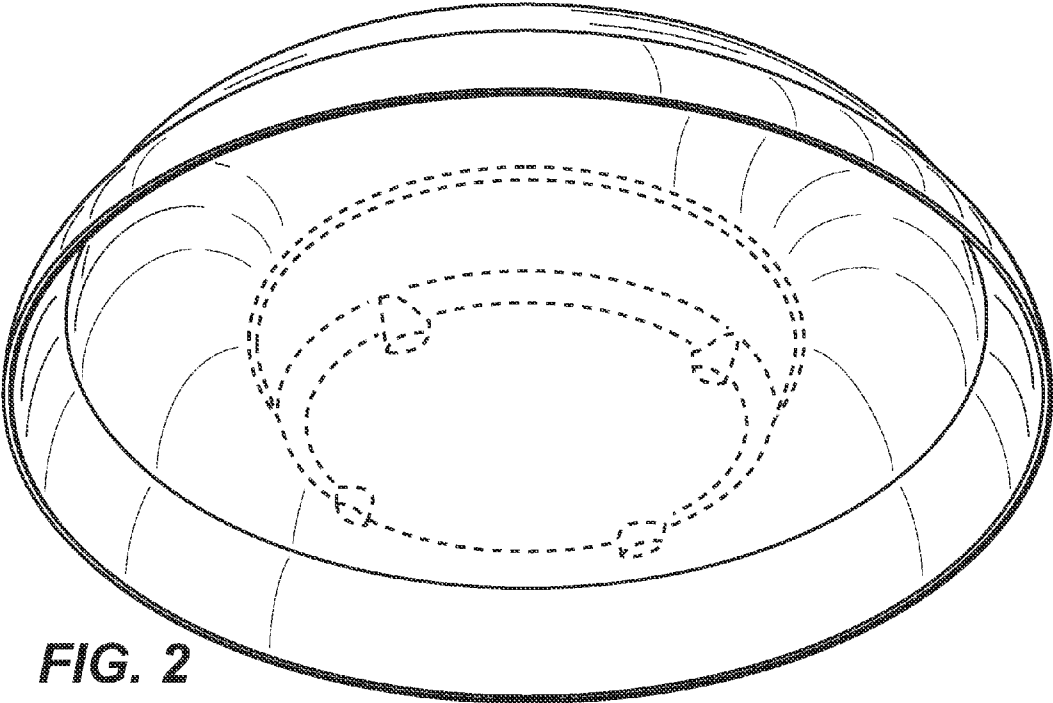


FIG. 2

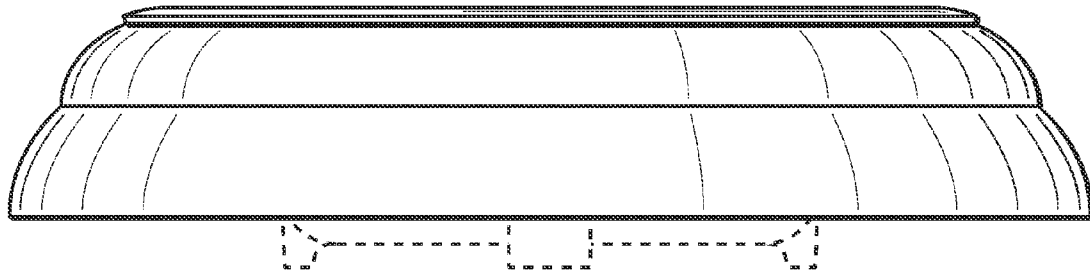


FIG. 3

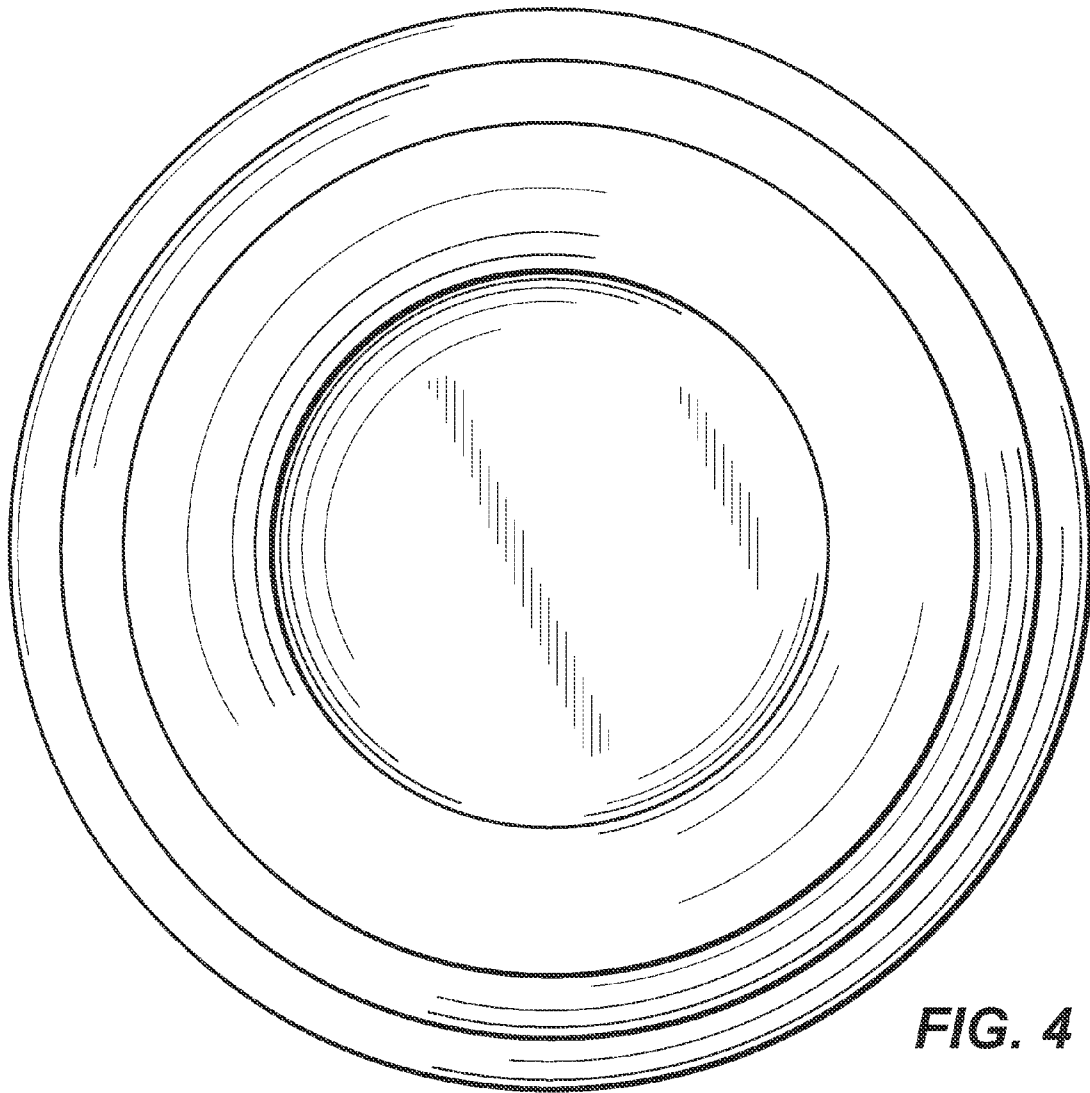


FIG. 4

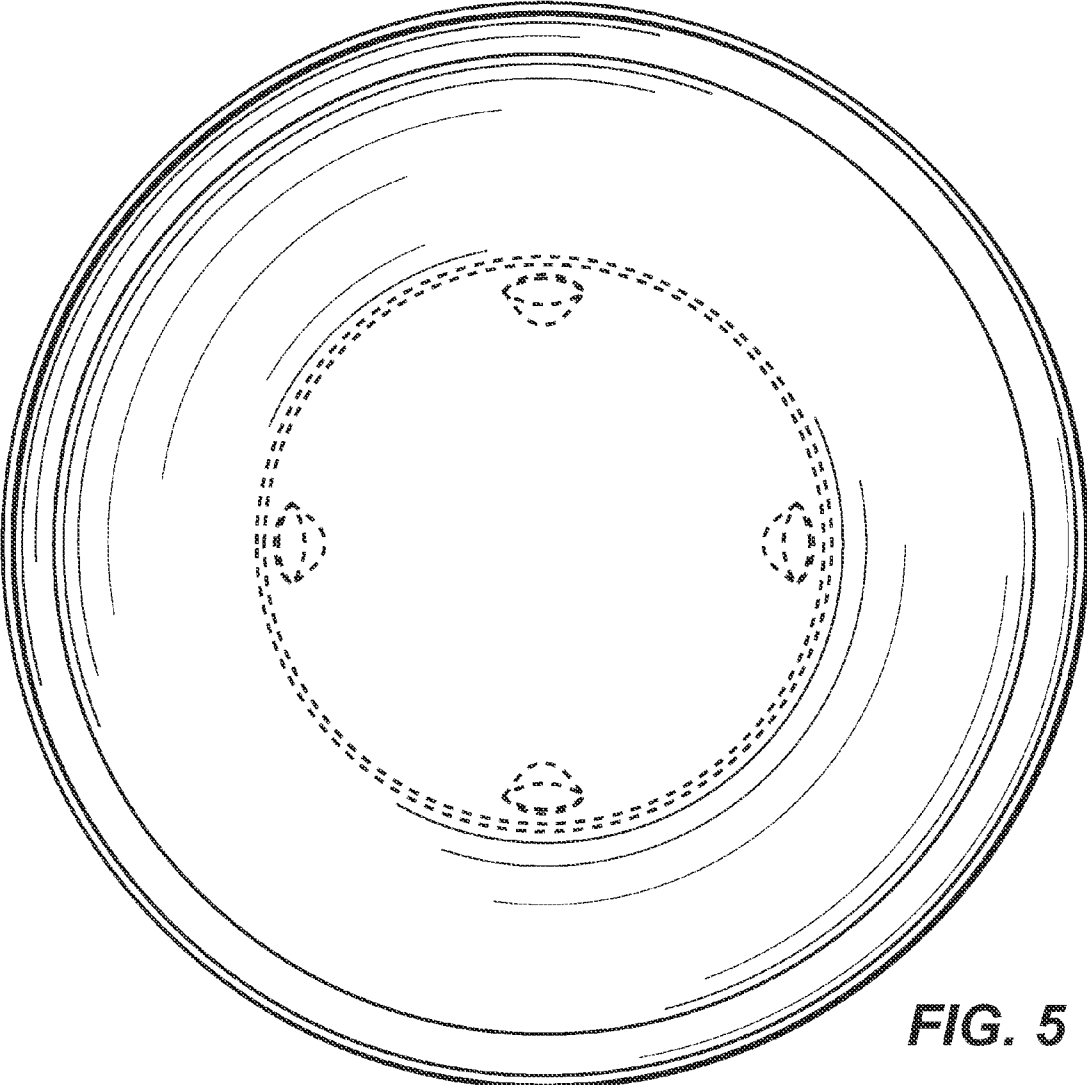


FIG. 5

