



US00D412254S

United States Patent [19]

[11] Patent Number: **Des. 412,254**

Gower

[45] Date of Patent: **** Jul. 27, 1999**

[54] **DINING TABLE**

OTHER PUBLICATIONS

[75] Inventor: **Andrew Gower**, Berkeley, Calif.

Smith and Hawken, p. 33, Sussex table.

[73] Assignee: **Kingsley-Bate Co. Ltd.**, Fairfax, Va.

Primary Examiner—Janice E. Seeger
Attorney, Agent, or Firm—John M. Harrington; Kilpatrick Stockton LLP

[**] Term: **14 Years**

[21] Appl. No.: **29/096,354**

[57] CLAIM

[22] Filed: **Nov. 11, 1998**

The ornamental design for dining table, as shown and described.

[51] **LOC (6) Cl.** **06-03**

[52] **U.S. Cl.** **D6/480; D6/488**

[58] **Field of Search** D6/480-489, 495-499,
D6/511, 477, 436; 108/50.12, 153.1, 155,
156, 157.1, 161; 248/188, 188.1, 188.8

DESCRIPTION

[56] References Cited

FIG. 1 is a front perspective view of a dining table of my new design;

FIG. 2 is a side elevational view of the dining table of FIG. 1 all sides being identical thereto;

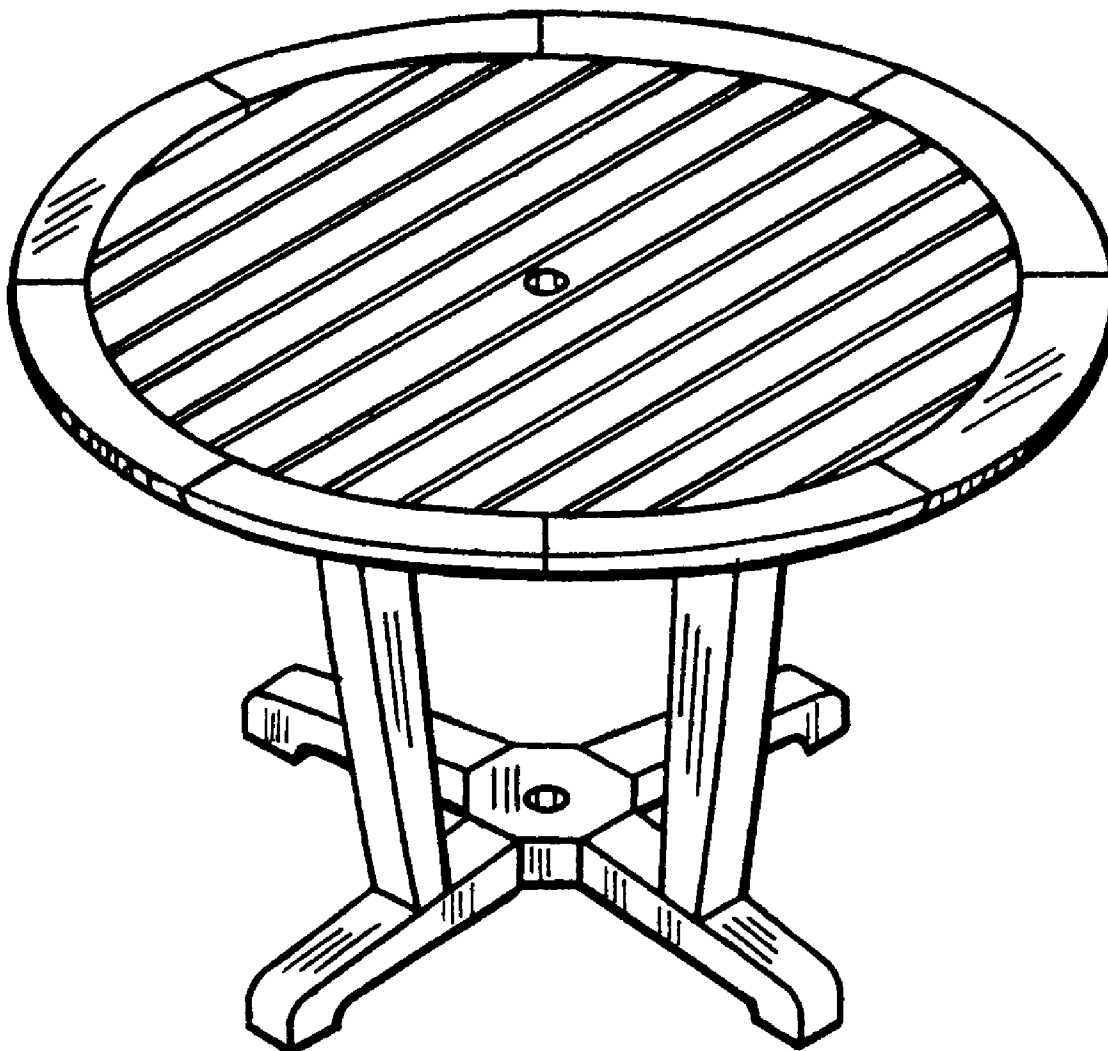
FIG. 3 is a top plan view of the dining table of FIG. 1; and

FIG. 4 is a bottom plan view of the dining table of FIG. 1.

U.S. PATENT DOCUMENTS

D. 280,371 9/1985 Bayly D6/484
4,353,659 10/1982 Comte 403/24

1 Claim, 1 Drawing Sheet



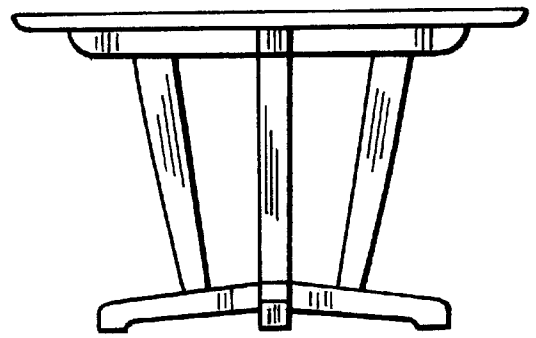


FIG. 2

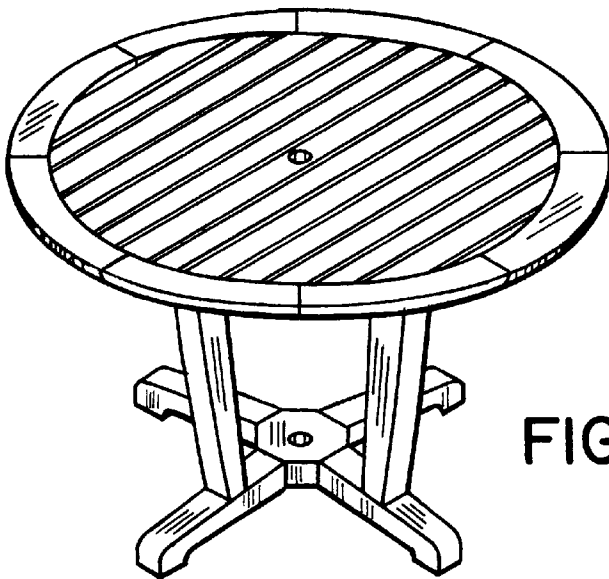


FIG. 1

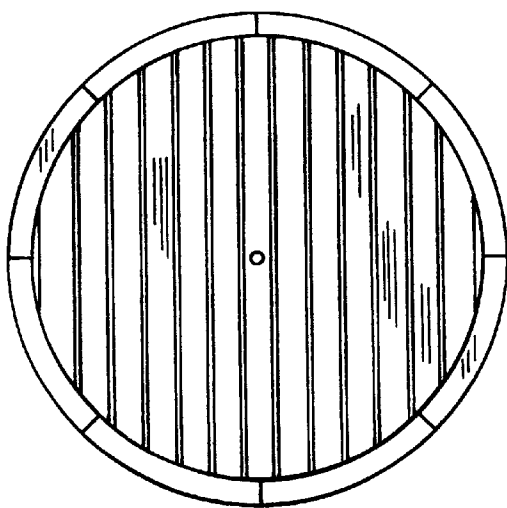


FIG. 3

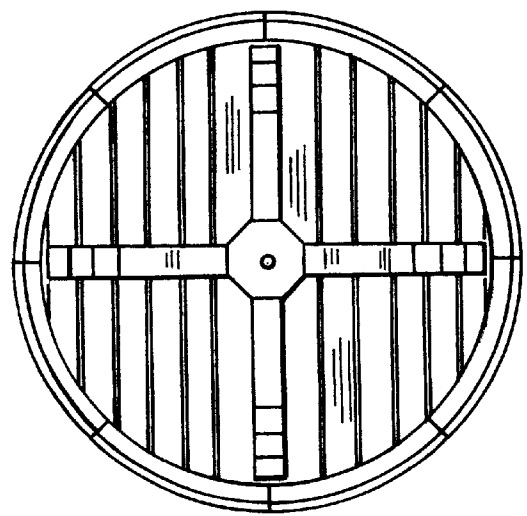


FIG. 4