

(19) World Intellectual Property Organization  
International Bureau



(43) International Publication Date  
22 June 2006 (22.06.2006)

PCT

(10) International Publication Number  
WO 2006/065159 A3

(51) International Patent Classification:  
A46B 15/00 (2006.01) A46B 5/00 (2006.01)

SK, SL, SM, SY, TJ, TM, TN, TR, TT, TZ, UA, UG, US,  
UZ, VC, VN, YU, ZA, ZM, ZW.

(21) International Application Number:  
PCT/PL2005/000080

(84) Designated States (unless otherwise indicated, for every kind of regional protection available): ARIPO (BW, GH, GM, KE, LS, MW, MZ, NA, SD, SL, SZ, TZ, UG, ZM, ZW), Eurasian (AM, AZ, BY, KG, KZ, MD, RU, TJ, TM), European (AT, BE, BG, CH, CY, CZ, DE, DK, EE, ES, FI, FR, GB, GR, HU, IE, IS, IT, LT, LU, LV, MC, NL, PL, PT, RO, SE, SI, SK, TR), OAPI (BF, BJ, CF, CG, CI, CM, GA, GN, GQ, GW, ML, MR, NE, SN, TD, TG).

(22) International Filing Date:  
13 December 2005 (13.12.2005)

(25) Filing Language: English

(26) Publication Language: English

**Declarations under Rule 4.17:**

(30) Priority Data:  
P-371703 13 December 2004 (13.12.2004) PL

- as to applicant's entitlement to apply for and be granted a patent (Rule 4.17(ii))
- of inventorship (Rule 4.17(iv))

(71) Applicant and

(72) Inventor: JEZIOROWSKI, Maciej [PL/PL]; ul. Winnicka 37, PL-30-394 Kraków (PL).

**Published:**

- with international search report
- before the expiration of the time limit for amending the claims and to be republished in the event of receipt of amendments

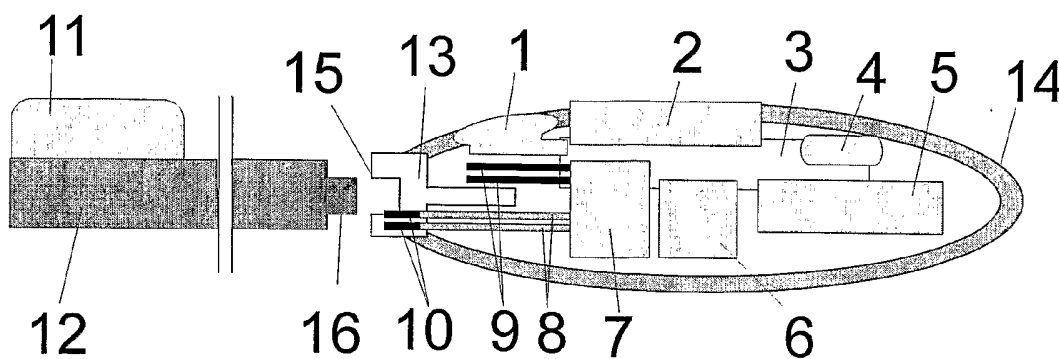
(81) Designated States (unless otherwise indicated, for every kind of national protection available): AE, AG, AL, AM, AT, AU, AZ, BA, BB, BG, BR, BW, BY, BZ, CA, CH, CN, CO, CR, CU, CZ, DE, DK, DM, DZ, EC, EE, EG, ES, FI, GB, GD, GE, GH, GM, HR, HU, ID, IL, IN, IS, JP, KE, KG, KM, KN, KP, KR, KZ, LC, LK, LR, LS, LT, LU, LV, LY, MA, MD, MG, MK, MN, MW, MX, MZ, NA, NG, NI, NO, NZ, OM, PG, PH, PL, PT, RO, RU, SC, SD, SE, SG,

(88) Date of publication of the international search report:

21 September 2006

For two-letter codes and other abbreviations, refer to the "Guidance Notes on Codes and Abbreviations" appearing at the beginning of each regular issue of the PCT Gazette.

(54) Title: THE ELECTRONIC TOOTHBRUSH



(57) Abstract: The electronic toothbrush according to invention in the individual toothbrush model has a handle (14) with the electronic match, which it ended by the wrist (13) with the joint's nest (15) and the interchangeable end (12) with the joint profile (16) and the fibers cleaning (11). In the external surface of the handle (14) it's visible the switch (1) and the display (2), on which are displayed the toothbrush functions. In the family model - the memory block (6) it's in the end (12) of toothbrush. The handle (14) has also the flap, which causes the exchange source of supplying (5) and / or the socket on plug-in, which enabling loading the toothbrush. The manner of measurement of real time the tooth washing, determination and signaling the end of usefulness of fibers cleaning according to inventions it relies on cooperation between the steering match (7) with clock function, the memory block (6) and the wrist (13) of the toothbrush for measurement of real time the tooth washing and determination the expected time of usefulness of fibers cleaning (11).

WO 2006/065159 A3

## INTERNATIONAL SEARCH REPORT

International application No  
PCT/PL2005/000080

## A. CLASSIFICATION OF SUBJECT MATTER

INV. A46B15/00  
ADD. A46B5/00

According to International Patent Classification (IPC) or to both national classification and IPC

## B. FIELDS SEARCHED

Minimum documentation searched (classification system followed by classification symbols)  
A46B A61C

Documentation searched other than minimum documentation to the extent that such documents are included in the fields searched

Electronic data base consulted during the international search (name of data base and, where practical, search terms used)

EPO-Internal, WPI Data, PAJ

## C. DOCUMENTS CONSIDERED TO BE RELEVANT

Category*	Citation of document, with indication, where appropriate, of the relevant passages	Relevant to claim No.
Y	US 2003/115694 A1 (PACE JOHN) 26 June 2003 (2003-06-26) paragraph [0009] - paragraph [0012] paragraph [0015]; figure 1	1,5
Y	US 4 450 599 A (SCHELLER ET AL) 29 May 1984 (1984-05-29)	1,5
A	column 1, line 57 - column 2, line 24 column 2, line 38 - line 61; figure	2
A	DE 39 35 554 A1 (AUGUSTIN, HANS-ULRICH) 2 May 1991 (1991-05-02) column 1, line 10 - column 2, line 14	1
A	US 6 735 802 B1 (LUNDELL WILLIAM G ET AL) 18 May 2004 (2004-05-18) column 1, line 35 - line 47	1,2,4,5
	-/--	

 Further documents are listed in the continuation of Box C. See patent family annex.

## \* Special categories of cited documents:

- \*A\* document defining the general state of the art which is not considered to be of particular relevance
- \*E\* earlier document but published on or after the international filing date
- \*L\* document which may throw doubts on priority claim(s) or which is cited to establish the publication date of another citation or other special reason (as specified)
- \*O\* document referring to an oral disclosure, use, exhibition or other means
- \*P\* document published prior to the international filing date but later than the priority date claimed

- \*T\* later document published after the international filing date or priority date and not in conflict with the application but cited to understand the principle or theory underlying the invention
- \*X\* document of particular relevance; the claimed invention cannot be considered novel or cannot be considered to involve an inventive step when the document is taken alone
- \*Y\* document of particular relevance; the claimed invention cannot be considered to involve an inventive step when the document is combined with one or more other such documents, such combination being obvious to a person skilled in the art.
- \*G\* document member of the same patent family

Date of the actual completion of the international search

30 June 2006

Date of mailing of the international search report

11/07/2006

Name and mailing address of the ISA/

European Patent Office, P.B. 5818 Patentlaan 2  
NL - 2280 HV Rijswijk  
Tel. (+31-70) 340-2040, Tx. 31 651 epo nl,  
Fax: (+31-70) 340-3016

Authorized officer

Dindorf, J

## INTERNATIONAL SEARCH REPORT

International application No  
PCT/PL2005/000080

C(Continuation). DOCUMENTS CONSIDERED TO BE RELEVANT		
Category*	Citation of document, with indication, where appropriate, of the relevant passages	Relevant to claim No.
A	FR 2 724 298 A (GRAZIANO ANGELO) 15 March 1996 (1996-03-15) abstract; figure 1 -----	1
A	EP 0 634 151 A (KONINKLIJKE PHILIPS ELECTRONICS N.V; PHILIPS ELECTRONICS N.V) 18 January 1995 (1995-01-18) column 1, line 21 - column 2, line 18 column 3, line 47 - column 4, line 43 column 4, line 53 - column 5, line 4 column 6, line 40 - column 7, line 7 column 8, line 56 - column 9, line 40; figures 2,3 -----	1,2
A	DE 196 28 574 A1 (STEINLE, MICHAEL) 27 March 1997 (1997-03-27) claim -----	2
A	US 5 544 382 A (GIULIANI ET AL) 13 August 1996 (1996-08-13) column 1, line 32 - line 39 -----	3
A	DE 101 12 601 A1 (BRAUN GMBH) 19 September 2002 (2002-09-19) paragraph [0036] - paragraph [0040] -----	1,4,5

## INTERNATIONAL SEARCH REPORT

Information on patent family members

International application No

PCT/PL2005/000080

Patent document cited in search report		Publication date	Patent family member(s)	Publication date
US 2003115694	A1	26-06-2003	AU 2002366881 A1 CN 1628315 A EP 1459238 A1 WO 03054771 A1 JP 2005512708 T	09-07-2003 15-06-2005 22-09-2004 03-07-2003 12-05-2005
US 4450599	A	29-05-1984	BE 893018 A1 CA 1179106 A1 DE 3117160 A1 GB 2097663 A	29-10-1982 11-12-1984 18-11-1982 10-11-1982
DE 3935554	A1	02-05-1991	NONE	
US 6735802	B1	18-05-2004	CN 1386061 A DE 60111844 D1 DE 60111844 T2 WO 0185055 A2 EP 1280476 A2 JP 2003532487 T	18-12-2002 11-08-2005 27-04-2006 15-11-2001 05-02-2003 05-11-2003
FR 2724298	A	15-03-1996	NONE	
EP 0634151	A	18-01-1995	NONE	
DE 19628574	A1	27-03-1997	NONE	
US 5544382	A	13-08-1996	AT 281093 T AU 694557 B2 AU 3498695 A CA 2199970 A1 DE 69533721 D1 DE 69533721 T2 EP 0781105 A2 ES 2231790 T3 JP 10508765 T WO 9608181 A2	15-11-2004 23-07-1998 29-03-1996 21-03-1996 09-12-2004 10-11-2005 02-07-1997 16-05-2005 02-09-1998 21-03-1996
DE 10112601	A1	19-09-2002	NONE	