



- (51) International Patent Classification:
H01L 35/32 (2006.01) H01L 31/052 (2006.01)
- (21) International Application Number:
PCT/DK2012/000060
- (22) International Filing Date:
23 May 2012 (23.05.2012)
- (25) Filing Language:
English
- (26) Publication Language:
English
- (30) Priority Data:
EP11004228 23 May 2011 (23.05.2011) EP
- (71) Applicant (for all designated States except US): **HOLD-
INGSELSKABET TEG AF 2011 ApS** [DK/DK];
Storkevangenget 8, DK-4653 Karise (DK).
- (72) Inventor; and
- (75) Inventor/Applicant (for US only): **LINDEBURG, Niels**
[DK/DK]; Storkevangenget 8, DK-4653 Karise (DK).
- (74) Agent: **OTELLO LAW FIRM**; EngdahlsvejS 12A, 1.,
DK-7400 Herning (DK).

- (81) Designated States (unless otherwise indicated, for every kind of national protection available): AE, AG, AL, AM, AO, AT, AU, AZ, BA, BB, BG, BH, BR, BW, BY, BZ, CA, CH, CL, CN, CO, CR, CU, CZ, DE, DK, DM, DO, DZ, EC, EE, EG, ES, FI, GB, GD, GE, GH, GM, GT, HN, HR, HU, ID, IL, IN, IS, JP, KE, KG, KM, KN, KP, KR, KZ, LA, LC, LK, LR, LS, LT, LU, LY, MA, MD, ME, MG, MK, MN, MW, MX, MY, MZ, NA, NG, NI, NO, NZ, OM, PE, PG, PH, PL, PT, QA, RO, RS, RU, RW, SC, SD, SE, SG, SK, SL, SM, ST, SV, SY, TH, TJ, TM, TN, TR, TT, TZ, UA, UG, US, UZ, VC, VN, ZA, ZM, ZW.
- (84) Designated States (unless otherwise indicated, for every kind of regional protection available): ARIPO (BW, GH, GM, KE, LR, LS, MW, MZ, NA, RW, SD, SL, SZ, TZ, UG, ZM, ZW), Eurasian (AM, AZ, BY, KG, KZ, RU, TJ, TM), European (AL, AT, BE, BG, CH, CY, CZ, DE, DK, EE, ES, FI, FR, GB, GR, HR, HU, IE, IS, IT, LT, LU, LV, MC, MK, MT, NL, NO, PL, PT, RO, RS, SE, SI, SK, SM, TR), OAPI (BF, BJ, CF, CG, CI, CM, GA, GN, GQ, GW, ML, MR, NE, SN, TD, TG).

Published:
— with international search report (Art. 21(3))

[Continued on next page]

(54) Title: POWER GENERATOR

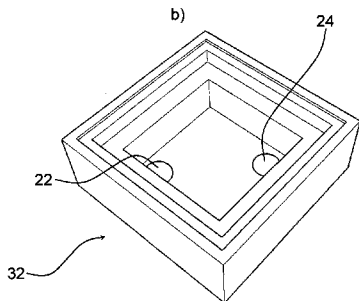
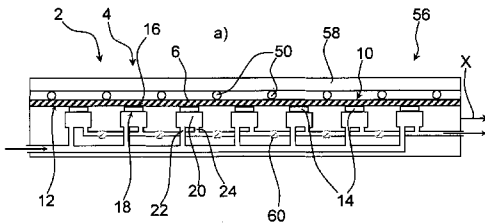


Fig. 2

(57) Abstract: A power generator (2) is disclosed. The power generator (2) comprises: - a heat absorbing member (6) having a heat absorbing side (10) and a heat releasing side (12). The power generator (2) comprises a plurality of thermo electric generators (14) each having a cooling side (18) and a heat receiving side (16), where the heat receiving sides (16) of the thermo electric generators (14) are attached to and being in thermal contact with the heat releasing side (12) of the heat absorbing member (6). The invention also discloses a method to manufacture a power generator (2) comprising a heat absorbing member (6) having a heat absorbing side (10) and a heat releasing side (12).

WO 2012/159634 A3



— *before the expiration of the time limit for amending the claims and to be republished in the event of receipt of amendments (Rule 48.2(h))*

(88) Date of publication of the international search report:
11 April 2013

INTERNATIONAL SEARCH REPORT

International application No
PCT/DK2012/000060

A. CLASSIFICATION OF SUBJECT MATTER
INV. H01L35/32 H01L31/052
ADD.
According to International Patent Classification (IPC) or to both national classification and IPC

B. FIELDS SEARCHED
Minimum documentation searched (classification system followed by classification symbols)
H01L
Documentation searched other than minimum documentation to the extent that such documents are included in the fields searched

Electronic data base consulted during the international search (name of data base and, where practicable, search terms used)
EPO-Internal, WPI Data

C. DOCUMENTS CONSIDERED TO BE RELEVANT

Category*	Citation of document, with indication, where appropriate, of the relevant passages	Relevant to claim No.
X	US 4 106 952 A (KRAVITZ JEROME H) 15 August 1978 (1978-08-15) abstract; figure 1 column 2, line 1 - column 4, line 15 -----	1-16
X	WO 2010/053997 A1 (HU HAORAN [US]; EATON CORP [US]) 14 May 2010 (2010-05-14) abstract; figures 1,8 paragraphs [0036], [0037] paragraph [0085] paragraphs [0114] - [0115] -----	1,2, 5-11, 14-16
X	US 2011/048489 A1 (GABRIEL KARIM M [US] ET AL) 3 March 2011 (2011-03-03) abstract; figure 2 paragraphs [0036] - [0039] ----- -/--	1-10, 14-16

Further documents are listed in the continuation of Box C.

See patent family annex.

* Special categories of cited documents :

"A" document defining the general state of the art which is not considered to be of particular relevance	"T" later document published after the international filing date or priority date and not in conflict with the application but cited to understand the principle or theory underlying the invention
"E" earlier application or patent but published on or after the international filing date	"X" document of particular relevance; the claimed invention cannot be considered novel or cannot be considered to involve an inventive step when the document is taken alone
"L" document which may throw doubts on priority claim(s) or which is cited to establish the publication date of another citation or other special reason (as specified)	"Y" document of particular relevance; the claimed invention cannot be considered to involve an inventive step when the document is combined with one or more other such documents, such combination being obvious to a person skilled in the art
"O" document referring to an oral disclosure, use, exhibition or other means	"&" document member of the same patent family
"P" document published prior to the international filing date but later than the priority date claimed	

Date of the actual completion of the international search 22 January 2013	Date of mailing of the international search report 28/01/2013
--	--

Name and mailing address of the ISA/ European Patent Office, P.B. 5818 Patentlaan 2 NL - 2280 HV Rijswijk Tel. (+31-70) 340-2040, Fax: (+31-70) 340-3016	Authorized officer Deconinck, Eric
--	---

INTERNATIONAL SEARCH REPORT

International application No

PCT/DK2012/000060

C(Continuation). DOCUMENTS CONSIDERED TO BE RELEVANT		
Category*	Citation of document, with indication, where appropriate, of the relevant passages	Relevant to claim No.
X	US 2009/301539 A1 (WATTS PHILLIP C [US]) 10 December 2009 (2009-12-10) abstract; figures 2-4 paragraphs [0040] - [0051] -----	1,2,5-8, 11,14-16

INTERNATIONAL SEARCH REPORT

Information on patent family members

International application No

PCT/DK2012/000060

Patent document cited in search report	Publication date	Patent family member(s)	Publication date
US 4106952	A	15-08-1978	EP 0006907 A1 23-01-1980
			US 4106952 A 15-08-1978
			WO 7900140 A1 22-03-1979

WO 2010053997	A1	14-05-2010	CN 102272940 A 07-12-2011
			EP 2345087 A1 20-07-2011
			JP 2012508466 A 05-04-2012
			US 2011209744 A1 01-09-2011
			WO 2010053997 A1 14-05-2010

US 2011048489	A1	03-03-2011	NONE

US 2009301539	A1	10-12-2009	BR PI0915029 A2 25-12-2012
			CN 102112821 A 29-06-2011
			CN 102881816 A 16-01-2013
			EP 2310762 A1 20-04-2011
			EP 2397790 A2 21-12-2011
			US 2009301539 A1 10-12-2009
			US 2009301541 A1 10-12-2009
			US 2009301687 A1 10-12-2009
			WO 2009152218 A1 17-12-2009
